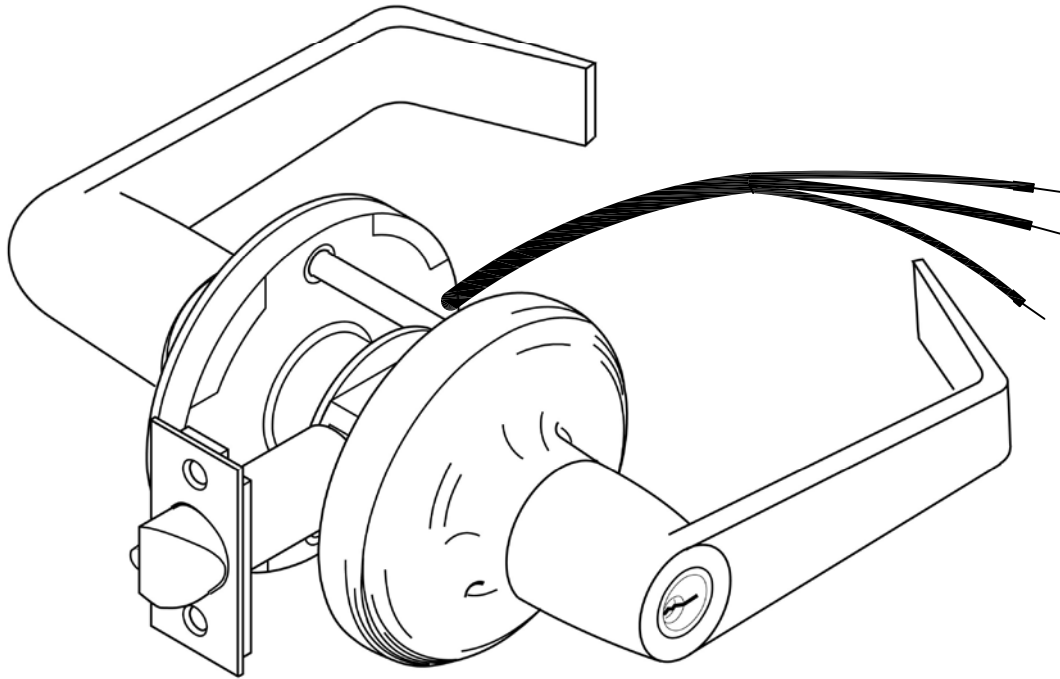


II-C1500-6

INSTALLATION INSTRUCTIONS

SARGENT 10 SERIES CYLINDRICAL AE (AUTHORIZED EGRESS) MONITORING.



TERMINATE THE WIRES FROM LOCK TO THE ELECTRIC POWER TRANSFER DEVICE USING 22 AWG WIRE. USE PROPER CRIMP SPLICES OR WIRE NUTS FOR TERMINATING CONNECTIONS.

THE SARGENT 3 - WIRE AE MODIFICATION UTILIZES A UL RECOGNIZED SPDT SWITCH PROVIDING A CHOICE OF:

- **NORMALLY CLOSED OPERATION USE THE YELLOW (COM.) & GRAY WIRES**
- **NORMALLY OPEN OPERATION USE THE YELLOW (COM.) & RED WIRES**

ELECTRICAL SPECIFICATIONS

- **VOLTAGE 250 VAC**
- **CURRENT RATING: 1 AMP**
- **WIRE LEADS: 22 AWG**

