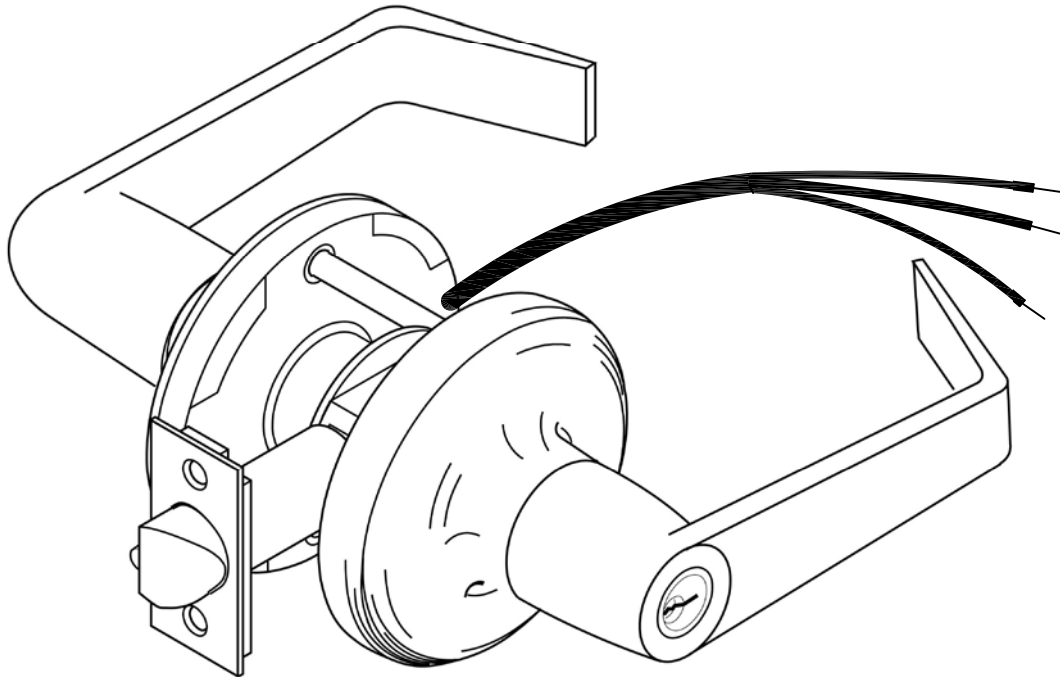


# II-C1500-5

## INSTALLATION INSTRUCTIONS

CORBIN RUSSWIN CL3300 SERIES  
CYLINDRICAL AE (AUTHORIZED EGRESS) MONITORING.



TERMINATE THE WIRES FROM LOCK TO THE ELECTRIC  
POWER TRANSFER DEVICE USING 22 AWG WIRE. USE PROPER CRIMP  
SPLICES OR WIRE NUTS FOR TERMINATING CONNECTIONS.

3 - WIRE AE MODIFICATION UTILIZES A UL RECOGNIZED  
SPDT SWITCH PROVIDING A CHOICE OF:

- NORMALLY CLOSED OPERATION USE THE YELLOW (COM.) & GRAY WIRES
- NORMALLY OPEN OPERATION USE THE YELLOW (COM.) & RED WIRES

### ELECTRICAL SPECIFICATIONS

- 125 VAC @ 3 AMP MAXIMUM
- 30 VDC @ 2 AMP MAXIMUM
- WIRE LEADS: 22 AWG

