



PRODUCT FEATURES

- Fully integrated delay and detection features for fast installation of delayed egress system
- Easily adjustable door movement detection from 1/8" [3.2mm] to 1" [25mm]
- Bracket mounted for ease of installation
- Automatic dual voltage - no field adjustment required
- Permits free egress in emergency situations
- Efficient, low power usage
- Compact 12-1/2" length can be used with most door closers
- BondSTAT and Integrated Door Position Switch (DPS) included
- Easily visible LEDs indicate status on secure side of door
- Advanced intelligent microprocessors provide alarm options and trainable door movement detection to minimize false alarms
- Configurable settings include*
 - Nuisance alarm times - 0 to 3 seconds
 - Irrevocable delay times - 15 or 30 seconds - user selectable
 - External bypass delay times - 0, 5, 10, or 15 seconds
 - Post alarm reminder - user selectable
 - Bypass expiration alarm - user selectable
 - Manual relock or delayed automatic relock (BOCA) - user selectable
- External alarm relay isolated dry contact (1A at 24VDC)
- External reset
- All ferrous metal surfaces plated for durability

- Instant release circuit - no residual magnetism
- MagnaCare Lifetime Replacement No Fault Warranty

PRODUCT OPTIONS

- iEXDa version allows alarm initiation via an external panic device
- iMXDa-CA version is CAL Fire BML Listed
- iMXDa-CH version is Chicago compliant
- iMXDa-H version for HUGS® Infant Protection System

SPECIFICATIONS

- CAN/ULC-S533 Listed
- ANSI/UL 294 Listed
- NFPA 101
- CSFM - California State Fire Marshal Approved (iMXDa-CA only)
- Patents: 5,758,913; 6,609,738; 8,094,017
- Patents Pending

Holding Force:
1200lbs [544kg]

Dimensions:
MagnaLock: 12-1/2"L x 2"D x 3-5/8"H
Strike: 8-15/16"L x 5/16"D x 2-3/4"H

Electrical:
370mA max at 12VDC
270mA max at 24VDC

Operating Temperature:
+32 to +104F [0 to +40C]
Indoor use only

Shipping Weight:
15lbs [6.80kg]

Finishes:
US32D/630 - Satin Stainless Steel Finish

*Some settings are non-adjustable on iMXDa-CA and -CH models to comply with local codes.



IMXDA

Integrated Movement Exit Delay with Advanced Technology

MagnaLock® Reliability with All-In-One Exit Delay

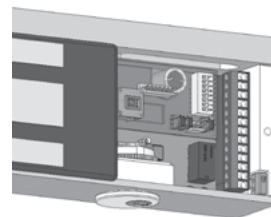
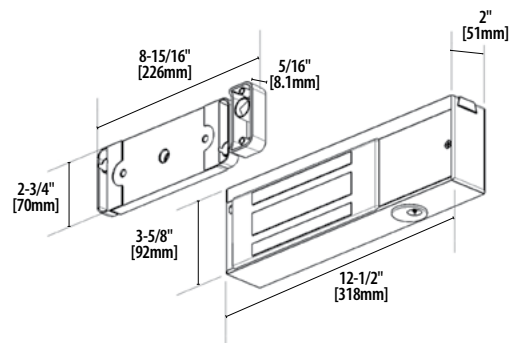
Prevent losses at emergency exits with iMXDa. An attempted exit initiates an alarm and a brief delay before the lock releases, giving personnel time to respond before an exit occurs. Protect memory care wards, hospitals, dormitories, airports, child care facilities and retail or warehouse environments. Used on out-swing doors, installation requires no alteration or replacement of existing fire-rated or non-fire-rated latching hardware.

MODELS

PART # | Description

IEXDA	Integrated Delay Egress External Initiate
IMXDA	Integrated Motion Exit Delay System
IMXDA-CA	Integrated Motion Exit Delay System - California*
IMXDA-CH	Integrated Motion Exit Delay System - Chicago
IMXDA-H	iMXDa for HUGS Infant Protection System

*Denote 15 or 30 seconds on order form



DUAL VOLTAGE

SECURITRON®

ASSA ABLOY