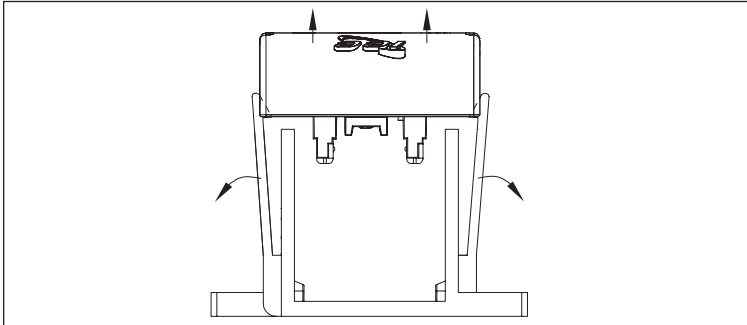


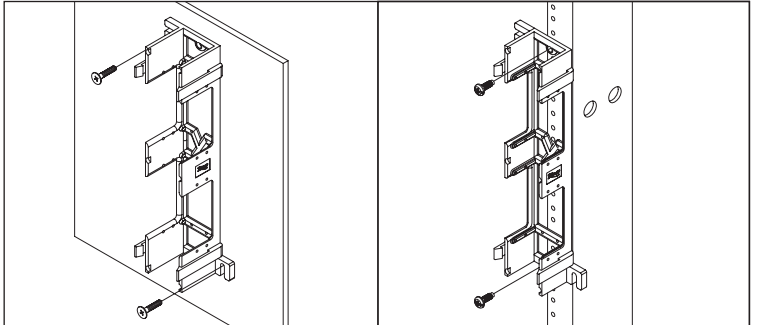


12-Port CAT 6 & CAT 5e Vertical Data Patch Panels

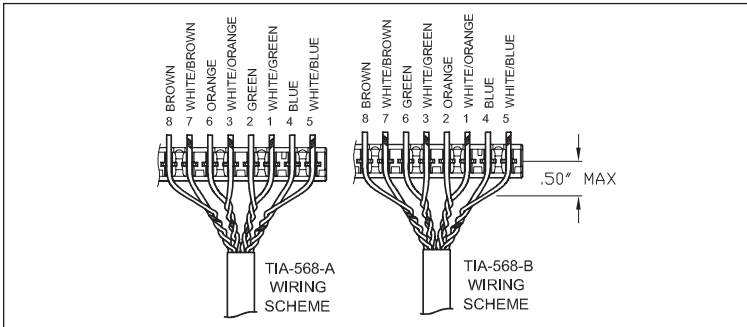
INSTALLATION INSTRUCTIONS



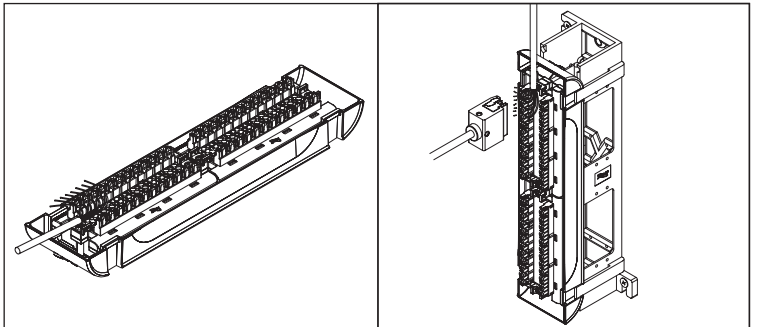
Step 1. Detach the mounting bracket from the patch panel.



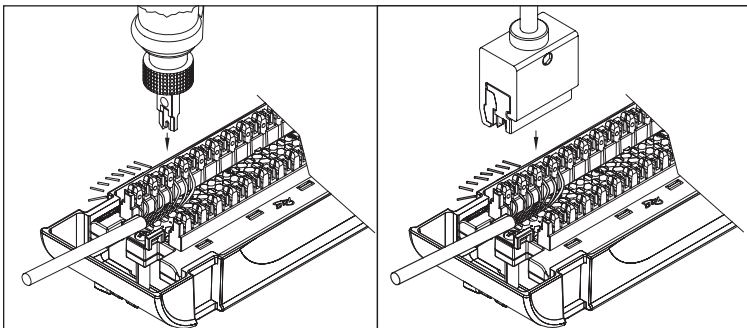
Step 2. Mount the bracket to the backboard or to a rack with EIA-310-D mounting hole pattern. Screws sold separately.



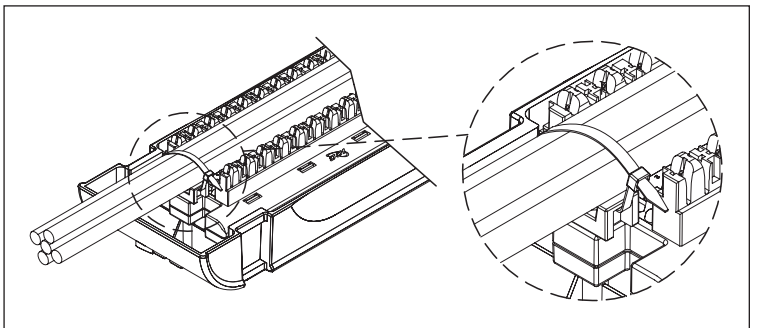
Step 3. Choose between TIA-568-A or TIA-568-B wiring configuration.



Step 4. Set the patch panel on a flat surface or mount in reverse on the bracket and terminate the conductors.

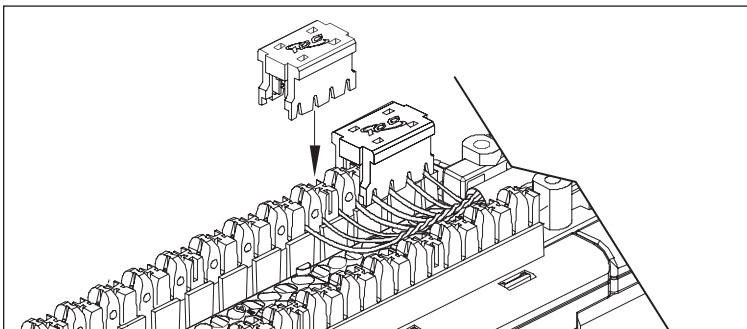


Step 5A. Single blade termination. **Step 5B.** 4-Pair termination.

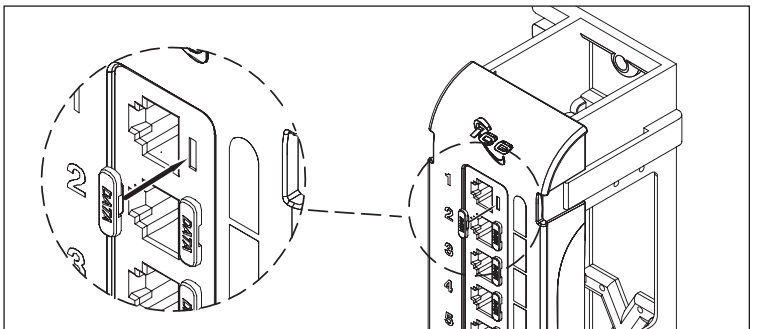


Step 6. Route cables through the top or bottom of the patch panel and secure the cable bundles with supplied nylon cable ties.

OPTIONAL ACCESSORIES



Optional. Use retention cap for extra protection or to prevent from dust.



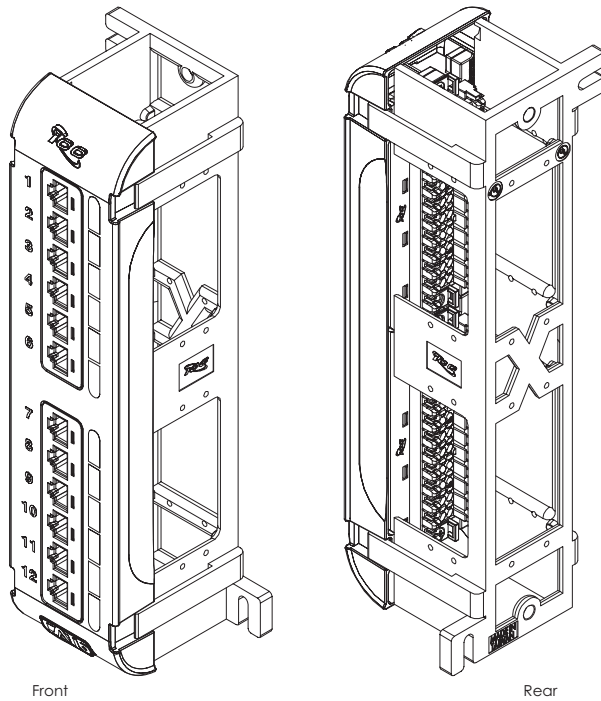
Optional. Identify each port with colored icons.

888-ASK-4ICC

csr@icc.com

icc.com

12-Port CAT 6 & CAT 5e Vertical Data Patch Panels

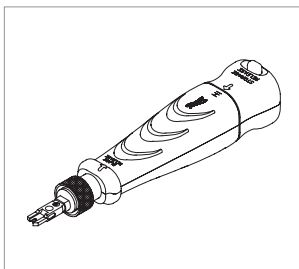


Item No.	Description	No. of Ports	Height (H)	Cable Ties
ICMPP12V60	CAT 6	12	10"	3
ICMPP12V5E	CAT 5e	12	10"	3

F E A T U R E S & B E N E F I T S

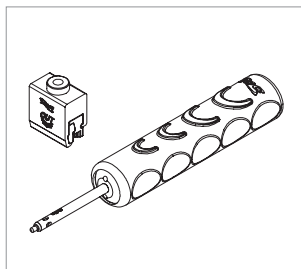
- Exceeds ANSI/TIA/EIA-568 connecting hardware requirements
- 110 IDC termination for reduced installation time and improved wire retention
- Meets FCC Part 68, 50 micro inch gold plating on all modular contacts for corrosion resistance and multiple insertions
- UL listed

O P T I O N A L A C C E S S O R I E S



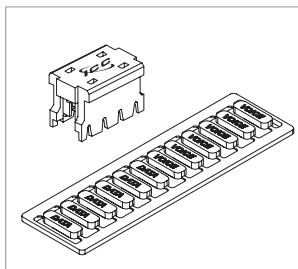
Single Blade Punch-Down Tool
ICACSPDT00

- Designed for both 110-type IDC & 66 single-wire termination
- Both blades included
- Adjustable impact settings
- Comfortable grip



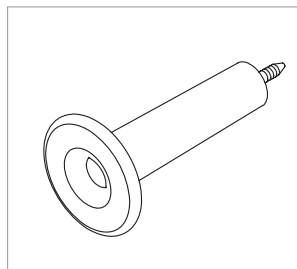
50kgs 110 Punch-Down Tool
ICACSPDT04 Tool Handle
ICACS04PHS 4-Pair Tool Head

- For use with 110 wiring blocks & patch panels
- Anti-slip rubber grip
- Tool and head sold separately



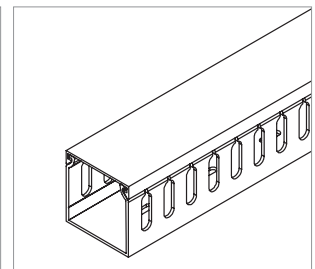
Retention Caps & Color Icons
IC110TC450 Caps, 50 pcs
• Secures terminated wires

- ICMPPSC1xx*** Voice & Data, 6 ea
- ICMPPICDxx*** Data, 12 pcs
- ICMPPICVxx*** Voice, 12 pcs
- Color icons for identifying ports
- Each set includes 12 icons



Cable Management Spools
ICACSWDS20 With screw
ICACSWDS10 Without screw

- Retains and guides cables
- 10 pcs./Pack



Wall Ducts
ICRWL226xx* 1 ft., 2"W x 2"H
ICRWL246xx* 1 ft., 2"W x 4"H

- Slotted style design for cables
- Various exit and entry locations
- Includes slide-on cover
- Order by 6 ft. increments

888-ASK-4ICC

csr@icc.com

icc.com