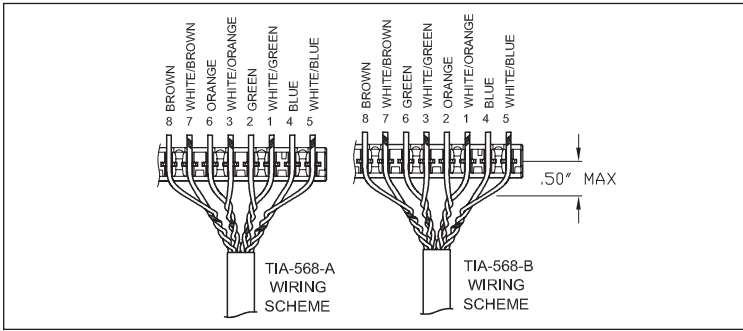


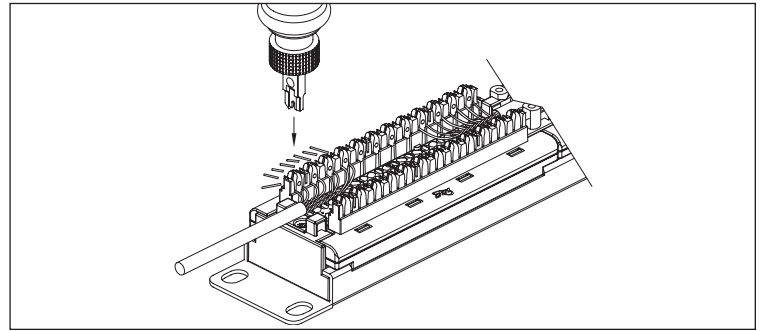


CAT 6 & CAT 5e Data Patch Panels

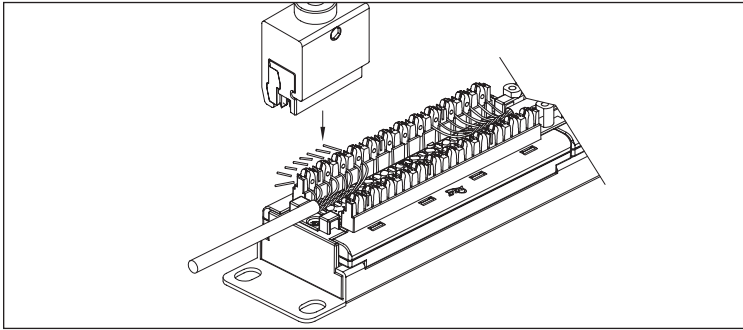
INSTALLATION INSTRUCTIONS



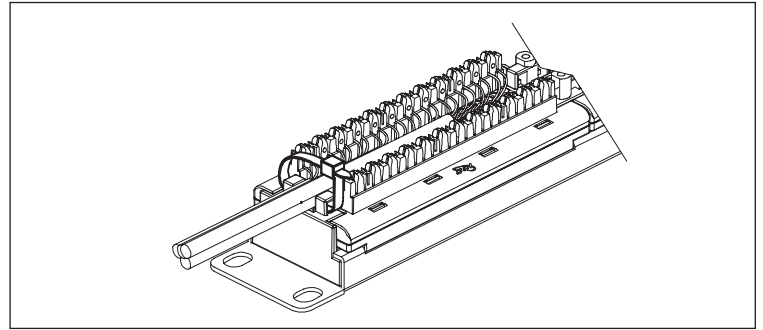
Step 1. Choose between TIA-568-A or TIA-568-B wiring configuration.



Step 2A. Terminate conductors using a single blade punch down tool.

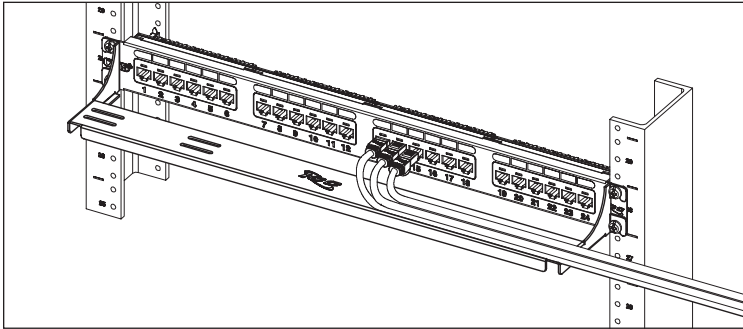


Step 2B. Terminate conductors using a four pair punch down tool.

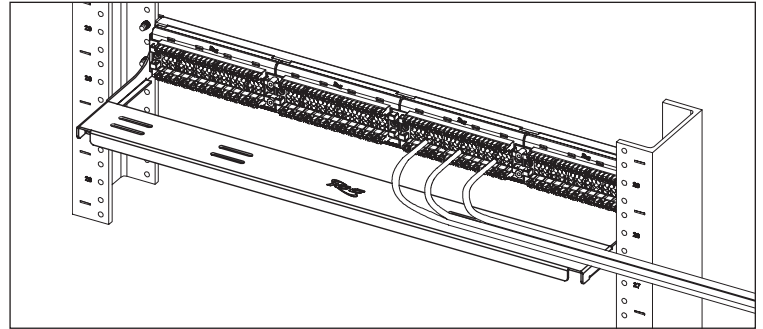


Step 3. Use supplied cable ties to secure cable bundles.

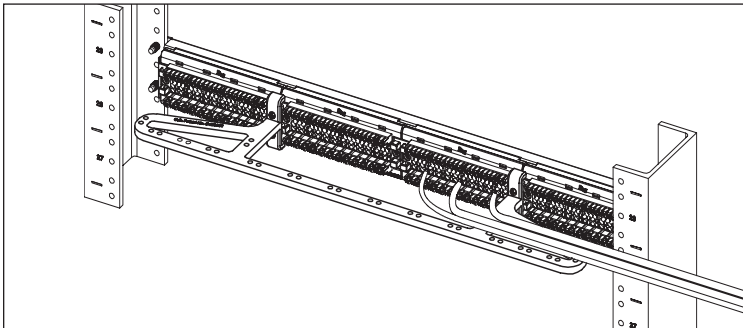
OPTIONAL ACCESSORIES



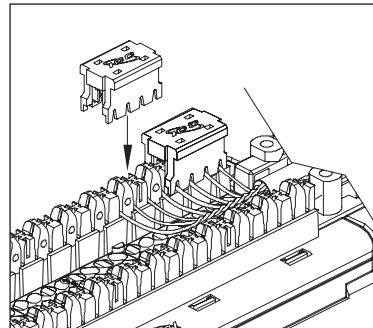
Optional. Install cable management in front of the patch panel.



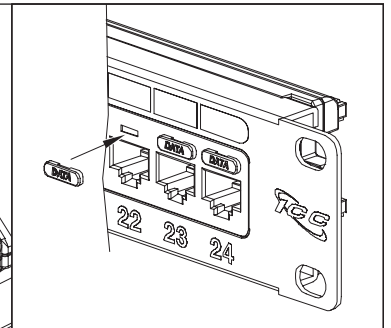
Optional. Install metal cable management panel in rear of the patch panel.



Optional. Install plastic cable management bar in rear of the patch panel.



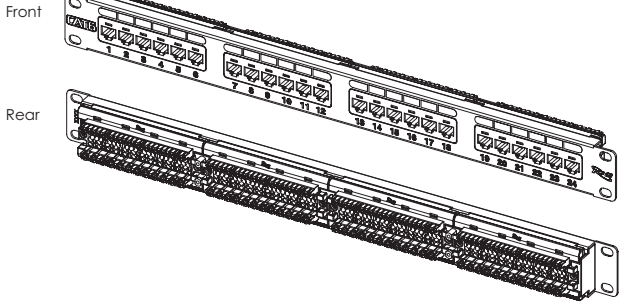
Optional. Install retention cap onto IDC.



Optional. Identify each port with colored icons.

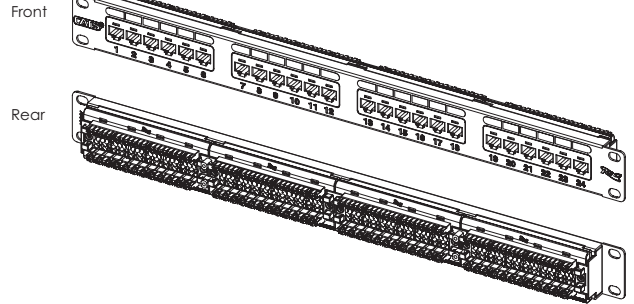
CAT 6 & CAT 5e Data Patch Panels

CAT 6

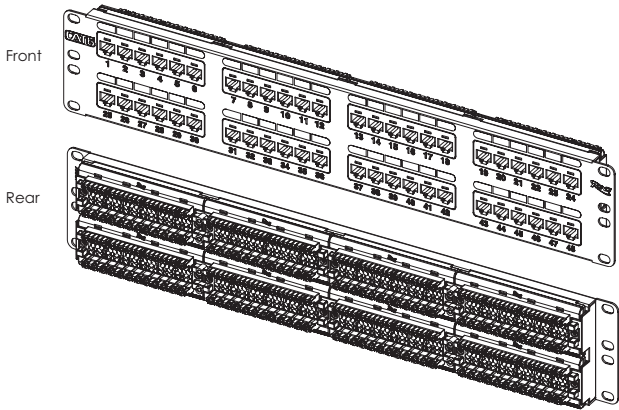


Item No.	Description	No. of Ports	Height (H)	Cable Ties	#12-24 Screws
ICMPP02460	CAT 6	24	1.75"	5	4

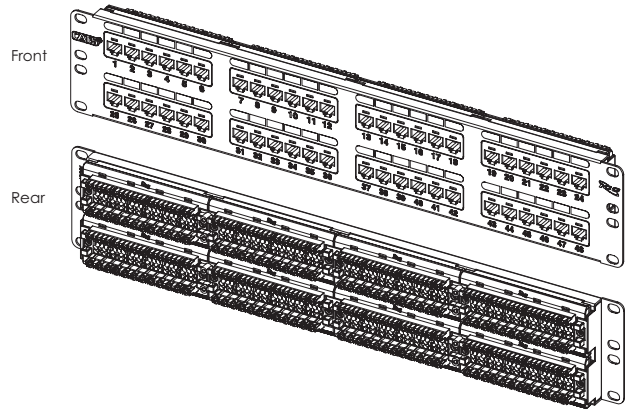
CAT 5e



Item No.	Description	No. of Ports	Height (H)	Cable Ties	#12-24 Screws
ICMPP0245E	CAT 5e	24	1.75"	5	4



Item No.	Description	No. of Ports	Height (H)	Cable Ties	#12-24 Screws
ICMPP04860	CAT 6	48	3.50"	10	8

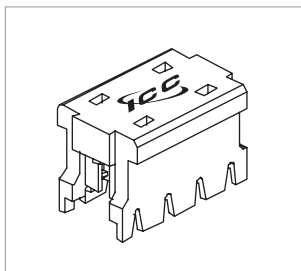


Item No.	Description	No. of Ports	Height (H)	Cable Ties	#12-24 Screws
ICMPP0485E	CAT 5e	48	3.50"	10	8

F E A T U R E S & B E N E F I T S

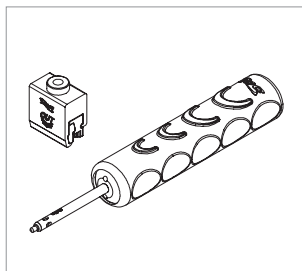
- Enhanced crosstalk cancellation and reduced return loss for high bandwidth network requirements
- Exceeds ANSI/TIA-568 connecting hardware Component Rating requirements
- True 110 IDC termination for reduced installation time and improved wire retention
- Meets FCC Part 68, 50 micro inch gold plating on all modular contacts for corrosion resistance and multiple insertions durability
- UL listed

O P T I O N A L A C C E S S O R I E S



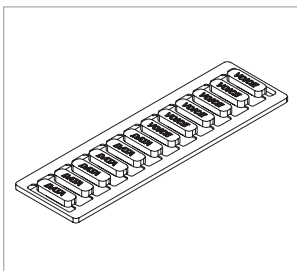
Retention Caps
IC110TC450 50 pcs

- Protects wires and prevents debris
- Works with patch panels



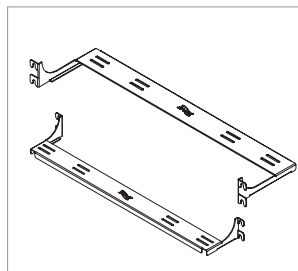
50kgs 110 Punch-Down Tool
ICACSPDT04 Tool Handle
ICACS04PHS 4-Pair Tool Head

- For use with 110 wiring blocks & patch panels
- Anti-slip rubber grip
- Tool and head sold separately



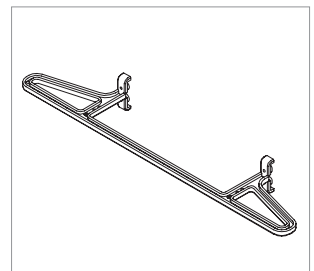
Patch Panel Color Icons
ICMPPSC1xx* Voice & Data, 6 ea
ICMPPICDxx* Data, 12 pcs
ICMPPICVxx* Voice, 12 pcs

- Each set includes 12 icons
- For port identification



Extended Bracket Panels
ICCMSFCMRP Front, 3" Deep
ICCMSRCMRP Rear, 5" Deep

- Provides cable support
- Strong metal construction
- No additional rack mount spaces used



Cable Management Bar
ICMPP25CMB

- Mountable on the back of 110-type patch panel for rear cable support
- ABS plastic for durability