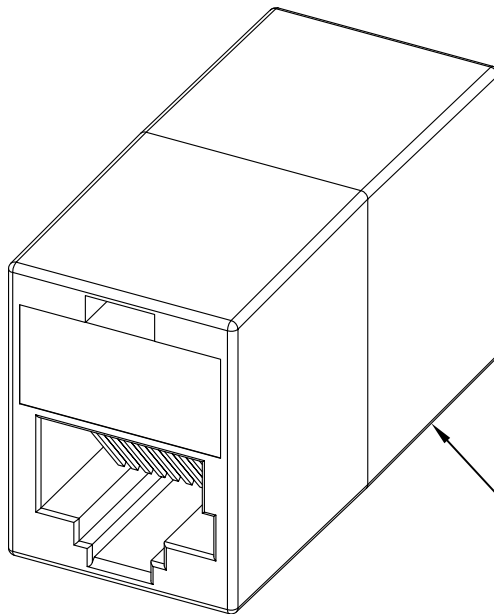


8P8C Keyed RJ-45 Voice Modular Coupler, PIN 1-1

PRODUCT SPECIFICATION

Package includes:

- A. 8P8C Keyed RJ-45 Voice Modular Coupler, 1 pc



8P8C Keyed RJ-45
Voice Modular Coupler

Features and Benefits:

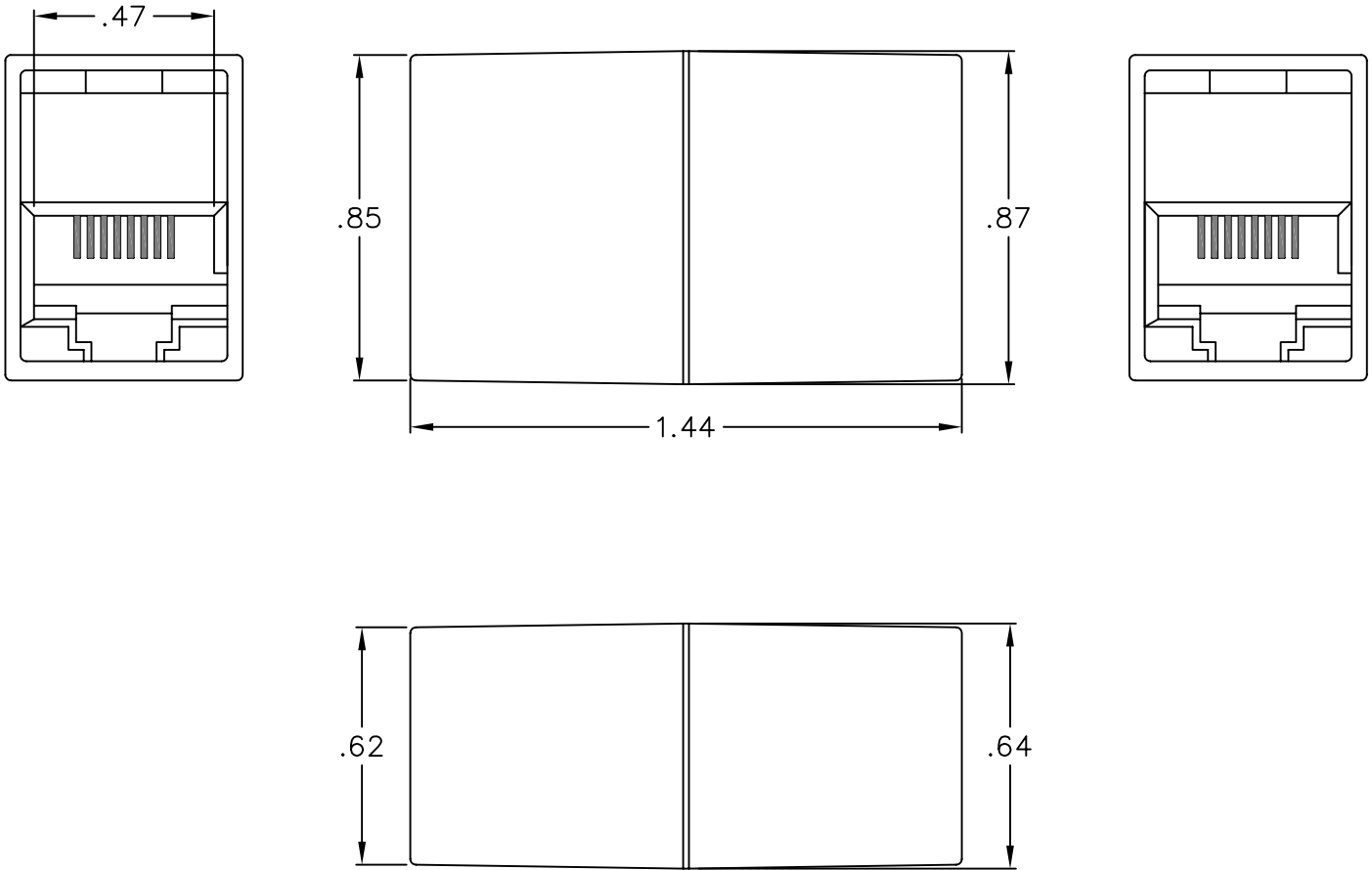
- Provides pin 1-1 keyed RJ-45 voice coupling
- Used with ICLC2, ICLC4, ICLC6, and ICLC8 line cords
- Available in ivory
- UL listed

MODULAR COUPLER, VOICE 8P8C KEYED, PIN 1-1

| | | | |
|----------|------------|----------|---|
| ITEM NO. | ICMA3508DR | REV. | A |
| DWG NO. | PSMA3508DR | PAGE NO. | 1 |



CUSTOMER CARE / TECHNICAL SUPPORT * CSR@ICC.COM / 888-ASK-4-ICC (275-4422) * 14700 Alondra Blvd., La Mirada, CA 90638 * www.icc.com



NOTE: UNLESS OTHERWISE SPECIFIED

1. MATERIAL & FINISH:

- A. HOUSING: ABS, UL 94V-0
- B. COLOR: IVORY
- C. CONTACT: PHOSPHOR BRONZE GOLD PLATING
OVER 100 MICRO INCH NICKLE
- D. GOLD PLATING: 1.27 MICRON/50 MICRO INCH MIN

WIRING DIAGRAM :

| 8 CONDUCTORS | |
|--------------|-----|
| PIN | PIN |
| 1 | 1 |
| 2 | 2 |
| 3 | 3 |
| 4 | 4 |
| 5 | 5 |
| 6 | 6 |
| 7 | 7 |
| 8 | 8 |

UL US FILE NO. 125268

MODULAR COUPLER, VOICE 8P8C KEYED, PIN 1-1

| | | | |
|----------|------------|----------|---|
| ITEM NO. | ICMA3508DR | REV. | A |
| DWG NO. | PSMA3508DR | PAGE NO. | 2 |



CUSTOMER CARE / TECHNICAL SUPPORT * CSR@ICC.COM / 888-ASK-4-ICC (275-4422) * 14700 Alondra Blvd., La Mirada, CA 90638 * www.icc.com