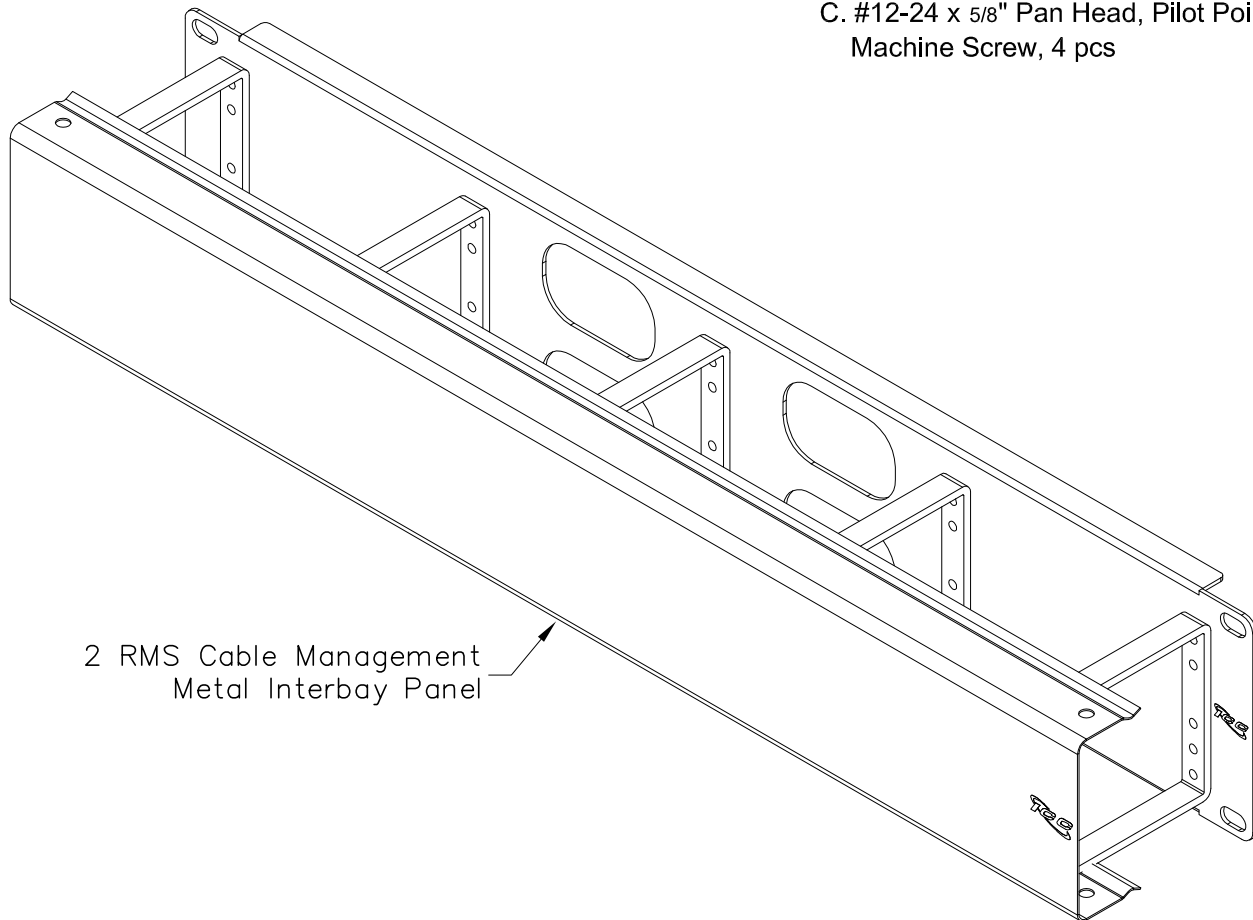


# Cable Management Metal Interbay Panel w/Cover, 2 RMS

## PRODUCT SPECIFICATION

### Package includes:

- A. 2 RMS Cable Management Metal Interbay Panel, 1 pc
- B. Cover, 1 pc
- C. #12-24 x 5/8" Pan Head, Pilot Point Machine Screw, 4 pcs



2 RMS Cable Management Metal Interbay Panel

### Features and Benefits:

- Provides flexibility for front cable management with a neat and clean appearance
- Designed with 5 horizontal rings for patch cord organization
- Designed to fit all standard 19" racks and cabinets
- Panel openings for rear cable access
- 2 rack mount space (RMS)
- Used with all ICCMS racks and brackets

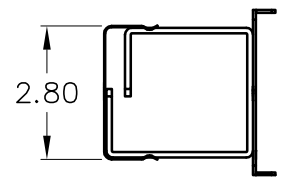
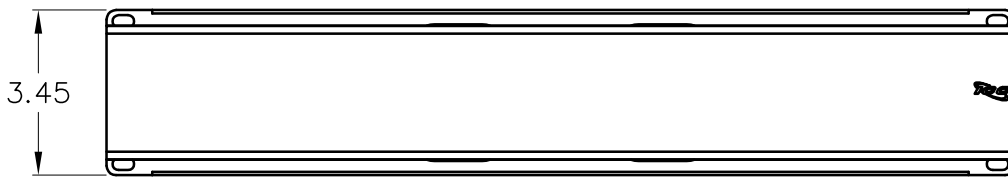
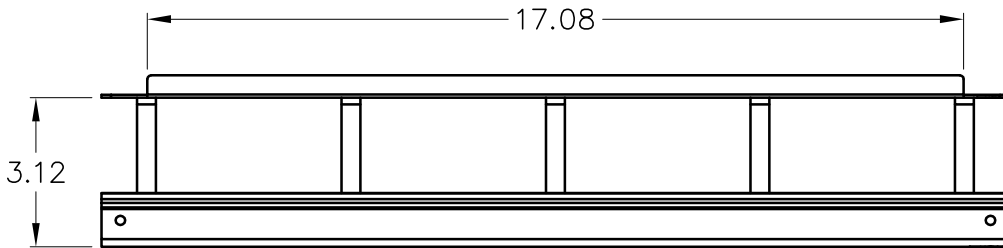
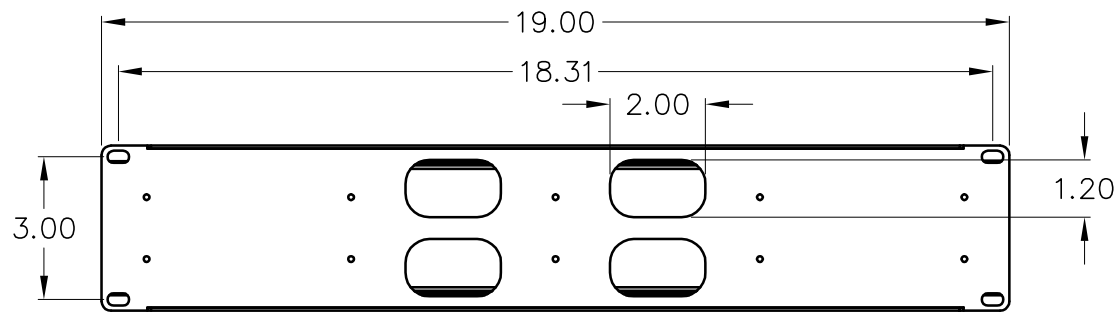
### PANEL, CABLE MGMT METAL RING & COVER, 2U

ITEM NO.	ICCMSCMPK2
DWG NO.	PSCMSCMPK2

REV.	A
PAGE NO.	1




CUSTOMER CARE / TECHNICAL SUPPORT \* CSR@ICC.COM / 888-ASK-4-ICC (275-4422) \* 14700 Alondra Blvd., La Mirada, CA 90638 \* www.icc.com



**NOTE: UNLESS OTHERWISE SPECIFIED**

- 1. MATERIAL:
  - A. PANEL: 16 GA CRS
  - B. RING: 11 GA CRS, 3.0" X 2.7" X .125" STRIP
  - C. COVER: 24 GA CRS
- 2. SURFACE FINISH: BLACK TEXTURED POWDER COAT

<b>PANEL, CABLE MGMT METAL RING &amp; COVER, 2U</b>		 PremiumProducts ProvenPerformance CompetitivePrices
ITEM NO.	ICCMSCMPK2	
DWG NO.	PSCMSCMPK2	PAGE NO. 2

CUSTOMER CARE / TECHNICAL SUPPORT \* CSR@ICC.COM / 888-ASK-4-ICC (275-4422) \* 14700 Alondra Blvd., La Mirada, CA 90638 \* www.icc.com