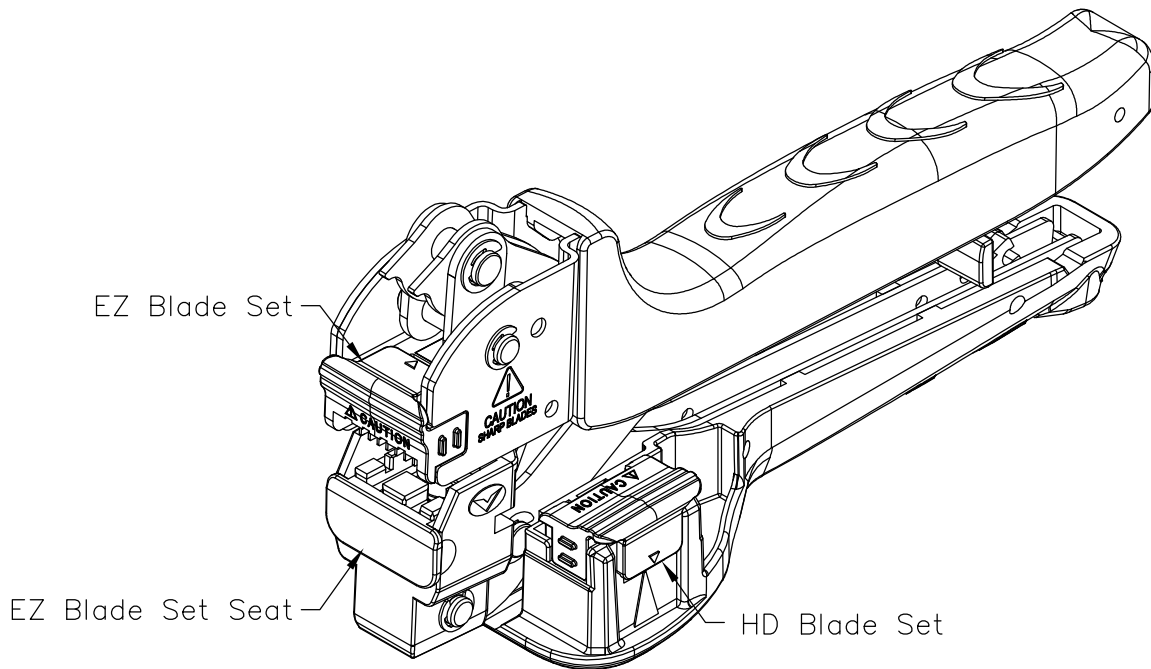


# JackEasy Termination Tool

## PRODUCT SPECIFICATION

### Package includes:

- A. JackEasy Termination Tool, 1 pc
- B. EZ Blade Set, 1 pc
- C. EZ Blade Set Seat, 1 pc
- D. HD Blade Set, 1 pc



### Features and Benefits:

- Designed with durable steel body.
- Terminates and cuts 4-pairs of UTP wires simultaneously making installations faster and easier.
- Swappable termination heads to accommodate both HD and EZ style modules.
- Ergonomic design allowing a comfortable fit throughout installations.
- Capable of termination on flat surfaces such as walls or floor.

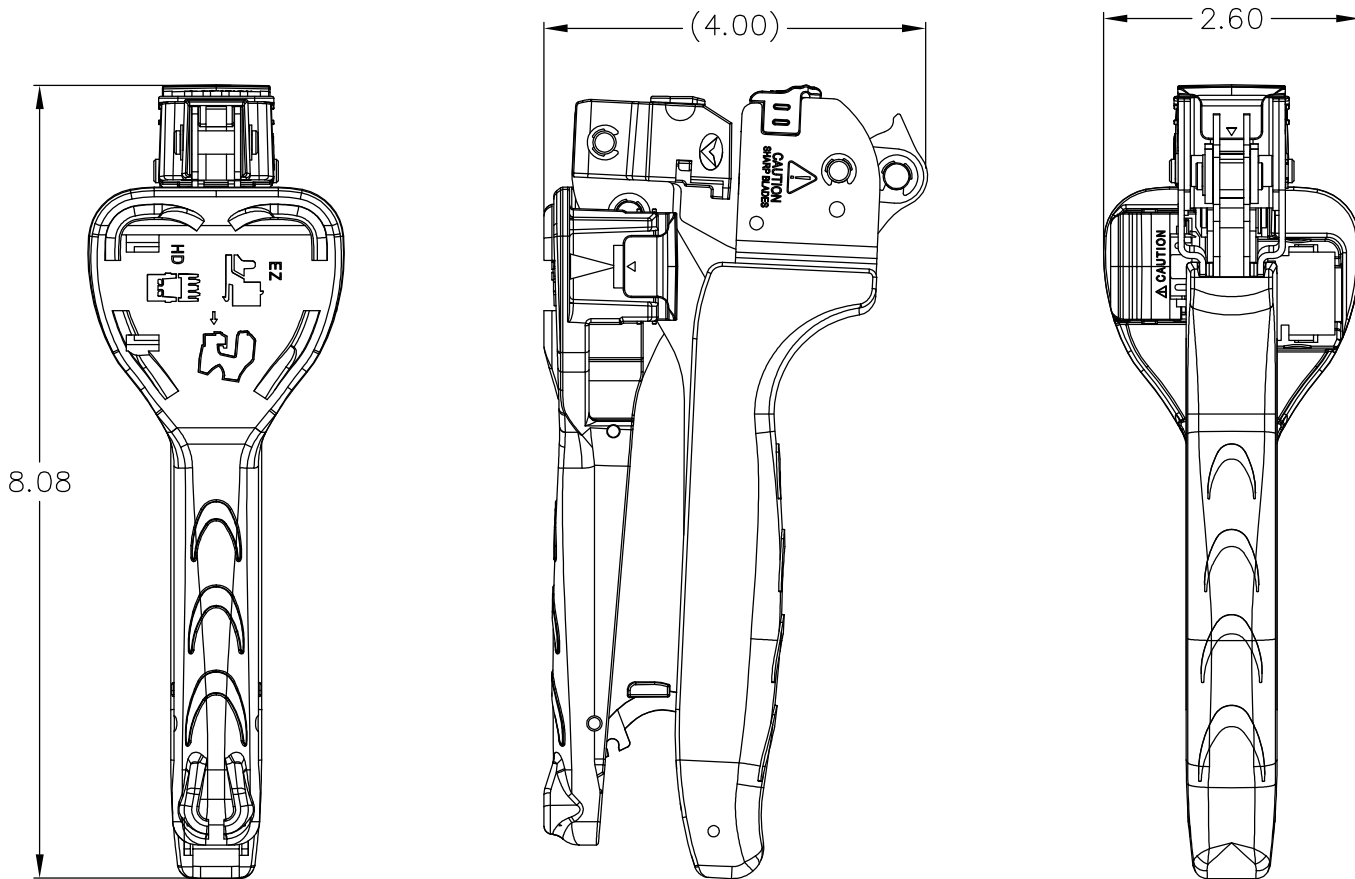
### TOOL, JACKEASY, EZ/HD

ITEM NO.	ICACSPDTEH
DWG NO.	PSACSPDTEH

REV.	C
PAGE NO.	1



CUSTOMER CARE / TECHNICAL SUPPORT \* CSR@ICC.COM / 888-ASK-4-ICC (275-4422) \* 14700 Alondra Blvd., La Mirada, CA 90638 \* www.icc.com



**NOTE: UNLESS OTHERWISE SPECIFIED**

**1. MATERIAL:**

- A. FRAME: 16GA CRS,  
FINISH: BLACK POWDER COAT
- B. CUTTER: SK-5
- C. EZ BLADE SET:  
- NYLON+FIBER, BLUE  
EZ BLADE SET SEAT:  
- PC+FIBER, BLUE
- D. HD BLADE SET:  
- NYLON+FIBER, RED
- E. HANDLES:  
- BASE GRIP: PC+FIBER, BLACK  
- GRIP: PP, BLACK

**2. HARDNESS: BLADE: HRC 50-60**

**TOOL, JACKEASY, EZ/HD**

ITEM NO. ICACSPDTEH  
DWG NO. PSACSPDTEH

REV. C  
PAGE NO. 2



CUSTOMER CARE / TECHNICAL SUPPORT \* CSR@ICC.COM / 888-ASK-4-ICC (275-4422) \* 14700 Alondra Blvd., La Mirada, CA 90638 \* www.icc.com