

4-Pair Punchdown Tool



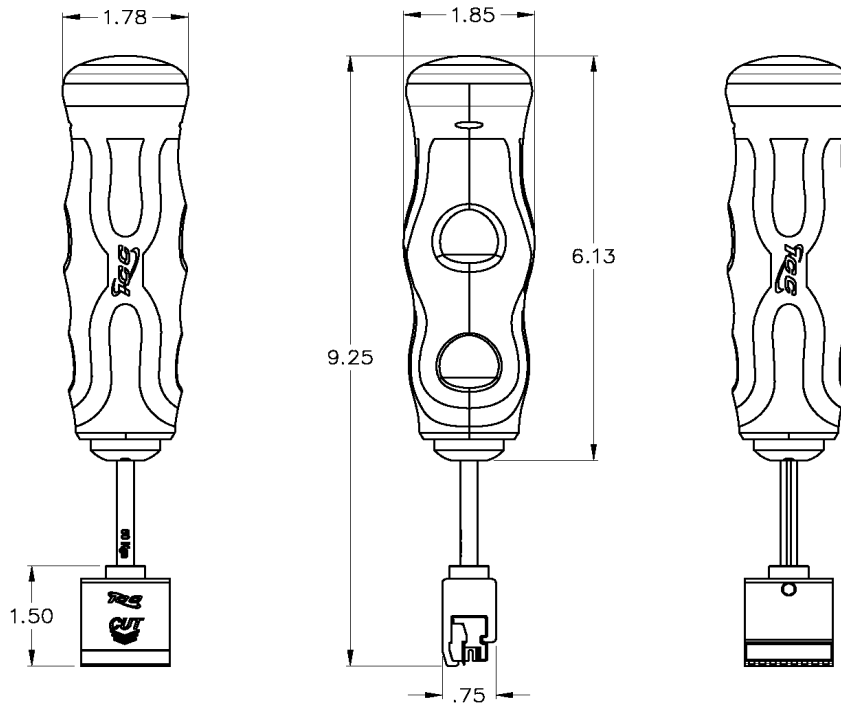
Package Includes

A. 4-Pair Punchdown Tool, 1 pc

Features and Benefits

- Designed to provide a maximum of 110 lbs (50 kgs) impact in order to terminate 4-pairs of wires simultaneously making installations faster and easier.
- Tip of the shaft engages the blade set eliminating the possibility of blade misalignment.
- Ergonomic design allowing a comfortable fit throughout installations.
- Anti-slip rubber with raised grip design preventing hand slippage during use.
- Cushioned rubber handle helps absorb impact to the hand.
- Can be used for seating and terminating wires.
- Compatible with ICC's voice, CAT 5e, CAT 6 Patch Panels and CAT 5e, CAT 6 110 wiring blocks.

Specifications



NOTE: UNLESS OTHERWISE SPECIFIED

HANDLE

1. MATERIAL:
 - A. BODY: ALUMINUM 6061-T6
 - B. INTERNAL PART: S45C
 - C. HANDLE: THERMO PLASTIC RUBBER, BLUE
 - D. FINISH: MATTED TEXTURE
2. MECHANICAL: IMPACT: 50 KGS (FOR 24-22 AWG WIRES)

TERMINATION HEAD

1. MATERIAL:
 - A. HEAD: ALUMINUM 6061
 - B. TERMINATOR: NYLON+FIBER
 - C. CUTTER: SK-5
2. FINISH: MATTED TEXTURE
3. HARDNESS: BLADE: HRC 50-60°

For warranty information, go online to icc.com/warranty.

Part No: ICACSPDT4P Rev: B

Part No: ICACSPDT4P

Rev: B

Page 2 of 2

| 888-ASK-4ICC | icc.com | csr@icc.com |

