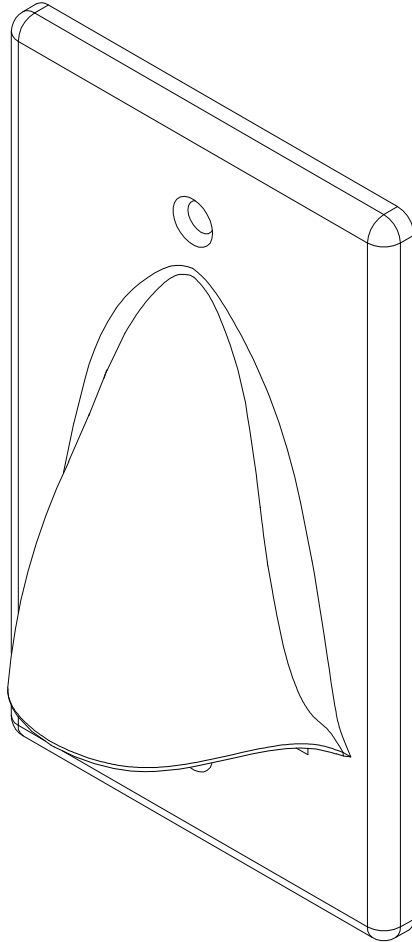


Single Gang Bulk Nose Faceplate

PRODUCT SPECIFICATION



Package includes:

- A. Single Gang Bulk Nose Faceplate, 1 pc
- B. #6-32 x 3/4" Oval Head, Countersink Machine Screw, 2 pcs

1-Gang Bulk Nose Faceplate

Features and Benefits:

- Configured to fit standard single gang low voltage outlet boxes
- Designed to accommodate connectorized cables used in residential and commercial applications
- Rugged and durable construction
- Glossy finish
- Available in ivory and white

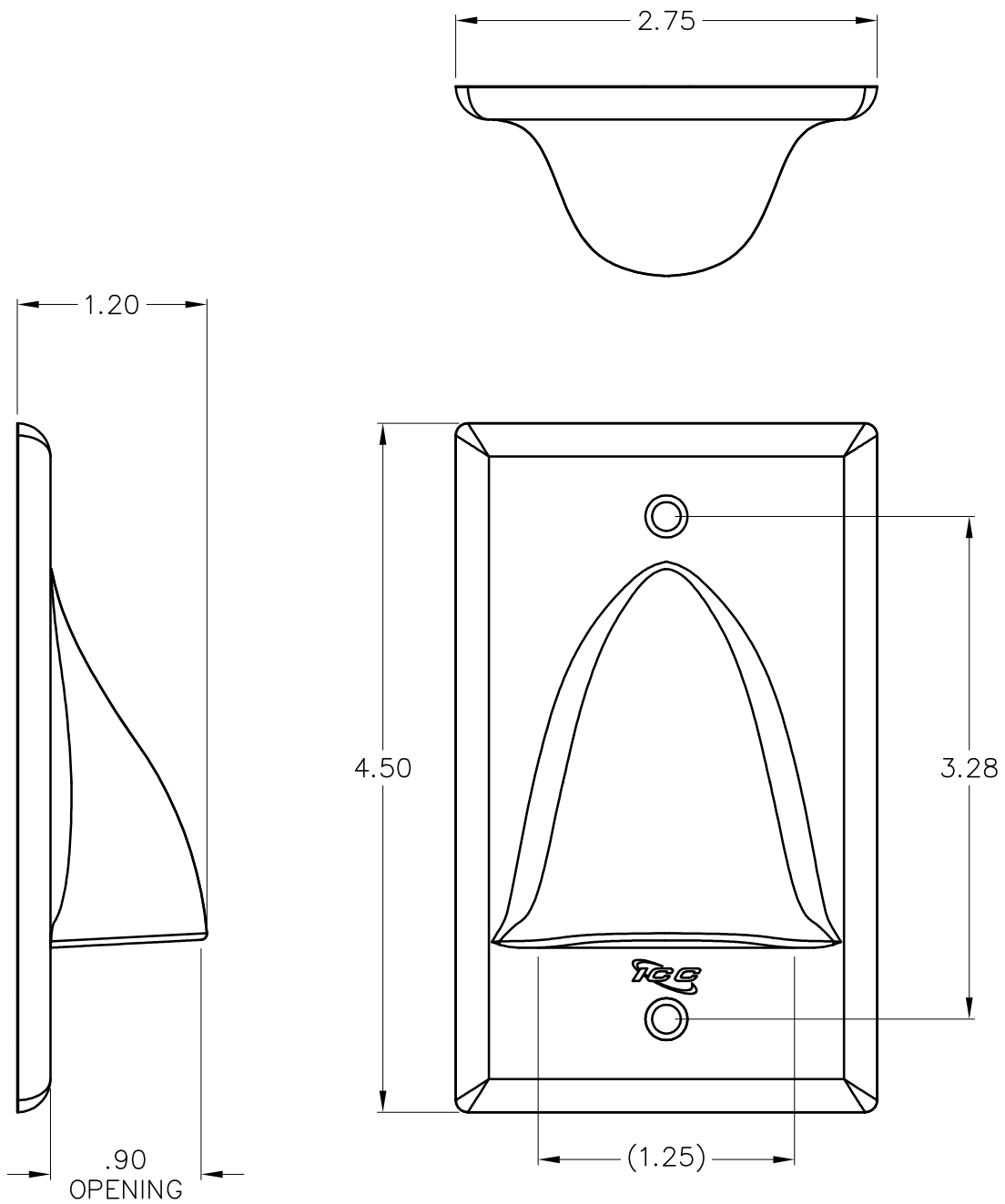
FACEPLATE, 1-GANG, BULK NOSE

ITEM NO.	IC640BSSXX
DWG NO.	PS640BSS00

REV.	A
PAGE NO.	1



CUSTOMER CARE / TECHNICAL SUPPORT * CSR@ICC.COM / 888-ASK-4-ICC (275-4422) * 14700 Alondra Blvd., La Mirada, CA 90638 * www.icc.com



NOTE: UNLESS OTHERWISE SPECIFIED

1. MATERIAL: ABS, UL 94V-0
2. FINISH: GLOSSY
3. COLOR: XX: IV-IVORY, WH-WHITE

FACEPLATE, 1-GANG, BULK NOSE

ITEM NO.	IC640BSSXX
DWG NO.	PS640BSS00

REV.	A
PAGE NO.	2



CUSTOMER CARE / TECHNICAL SUPPORT * CSR@ICC.COM / 888-ASK-4-ICC (275-4422) * 14700 Alondra Blvd., La Mirada, CA 90638 * www.icc.com