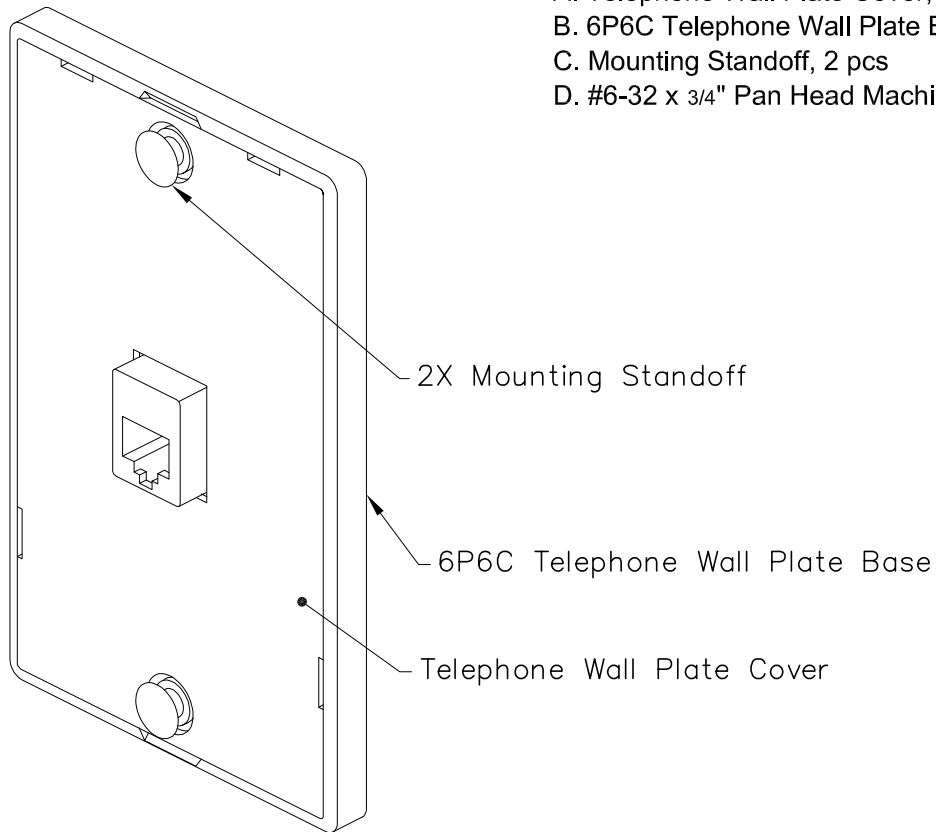


# 6P6C Telephone Wall Plate

## PRODUCT SPECIFICATION

### Package includes:

- A. Telephone Wall Plate Cover, 1 pc
- B. 6P6C Telephone Wall Plate Base, 1 pc
- C. Mounting Standoff, 2 pcs
- D. #6-32 x 3/4" Pan Head Machine Screw, 2 pcs



### Features and Benefits:

- Configured to fit standard single gang outlet box
- Designed for all voice connectivity to the work area for commercial or residential applications
- Provides with traditional screw down terminals for voice connectivity on the rear
- Rugged and durable construction
- Provides with two mounting standoffs for wall mount telephone
- Available in ivory and white
- UL listed

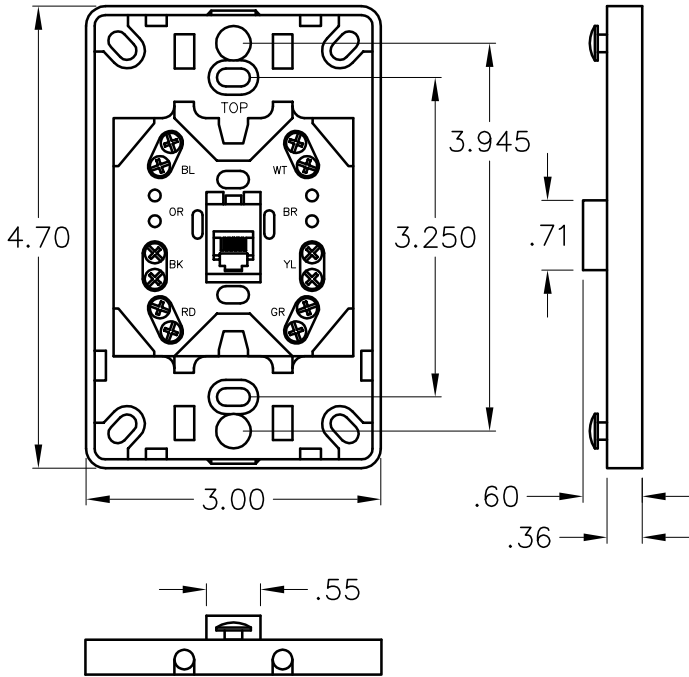
### WALL PLATE, TELEPHONE, 6P6C

ITEM NO.	IC630DB6XX
DWG NO.	PS630DB600

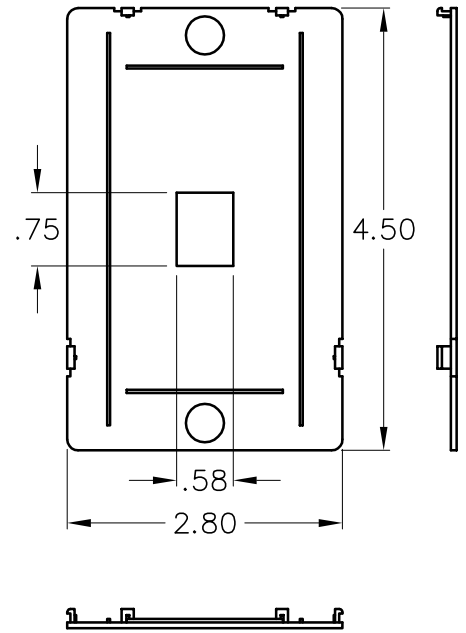
REV.	B
PAGE NO.	1



CUSTOMER CARE / TECHNICAL SUPPORT \* CSR@ICC.COM / 888-ASK-4-ICC (275-4422) \* 14700 Alondra Blvd., La Mirada, CA 90638 \* www.icc.com



BASE



COVER

**NOTE: UNLESS OTHERWISE SPECIFIED**

1. MATERIAL & FINISH:

- A. TELEPHONE WALL PLATE COVER: ABS, UL 94V-0
- B. 6P6C TELEPHONE WALL PLATE BASE: ABS, UL 94V-0
- C. COLOR: XX: IV-IVORY & WH-WHITE
- D. SPRING WIRE CONTACTS: PHOSPHOR BRONZE GOLD PLATING  
OVER 100 MICRO INCH NICKEL  
1.27 MICRON/50 MICRO INCH MIN GOLD PLATING
- E. WIRE LEADS: 26 AWG STRANDED WIRE

2. MECHANICAL:

- A. TOTAL MATING FORCE: 750 GRAMS FOR 6 WIRES LEAD
- B. RETENTION: 17 LBS BETWEEN JACK AND PLUG
- C. CRIMP TENSILE STRENGTH: 4.0-500 LBS


3. ELECTRICAL:

- A. CURRENT RATING: 1.5 AMP MAX
- B. DIELECTRIC WITHSTANDING VOLTAGE: 1,000 VOLTS RMS, 60 Hz
- C. CONTACT RESISTANCE: < 20 MILLIOHMS
- D. INSULATION RESISTANCE: > 10 MEGAOHMS

WIRING DIAGRAM

JACK POSITION	WIRE COLOR
	6 COND.
1	WHITE
2	BLACK
3	RED
4	GREEN
5	YELLOW
6	BLUE

UL US FILE NO. 125268

<b>WALL PLATE, TELEPHONE, 6P6C</b>		 <b>Premium Products</b> <i>Proven Performance</i> <i>Competitive Prices</i>	
ITEM NO.	IC630DB6XX		REV. B
DWG NO.	PS630DB600	PAGE NO.	2

CUSTOMER CARE / TECHNICAL SUPPORT \* CSR@ICC.COM / 888-ASK-4-ICC (275-4422) \* 14700 Alondra Blvd., La Mirada, CA 90638 \* www.icc.com