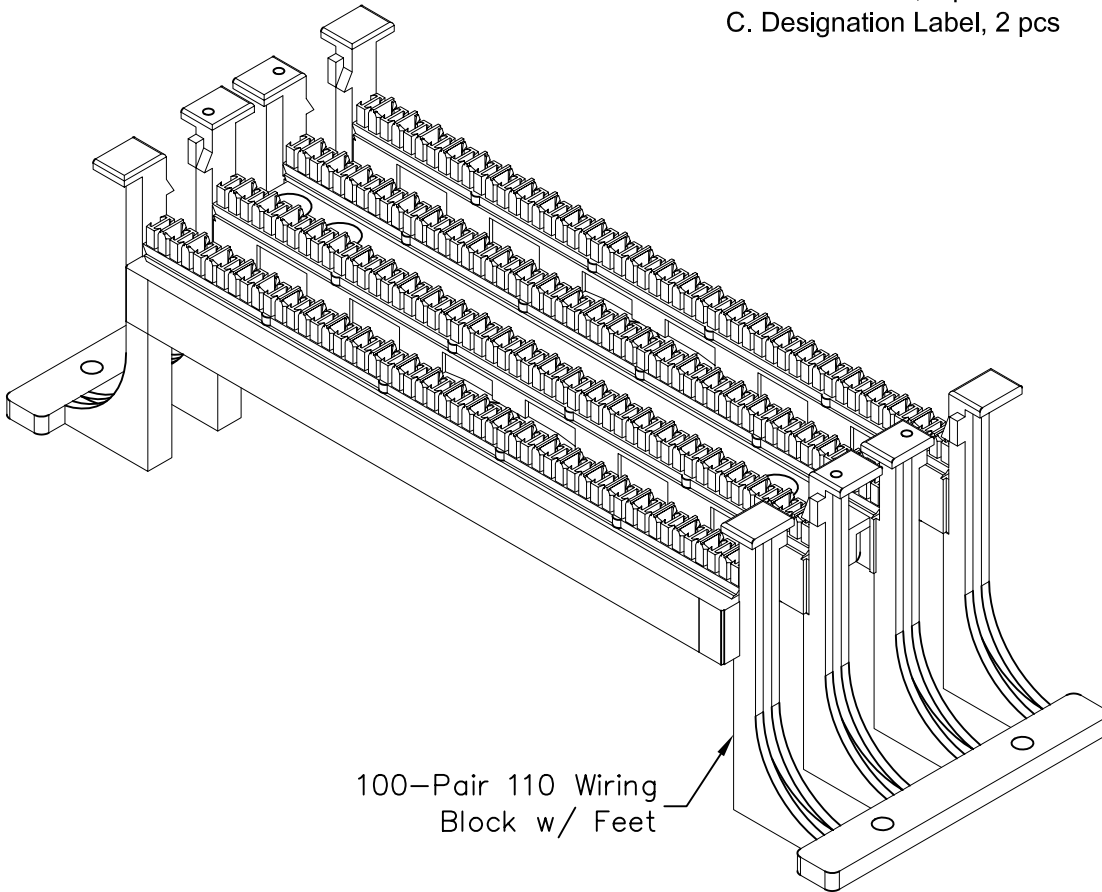


100-Pair 110 Wiring Block With Feet

PRODUCT SPECIFICATION


Package includes:

- A. 100-Pair 110 Wiring Block w/ Feet, 1 pc
- B. Label Holder, 2 pcs
- C. Designation Label, 2 pcs

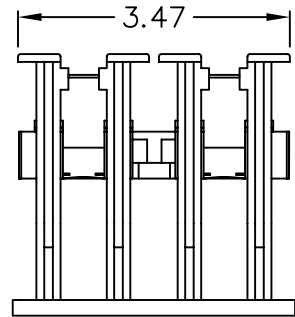
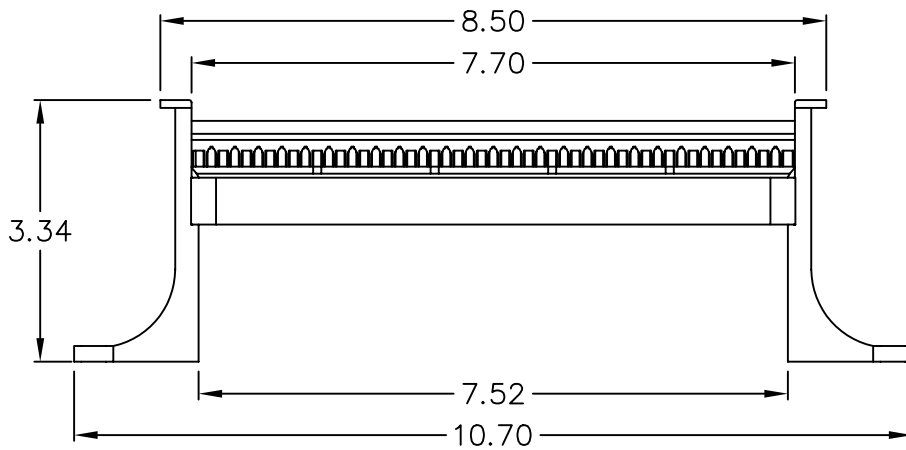
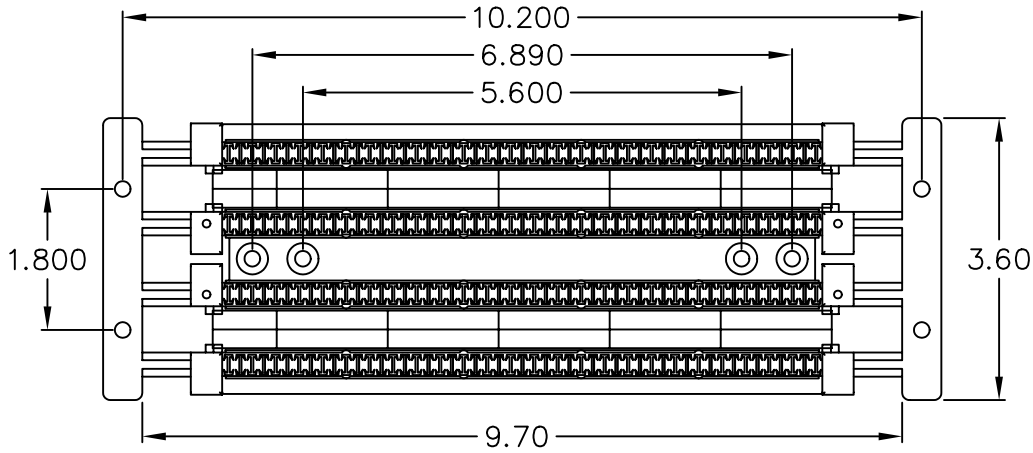


Features and Benefits:

- High density wall mounted cross connect system designed for voice and data applications
- Easy system administration with designation labels and label holders
- Used with IC110CB connecting blocks, IC110 cable management blocks, ICACSPDT00 and ICACSPDT05 110 punch down tools
- UL Listed

110 WIRING BLOCK W/ FEET, 100-PAIR		 PremiumProducts ProvenPerformance CompetitivePrices	
ITEM NO.	IC110WF100		REV. A
DWG NO.	PS110WF100		PAGE NO. 1


CUSTOMER CARE / TECHNICAL SUPPORT * CSR@ICC.COM / 888-ASK-4-ICC (275-4422) * 14700 Alondra Blvd., La Mirada, CA 90638 * www.icc.com



NOTE: UNLESS OTHERWISE SPECIFIED

1. MATERIAL: PC, UL 94V-0
2. COLOR: IVORY

UL US FILE NO. 125268

110 WIRING BLOCK W/ FEET, 100-PAIR			
ITEM NO.	IC110WF100		REV. A
DWG NO.	PS110WF100		PAGE NO. 2

CUSTOMER CARE / TECHNICAL SUPPORT * CSR@ICC.COM / 888-ASK-4-ICC (275-4422) * 14700 Alondra Blvd., La Mirada, CA 90638 * www.icc.com