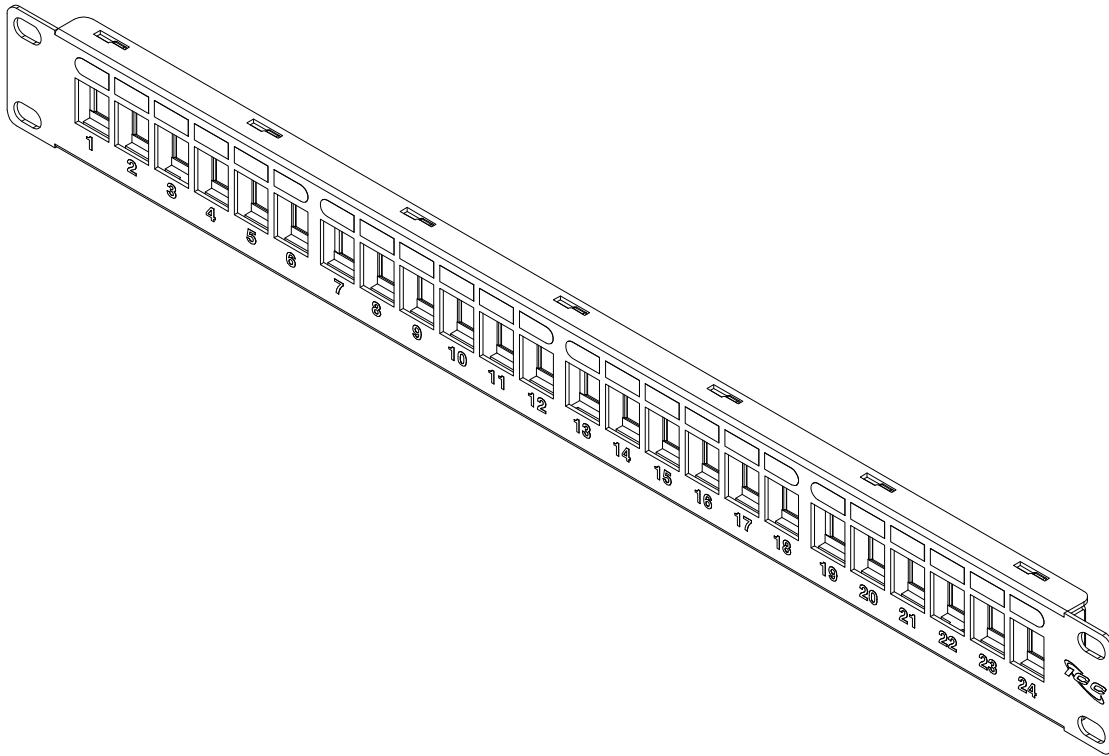


24-Port High Density Flush Blank Patch Panel

PRODUCT SPECIFICATION

Package includes:

- A. Blank Patch Panel, 1 pc
- B. #12-24 x 5/8" Pan Head, Pilot Point Machine Screw, 4 pcs



Features and Benefits:

- Rack mounted reinforced steel panel with pre-numbered ports
- Flush mount design adds stability by allowing a rigid fit and a neat finished appearance
- Designed to support the distribution of voice, data, audio, video, and fiber optic needs for commercial or residential applications
- Ideal for use in high density applications with more connectivity in less space
- Designed to fit all standard 19" racks and cabinets
- 1 rack mount space (RMS)
- Accommodates a wide variety of easy to snap-in modules, providing configuration flexibility
- Accepts all IC107 HD modules
- UL listed

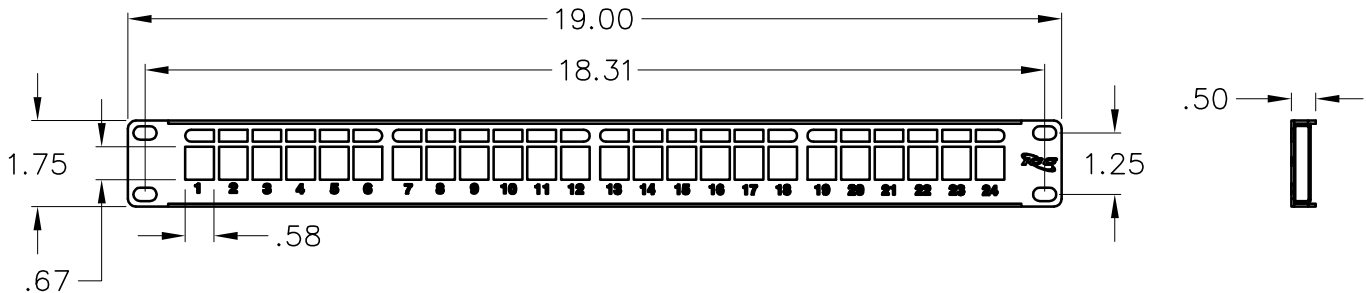
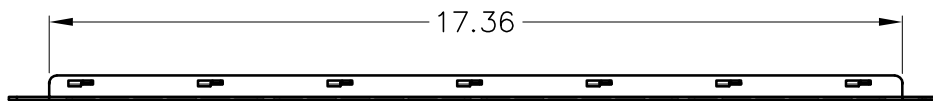
PATCH PANEL, BLANK, HD, 24-PORT, 1 RMS

ITEM NO. IC107BP241
DWG NO. PS107BP241

REV. B
PAGE NO. 1



CUSTOMER CARE / TECHNICAL SUPPORT * CSR@ICC.COM / 888-ASK-4-ICC (275-4422) * 14700 Alondra Blvd., La Mirada, CA 90638 * www.icc.com



NOTE: UNLESS OTHERWISE SPECIFIED

- 1. BLANK PATCH PANEL:
 - A. MATERIAL: 16 GA CRS
 - B. SURFACE FINISH: BLACK POWDER COAT
- 2. 24-PORT HD BEZEL:
 - A. MATERIAL: ABS, UL 94V-0

UL US FILE NO. 125268

PATCH PANEL, BLANK, HD, 24-PORT, 1 RMS		
ITEM NO. IC107BP241	REV. B	
DWG NO. PS107BP241	PAGE NO. 2	

CUSTOMER CARE / TECHNICAL SUPPORT * CSR@ICC.COM / 888-ASK-4-ICC (275-4422) * 14700 Alondra Blvd., La Mirada, CA 90638 * www.icc.com