

RYOBI DOOR CLOSERS

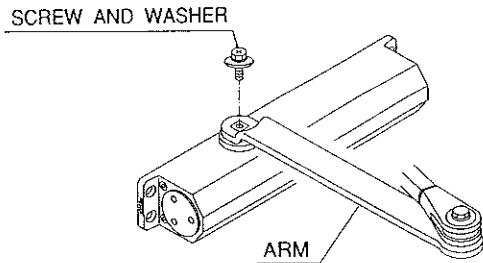
INSTALLATION INSTRUCTIONS HOLD-OPEN

A45-501-H

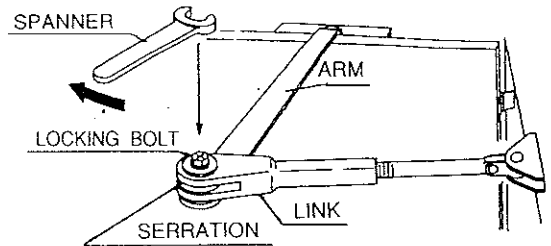
STANDARD APPLICATION

NOTE: BODY SHAPE MAY BE DIFFERENT FROM SERIES TO SERIES.

1. ATTACH ARM TO BODY.

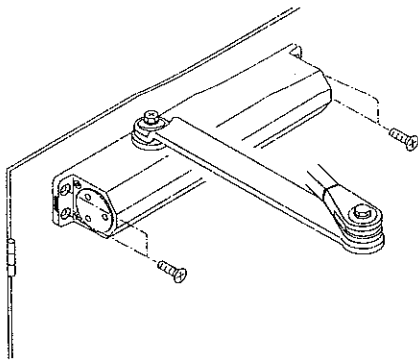


4. OPEN DOOR TO THE DESIRED HOLD OPEN ANGLE AND FIRMLY FASTEN LOCKING BOLT WITH A SPANNER.

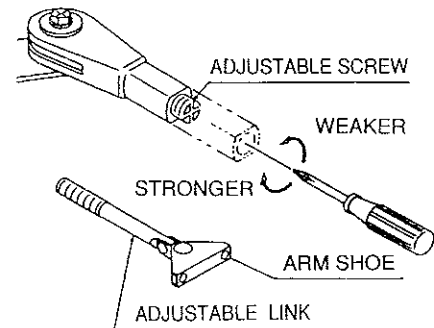


NOTE: DAMAGE TO THE HOLD OPEN DEVICE MAY OCCUR IF THE LOCKING BOLT IS NOT FIRMLY TIGHTENED.

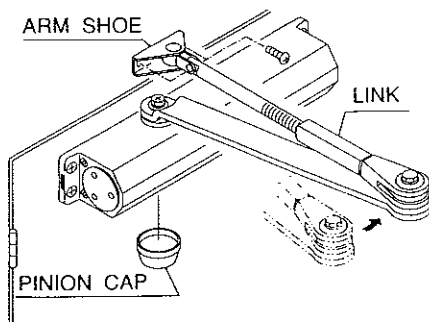
2. ATTACH BODY TO DOOR.



5. SCREW OUT ADJUSTABLE LINK. TURN ADJUSTABLE SCREW CLOCKWISE FOR STRONGER HOLD OPEN FORCE. TURN ADJUSTABLE SCREW COUNTER-CLOCKWISE FOR WEAKER HOLD OPEN FORCE.



3. POSITION STANDARD ARM SHOE ON FRAME AND FASTEN WITH TWO SCREWS.



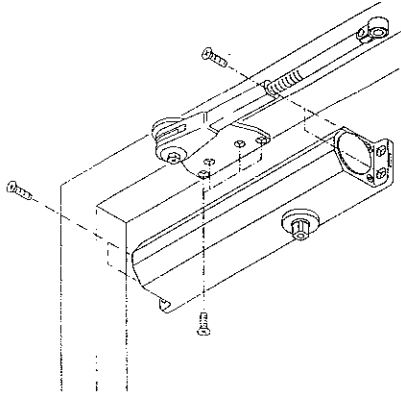
NOTE: ADJUST LENGTH OF ADJUSTABLE LINK TO OBTAIN A 90° ANGLE TO DOOR.

PARALLEL ARM APPLICATION

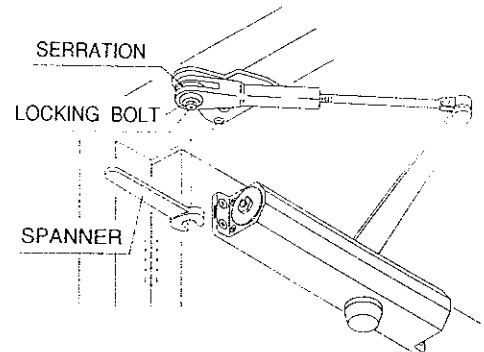
NOTE : BODY SHAPE MAY BE DIFFERENT FROM SERIES TO SERIES.

A45503-PH

1. POSITION PARALLEL BRACKET ON FRAME AND FASTEN WITH FOUR SCREWS, AND ATTACH BODY TO DOOR.

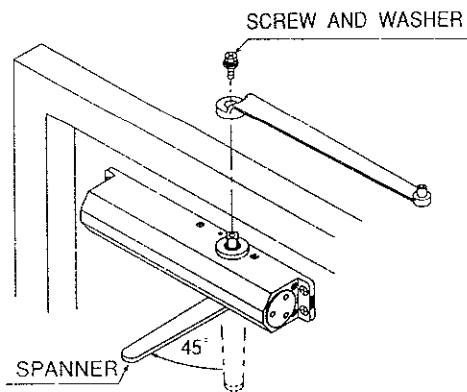


4. OPEN DOOR TO THE DESIRED HOLD OPEN ANGLE AND FIRMLY FASTEN LOCKING BOLT WITH A SPANNER.

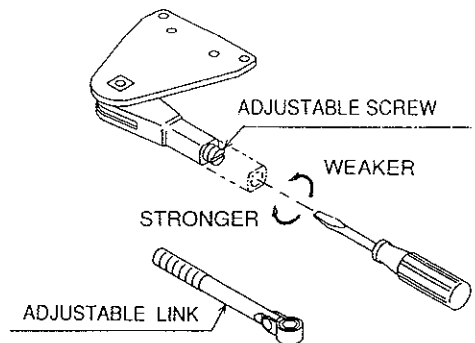


NOTE : DAMAGE TO THE HOLD OPEN DEVICE MAY OCCUR IF THE LOCKING BOLT IS NOT FIRMLY TIGHTENED.

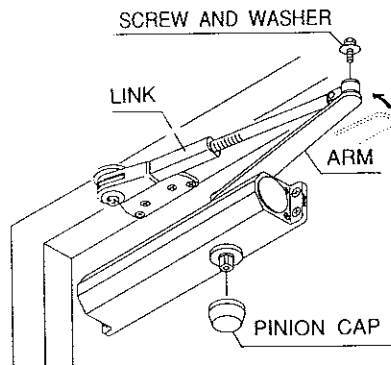
2. ATTACH ARM TO THE BODY.



5. SCREW OUT ADJUSTABLE LINK. TURN ADJUSTABLE SCREW CLOCKWISE FOR STRONGER HOLD OPEN FORCE. TURN ADJUSTABLE SCREW COUNTER-CLOCKWISE FOR WEAKER HOLD OPEN FORCE.



3. CONNECT ARM TO LINK.



NOTE : ADJUST LENGTH OF ADJUSTABLE LINK TO KEEP CLEAR BETWEEN ARM AND DOOR SURFACE.