

# HSG2 Environmental PoE Housing

Outdoor IP67 Vandal Resistant Housing

## HSG2 Outdoor IP67 PoE housing with heater and dual fans



The HSG2 environmental PoE housing provides excellent protection for the entire MegaVideo® line of Arecont Vision cameras.

PoE Solution to power Megavideo® Box Camera, Heater and Fans.  
**(No Auxiliary Power Required)**

**Compact** Housing

**Complete optional line of mounting accessories**, including wall mount, **Junction Box Adapter**, Electrical Box Adapter, etc.

### Arecont Vision Advantages:

#### **Superior Solution for Various Environments**

- Designed for Indoor or outdoor applications

#### **Excellent Enclosure Protection**

- Waterproof complies with the IP67 standard

#### **Vandal Resistant**

- Die-cast aluminum, resistant to impact and salt damage

#### **Compatibility**

- Designed to house the entire line of MegaVideo® cameras

#### **Easy Installation**

- Side opening, easy to install a camera

#### **Other key features:**

- Light ivory powder coating
- Internal cable management
- Cable feed through wall mount included
- Heater and blower embedded and more

Specification sheets subject to change without notice 7.30.12

**Model Numbers:**

**HSG2 Outdoor IP67 PoE housing with heater and dual fans**

**Mechanical**

- Housing material:  
Aluminum
- Color:  
Ivory
- Die Casting Housing
- Dimension:  
136(W)x95(H)x322(L)mm / 5.3"(W)x3.7"(H)x12.6"(L)
- Internal Usable Area:  
111(W)x75(H)x240(L)mm / 4.3"(W)x2.9"(H)x9.4"(L)
- Internal Cable Management
- Weight w/o camera:  
Housing: 2500g (5.51 lbs)

**Electrical**

- Power Supply:  
PoE 802.3 af class 3 to support camera, dual fans and heater
- Auxiliary Power:  
12VDC
- Power Consumption:  
13 Watts Maximum, including  
Heater 3 watts  
Fan 1.4 watts (each)
- Heater on: (PoE or 12VDC)  
4°C ± 3°C
- Fan on: (PoE or 12VDC)  
Fan #1: Always on  
Fan #2: 35°C ± 5°C

**Environmental**

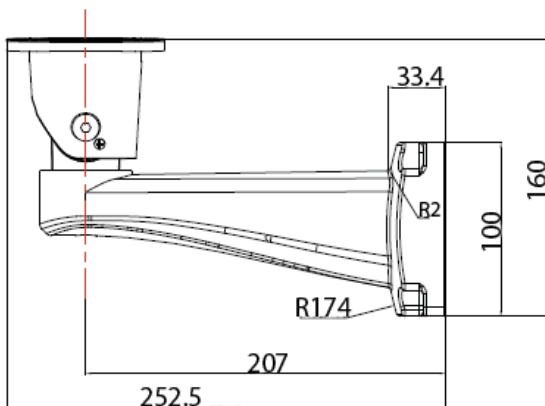
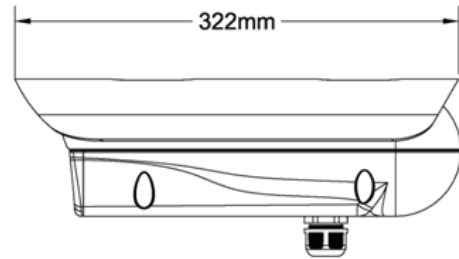
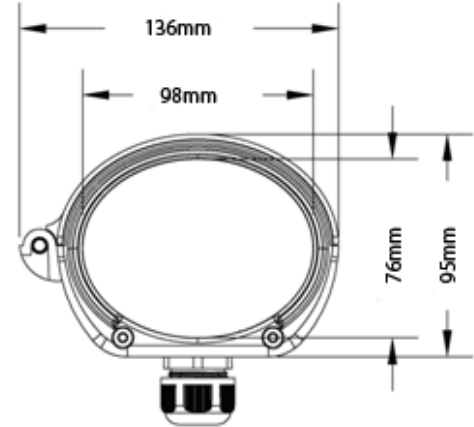
- Operating Temperature - 40°C (-40°F) to 60°C (140°F)
- Operating Humidity 90% RH (max)

**Compatibility**

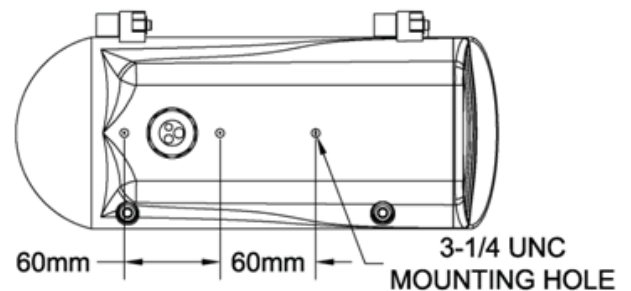
MegaVideo® Camera  
MegaVideo® Compact Camera

**Compatible Accessories and Cameras**

HSG2-WMT: Wall Mount  
SV-JBA: Junction Box Adapter  
SV-EBA: Electrical Box Adapter  
MD-CRMA: Corner Mount Adapter  
MD-PMA: Pole Mount Adapter



**Wall mount (Sold Separately)  
HSG2-WMT**



**HSG2**