



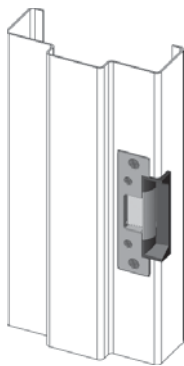
The 5000 Series is also available in a **Complete One Box Solution**

# 5000 Series

The **grade 1, low profile** solution for **cylindrical locksets**

*Shown with 501 Option*

The 5000 series is a compact, high performance electric strike designed for low profile openings where there is limited space behind the jamb. Its strength is derived from a unique keeper pin locking design, enabling the 5000 to exceed the ratings of the frame, door and locking hardware. This field selectable fail secure/fail safe unit is easy to install and accommodates latchbolts up to 5/8" throw.



## Specifications

- UL 1034, burglary-resistant listed and suitable for outdoor use
- ANSI/BHMA A156.31, Grade 1
- MEA New York City accepted
- Patent: 5,934,720

## Frame Application

- Metal
- Wood

## Electrical

- .24 Amps @ 12VDC/VAC
- .12 Amps @ 24VDC/VAC
- DC continuous duty/ AC intermittent duty only

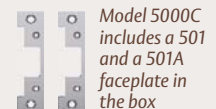
## 5000 Models

### 5000

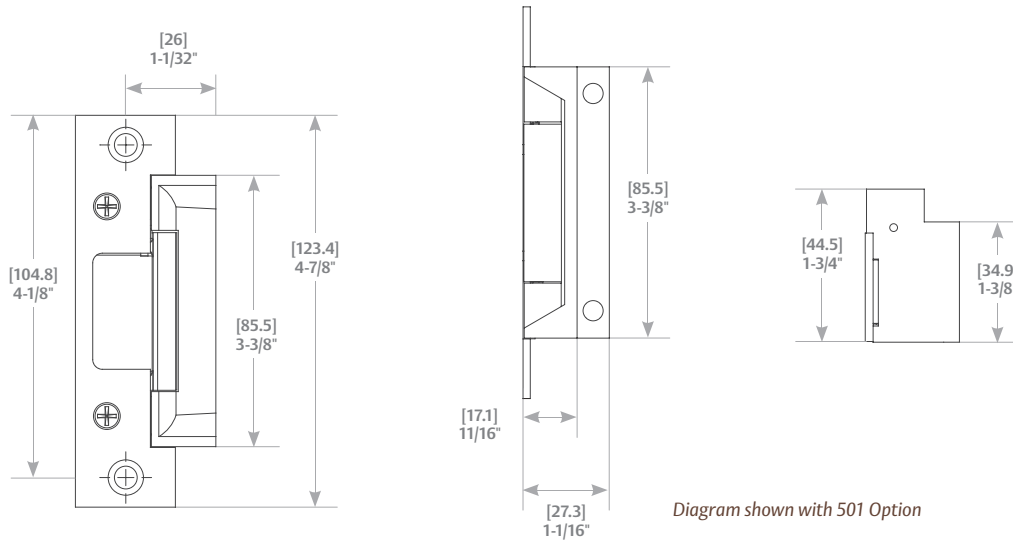
Universal electric strike  
Faceplate options ordered separately, see page 26

### 5000C

Complete electric strike  
Includes the 501 and 501A faceplates in the box



Model 5000C includes a 501 and a 501A faceplate in the box



### Standard Features

- Tamper resistant
- Static strength 1,500 lbs.
- Dynamic strength 70 ft-lbs.
- Endurance 500,000 cycles
- Field selectable fail secure/fail safe
- Dual voltage 12 or 24 VDC/VAC
- Non-handed
- Internally mounted solenoid
- Accommodates 1/2" - 5/8" latchbolt (5/8" with 1/8" door gap)
- Strike body depth 1-1/16"
- Plug-in connector
- Trim enhancer included
- Five-year limited warranty

### Optional Features

- **LBM** » Latchbolt monitor

### Accessories

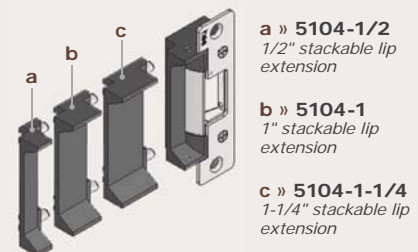
- 150** » Strike latch guard
- 154-MTK** » Metal template kit
- 2001M** » Plug-in bridge rectifier
- 2004M** » ElectroLynx® adapter
- 2005M3** » SMART Pac® III
- 2006M** » Plug-in buzzer
- 5104-1/2** » 1/2" stackable lip extension
- 5104-1** » 1" stackable lip extension
- 5104-1-1/4** » 1-1/4" stackable lip extension

### Finishes

- 630** » Satin stainless steel
- 605** » Bright brass
- 606** » Satin brass
- 612** » Satin bronze
- 613** » Bronze toned
- 629** » Bright stainless steel
- BLK** » Black

\*Complete Pacs are only available in the 630 finish

### "Press Fit" Stackable Lip Extensions



CYLINDRICAL  
LOCKSETS



SPECIALTY  
LOCKSETS



FIELD SELECTABLE  
(12 OR 24VDC)



FIELD SELECTABLE  
(FAIL SECURE / FAIL SAFE)



GRADE 1



OUTDOOR RATED



UL 1034  
BURGLARY LISTED

**hes**  
ASSA ABLOY

# 5000/5200 Series Faceplate Options



**Operation:** After releasing the latchbolt, the keeper returns to the locked position

 <p>4-7/8" x 1-1/4"</p> <p>Square corners and flat faceplate</p>	<p><b>501 Option</b></p> <p><b>For use with:</b> Cylindrical locksets in ANSI metal jambs</p> <p>» ANSI/BHMA Numbers: E09321, E09322, E09323</p>	
 <p>4-7/8" x 1-1/4"</p> <p>Radius corners and flat faceplate</p>	<p><b>501A Option</b></p> <p><b>For use with:</b> Cylindrical locksets or spring latches used in aluminum frames. Includes universal mounting tabs.</p> <p>» ANSI/BHMA Numbers: E09321, E09322, E09323</p>	 
 <p>7-15/16" x 1-7/16"</p> <p>Radius corners and flat faceplate</p>	<p><b>502 Option</b></p> <p><b>For use with:</b> Cylindrical locksets or spring latches used in aluminum frames. Includes universal mounting tabs.</p> <p>» ANSI/BHMA Numbers: E09321, E09322, E09323</p>	 
 <p>6-7/8" x 1-1/4"</p> <p>Radius corners and flat faceplate</p>	<p><b>503 Option</b></p> <p><b>For use with:</b> Cylindrical locksets or spring latches used in aluminum frames. Includes universal mounting tabs.</p> <p>» ANSI/BHMA Numbers: E09321, E09322, E09323</p>	 
 <p>10" x 1-3/8"</p> <p>Radius corners and flat faceplate</p>	<p><b>504 Option</b></p> <p><b>For use with:</b> Cylindrical locksets. Four-point mounting for wood installations</p> <p>» ANSI/BHMA Numbers: E09321, E09322, E09323</p>	