

Honeywell



H2D2PR1 1080p True Day/Night IR Ball IP Camera

Quick Installation Guide

Document 800-17073 — Rev A — 05/2014

Thank you for purchasing a H2D2PR1 1080p True Day/Night IR Ball IP Camera to complement your Honeywell Embedded NVR. Follow the instructions in this guide to install and log in to your camera. For instructions on configuring the camera, refer to the [Embedded NVR Bundle IP Cameras User Guide](#) on the software and documentation CD that came with your camera. If you require additional assistance, please call the number shown below.

Cautions and Warnings

 CAUTION RISK OF ELECTRIC SHOCK DO NOT OPEN	 THIS SYMBOL INDICATES THAT DANGEROUS VOLTAGE CONSTITUTING A RISK OF ELECTRIC SHOCK IS PRESENT WITHIN THE UNIT.
CAUTION: TO REDUCE THE RISK OF ELECTRIC SHOCK, DO NOT REMOVE THE COVER. NO USER-SERVICEABLE PARTS INSIDE. REFER SERVICING TO QUALIFIED SERVICE PERSONNEL.	 THIS SYMBOL INDICATES THAT IMPORTANT OPERATING AND MAINTENANCE INSTRUCTIONS ACCOMPANY THIS UNIT.

WARNING To ensure compliance with electrical safety standards this product is intended for use with a Listed Power Adapter marked with “Limited Power Source”, “LPS”, on the unit, output rated 12 V DC, minimum 0.33A, Tma=60Deg.C or from Power over Ethernet (PoE) provided by Listed Information Technology Equipment meeting the IEEE 802.3af PoE standard.

The Ethernet connection is not intended to be connected to exposed (outside plant) networks. Do not connect two power sources to the camera at the same time.

CAUTION Invisible LED radiation (850 nm). Avoid exposure to beam.

Regulatory Statements

Information to the User: This equipment has been tested and found to comply with the limits for a Class B digital device, pursuant to part 15 of the FCC Rules. These limits are designed to provide reasonable protection against harmful interference in a residential installation. This equipment generates, uses, and can radiate radio frequency energy and, if not installed and used in accordance with the instructions, may cause harmful interference to radio communications. However, there is no guarantee that interference will not occur in a particular installation.

If this equipment does cause harmful interference to radio or television reception, which can be determined by turning the equipment off and on, the user is encouraged to try to correct the interference by one or more of the following measures:

- Reorient or relocate the receiving antenna.
- Increase the separation between the equipment and receiver.
- Connect the equipment into an outlet on a circuit different from that to which the receiver is connected.
- Consult the dealer or an experienced radio/TV technician for help.

Note Changes or modifications not expressly approved by the party responsible for compliance could void the user's authority to operate the equipment.

This Class B digital apparatus complies with Canadian ICES-003.
Cet appareil numérique de la Classe B est conforme à la norme NMB-003 du Canada.

Important Safeguards

- Read and keep these instructions.
- Do not aim the camera toward a bright light source for extended periods to prevent damage to the imager. Avoid operating the unit under or close to unstable light sources (may cause flickering), or close to fluorescent lamps or objects reflecting light.
- Do not touch the camera lens.
- Do not drop the camera or subject it to physical shock.
- Do not use a strong or abrasive detergent when cleaning the camera.
- Avoid operating or storing the unit in extremely humid, dusty, hot/cold environments, where the operating temperature is outside the recommended range of -4°F to 140°F (-20°C to 60°C).

Note Do not apply power to the camera before completing installation.

Note Confirm the installation surface can support at least three times the weight of the camera plus the bracket.

Before You Begin

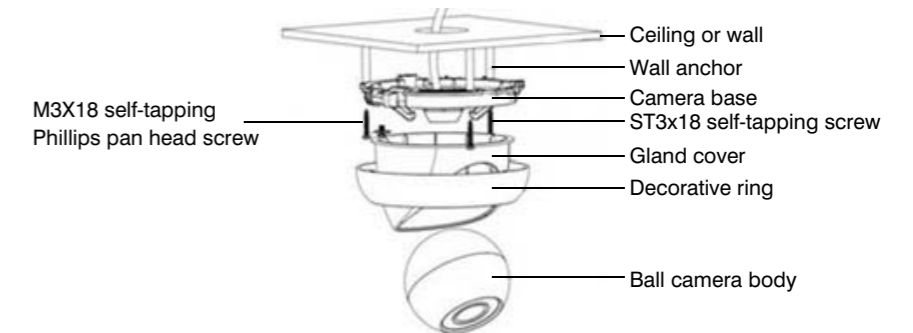
Before you begin, check that you have received all of the parts listed below. If any parts are missing or damaged, contact your dealer immediately.

- Camera
- Documentation CD
- Quick install guide
- Self-tapping screws (×4)
- Plastic wall anchors (×4)
- Mounting template

Required tools:

- A Phillips screwdriver
- A drill with an appropriately-sized drill bit for pre-drilling holes for the screw anchors.

CAUTION Installation and servicing should be performed only by qualified and experienced technicians to conform to all local codes and to maintain your warranty.



1 Removing the Ball Camera from the Base

1. From the back of the camera base, push the ball camera free from the gland cover on the camera base. Set the ball camera body aside.

2 Preparing the Mounting Surface

1. Place the mounting template on the mounting surface where you want to install the camera.
2. Drill three (3) holes in the mounting surface for the wall anchors. Insert the wall anchors.
3. Drill an appropriately sized hole and pull the cables through the mounting surface.

3 Mounting the Camera

1. Route the cables through the camera base.
2. Align the screw holes on the camera base with the plastic wall anchors.
3. Insert the three self-tapping screws through the holes in the camera base, into the wall anchors, and then tighten them to secure the camera base in place.

4 Installing and Adjusting the Ball Camera

1. Loosen, but do not remove, the M3X8 cross-recessed pan head slot screw on the camera base. This screw secures the gland cover and camera in place.
2. Adjust the gland cover to the desired position, and then re-tighten the M3X8 cross-recessed pan head slot screw to secure the gland cover in place.
3. Connect the IP cable to the RJ-45 port on the ball camera.
4. Firmly push the ball camera body back into the gland cover on the camera base until it securely clicks into place.
5. Adjust the lens to the desired angle.

5 Installing the Decorative Ring

When you have achieved the desired field of view, install the decorative ring.

1. Align the three tabs on the decorative ring with the slots on the camera base.
2. Turn the decorative ring clockwise until it securely clicks into place.

Honeywell

North America: +1 800 323 4576 www.honeywell.com/security
 Asia Pacific: +86 21 2219 6888 www.asia.security.honeywell.com
 Europe: +44 (0) 844 8000 235 www.honeywell.com/security/uk

Document 800-17073 – Rev A – 05/2014