

# Honeywell

## HBD2PR1 1080p True Day/Night IR Bullet IP Camera



### Quick Installation Guide

Document 800-17077 — Rev A — 05/2014

Thank you for purchasing a HBD2PR1 1080p True Day/Night IR Bullet IP Camera to complement your Honeywell Embedded NVR. Follow the instructions in this guide to install and log in to your camera. For instructions on configuring the camera, refer to the [Embedded NVR Bundle IP Cameras User Guide](#) on the software and documentation CD that came with your camera. If you require additional assistance, please call the number shown below.

### Cautions and Warnings

 <b>CAUTION</b> RISK OF ELECTRIC SHOCK DO NOT OPEN	 THIS SYMBOL INDICATES THAT DANGEROUS VOLTAGE CONSTITUTING A RISK OF ELECTRIC SHOCK IS PRESENT WITHIN THE UNIT.
CAUTION: TO REDUCE THE RISK OF ELECTRIC SHOCK, DO NOT REMOVE THE COVER. NO USER-SERVICEABLE PARTS INSIDE. REFER SERVICING TO QUALIFIED SERVICE PERSONNEL.	 THIS SYMBOL INDICATES THAT IMPORTANT OPERATING AND MAINTENANCE INSTRUCTIONS ACCOMPANY THIS UNIT.

**WARNING** To ensure compliance with electrical safety standards this product is intended for use with a Listed Power Adapter marked with “Limited Power Source”, “LPS”, on the unit, output rated 12 V DC, minimum 0.33A, Tma=60Deg.C or from Power over Ethernet (PoE) provided by Listed Information Technology Equipment meeting the IEEE 802.3af PoE standard.

The Ethernet connection is not intended to be connected to exposed (outside plant) networks. Do not connect two power sources to the camera at the same time.

**CAUTION** Invisible LED radiation (850 nm). Avoid exposure to beam.

### Regulatory Statements

**Information to the User:** This equipment has been tested and found to comply with the limits for a Class B digital device, pursuant to part 15 of the FCC Rules. These limits are designed to provide reasonable protection against harmful interference in a residential installation. This equipment generates, uses, and can radiate radio frequency energy and, if not installed and used in accordance with the instructions, may cause harmful interference to radio communications. However, there is no guarantee that interference will not occur in a particular installation.

If this equipment does cause harmful interference to radio or television reception, which can be determined by turning the equipment off and on, the user is encouraged to try to correct the interference by one or more of the following measures:

- Reorient or relocate the receiving antenna.
- Increase the separation between the equipment and receiver.
- Connect the equipment into an outlet on a circuit different from that to which the receiver is connected.
- Consult the dealer or an experienced radio/TV technician for help.

**Note** Changes or modifications not expressly approved by the party responsible for compliance could void the user's authority to operate the equipment.

This Class B digital apparatus complies with Canadian ICES-003.  
Cet appareil numérique de la Classe B est conforme à la norme NMB-003 du Canada.

### Important Safeguards

- Read and keep these instructions.
- Do not aim the camera toward a bright light source for extended periods to prevent damage to the imager. Avoid operating the unit under or close to unstable light sources (may cause flickering), or close to fluorescent lamps or objects reflecting light.
- Do not touch the camera lens.
- Do not drop the camera or subject it to physical shock.
- Do not use a strong or abrasive detergent when cleaning the camera.
- Avoid operating or storing the unit in extremely humid, dusty, hot/cold environments, where the operating temperature is outside the recommended range of -4°F to 140°F (-20°C to 60°C).

**Note** Do not apply power to the camera before completing installation.

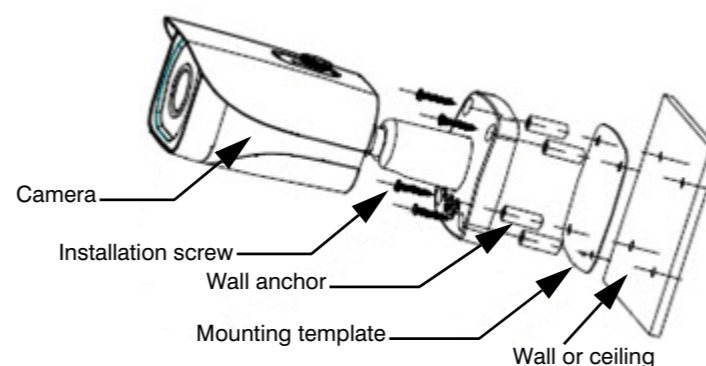
**Note** Confirm the installation surface can, at the minimum, support three times the weight of the camera plus the bracket.

### Before You Begin

Before you begin, check that you have received all of the parts listed below. If any parts are missing or damaged, contact your dealer immediately.

- Camera
- Documentation CD
- Quick install guide
- Mounting template
- Self-tapping screws (×5)
- Plastic wall anchors (×5)
- Allen key

**CAUTION** Installation and servicing should be performed only by qualified and experienced technicians to conform to all local codes and to maintain your warranty.



### Required tools:

- A Phillips screwdriver
- A drill with an appropriately-sized drill bit for pre-drilling holes for the wall anchors.

### 1 Preparing the Mounting Surface

1. Place the mounting template on the mounting surface where you want to install the camera.
2. Drill a hole and pull the cables through the mounting surface.
3. Use the drill to pre-drill holes for the wall anchors, then insert the four wall anchors and secure them in place.

### 2 Mounting the Camera

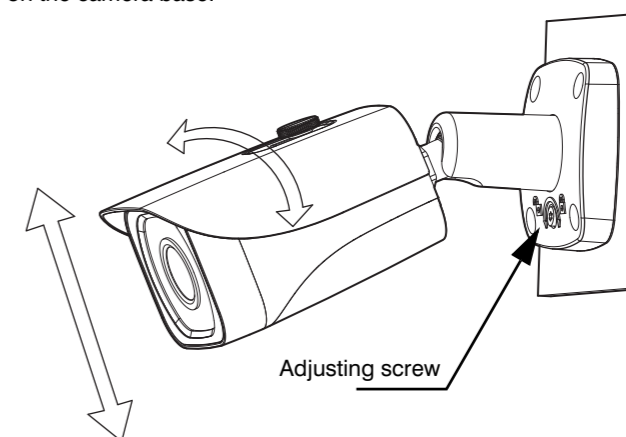
1. Position the camera so that the screw holes on the base align with the screw holes on the mounting template and the holes for the wall anchors.
2. Insert the four self-tapping screws through the holes in the bullet camera's base, into the wall anchors, and then tighten them to secure the bullet camera in place.

### 3 Connecting the Wires

Connect the IP cable to the RJ-45 port on the camera.

### 4 Adjusting the Field of View

1. Use the star-shaped Allen key (supplied) to loosen, but not remove, the adjusting screw on the camera base.



2. Adjust the bullet camera to the desired field-of-view angle, and then re-tighten the adjusting screw to secure the camera in place.

**Note** The adjusting screw must be loosened before you can adjust the camera field-of-view direction and/or angle. Please secure it tightly when finished with these adjustments.

**Note** When the camera body and installation chassis for a 90° angle, and the adjusting screw is tight, please do not rotate the camera body more than 360°.

# Honeywell

North America: +1 800 323 4576 [www.honeywell.com/security](http://www.honeywell.com/security)  
 Asia Pacific: +86 21 2219 6888 [www.asia.security.honeywell.com](http://www.asia.security.honeywell.com)  
 Europe: +44 (0) 844 8000 235 [www.honeywell.com/security/uk](http://www.honeywell.com/security/uk)