

Performance Series IP Embedded NVR Kits

www.honeywellvideo.com

1080p IP CAMERAS AND 4 CHANNEL EMBEDDED NVR

Introducing the new Performance Series IP kits from Honeywell. The kits feature 1080p IR-illuminated, IP66-rated cameras, and an embedded NVR with a user-friendly set-up and configuration wizard that takes you to live video in minutes. You have a choice of a 1 or 2 TB embedded NVR (up to 8TB storage optional) and 4 IP ball cameras OR 4 IP bullet cameras. These bundled kits offer the perfect economical and flexible solution for small to medium sized businesses.

Fully-featured NVRs

- **High decoding capability** for full HD viewing and recording.
- View up to **four channels simultaneously** on your monitor.
- All channels live view and play back at **1080p @ full frame rate**.
- **Bidirectional audio communication** for the NVR.

Fully-featured Cameras

- **IR LEDs** facilitate recording in dimly lit or nighttime scenes.
- **Waterproof (IP66) camera housings** are perfect for outdoor installations.
- **Camera configurations** to improve image quality and reduce image size, and to detect and respond to alarm events.

Easy to Use

- The **Quick wizard** and **PoE support of plug-and-play** makes setup fast and easy.
- Physical installation within minutes with the help of **comprehensive and easy-to-understand quick installation guides** for the NVR and IP cameras.

Convenient, Flexible Storage Options

- Internal storage supports **two HDDs up to 8 TB** (4 TB each).*
- Store videos and snapshots to **external storage**, such as the **client's PC**, through the Internet.
- Store videos and snapshots to an **external network** storage server such as an **FTP site**.
- Store videos and snapshots to a **USB memory device**.

Dynamic, Accessible Monitoring

- Monitor from anywhere using the **mobile apps** for Apple and Android smartphones, tablet computers, and laptops.

Privacy Masking

- **Conceal up to 4 areas** of a scene from viewing and recording.

Safety Features

- **Configurable motion detection and camera tamper detection settings**, including configurable alarm alerts, such as automatic emails (with attached video or snapshot) and automatic alerts (such as buzzers or flashing lights).
- **Remote configuration and firmware updating** through Honeywell Viewer web client and the Honeywell Config tool. Password-protected access to the camera's and NVR's video and network setup.

Market Opportunities

The flexible storage options of the Performance Series IP Embedded NVR plus the fully-featured IP IR cameras make this kit perfect for many security applications.

Camera Features	NVR Features
<ul style="list-style-type: none"> • 30 fps @ 1080p (1920x1080) • True Day/Night mode 	<ul style="list-style-type: none"> • H.264/MJPEG dual codec decoding • HDMI / VGA simultaneous video output
<ul style="list-style-type: none"> • UL listed as Information Technology Equipment (I.T.E.) under file E224004; IP66-rated housings 	<ul style="list-style-type: none"> • Supports 16 channels of alarm input and 2 channels of alarm relay output
<ul style="list-style-type: none"> • 3.6 mm F 1.6 fixed lens 	<ul style="list-style-type: none"> • Supports IE, Safari, Chrome, Firefox • UL listed

* see user guide for compatible HD listings



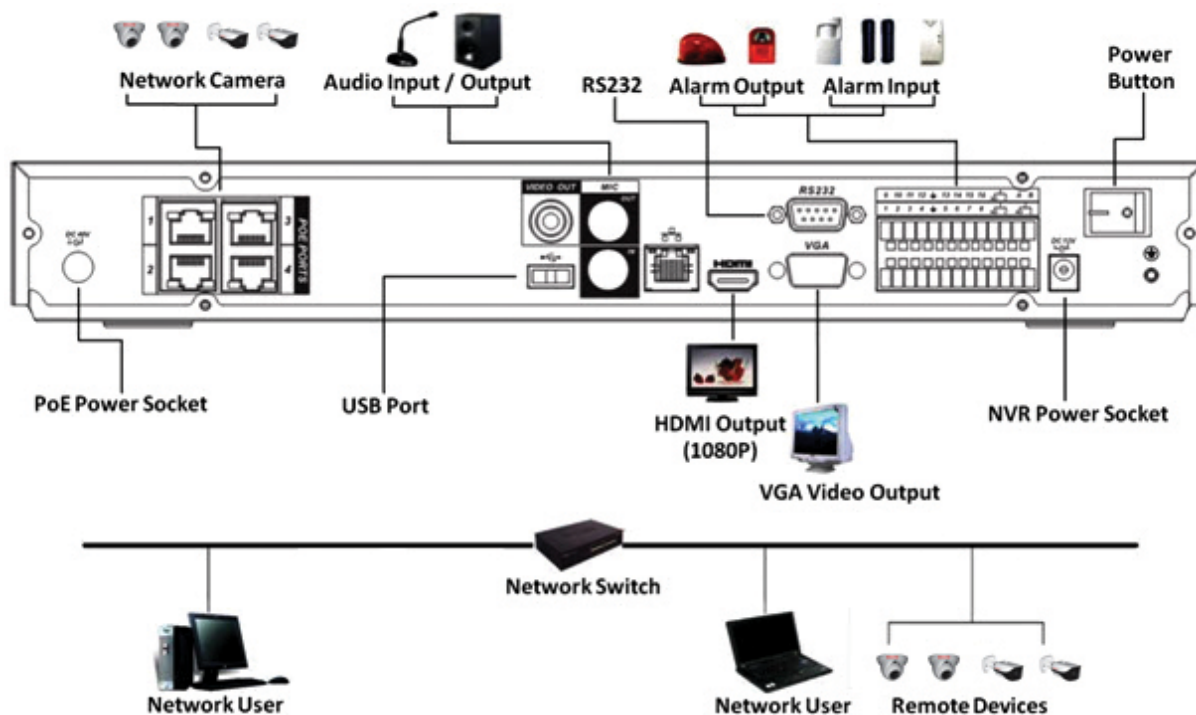
Performance Series IP Embedded NVR Kits www.honeywellvideo.com

FEATURES

Immediately Detect and Respond to Events

The Performance Series IP NVR/Cameras can be configured to automatically detect and respond to events such as motion in the scene, alarm inputs, a network failure and/or tampering. Automated responses include:

- Sending a notification through email, FTP and/or HTTP.
- Uploading still images at the time of the event through email and/or FTP.
- Recording a video clip of the event to the client's PC or network-attached storage.
- Enabling a visual or auditory notification (a flashing light, bell or siren).



Performance Series IP Embedded NVR Kits www.honeywellvideo.com

NVR SPECIFICATIONS

System		Network	
Main processor	Dual-core embedded processor	Ethernet	1 x RJ-45 port (10/100/1000 Mbps)
Operating System	Embedded LINUX	PoE	4 ports (IEEE802.3af)
Video		Network Function**	HTTP; TCP/IP; IPv4/IPv6; UPnP; RTSP; UDP; SMTP; NTP; DHCP; DNS; IP filter; PPPoE; DDNS; FTP; Alarm server; IP search
IP Camera Inputs	4 channels	Maximum number of users	20 users
Bidirectional Audio	1 channel input; 1 channel output; BNC	Number of concurrent streams	20
Display		Smart phone compatibility	IOS; Android
Interface	1 HDMI; 1 VGA	Storage	
Resolution	1920x1080; 1280x1024; 1280x720; 1024x768	Internal Storage	2 SATA ports; up to 8 TB; RAID (redundancy)
Display Split	1/4	Auxiliary Interface	
OSD	Camera title; Time; Video loss; Camera lock; Motion detection; Recording	USB	2 ports (1 on rear panel); USB 2.0
Recording		RS232	1 port, for PC communication and keyboard
Compression	H.264/MJPEG	RS485	PTZ control is not supported at this time
Resolution	1080p (1920x1080); 720p (1280x720); D1 (704x576/704x480); SXGA (800x600); 1.3 MP (1280x1024)	Electrical	
Recording Rate	120 fps @ 1080p; 120 fps @ 720p; 120 fps @ D1; 120 fps @ SXGA; 120 fps @ 1.3 MP	Power Supply (NVR)	12 V DC; 5 A
Bit rate*	256 to 8192 kbps	Power Supply (PoE)	48 V DC; 1.04 A
Recording Mode	Manual; Schedule (Regular [Continuous], Motion Detection, Alarm, Motion Detection+Alarm); Stop	Power Adaptor (PoE)	AC Input 110-240V; 1.5A DC Output 12V; 5A
Recording Interval	1 to 120 minutes (default: 60 minutes); Pre-recording: 1 to 30 seconds.	Power Adaptor (NVR)	AC Input 110-240V; 1.5A DC Output 48V; 1.04A
Video Detection and Alarms		Power Consumption (NVR)	20 W (without HDD)
Trigger Events	Recording; Tour; Alarm; Email; FTP; Buzzer; Screen Tips	Power Consumption (PoE)	Maximum 15 W each
Video Detection	Motion Detection; Motion Detection Zones (396: 22 x 18); Video Loss and Camera Blank	Environmental	
Alarm Input	16 channels	Operating Temperature	14°F to 131°F (-10°C to 55°C)
Relay Output	3 channels	Humidity	10% to 90%
Playback and Backup		Physical	
Sync Playback	1/4	Dimensions	14.8x11.2x2.1 inches (375x285x52.6 mm)
Search Mode	Time/Date; Alarm; Motion Detection; Exact Search (accurate to a second)	Weight (without HDD)	5.07 pounds (2.3 kg)
Playback Function	Play; Pause; Stop; Rewind; Fast play; Slow play; Full Screen; Backup	Regulatory	
Backup Mode Compatibility	USB Device; Network	Emissions	FCC Part 15B, CE EN55022
		Immunity	CE EN50130-4
		Safety	EU: EN60950-1 North America UL listed to UL/CSA 60950-1

* Actual bitrate is scene and motion dependent with H.264 stream.

** Some development might be required in specific user cases to support some of these protocols in the field as naturally protocols will mature over time.

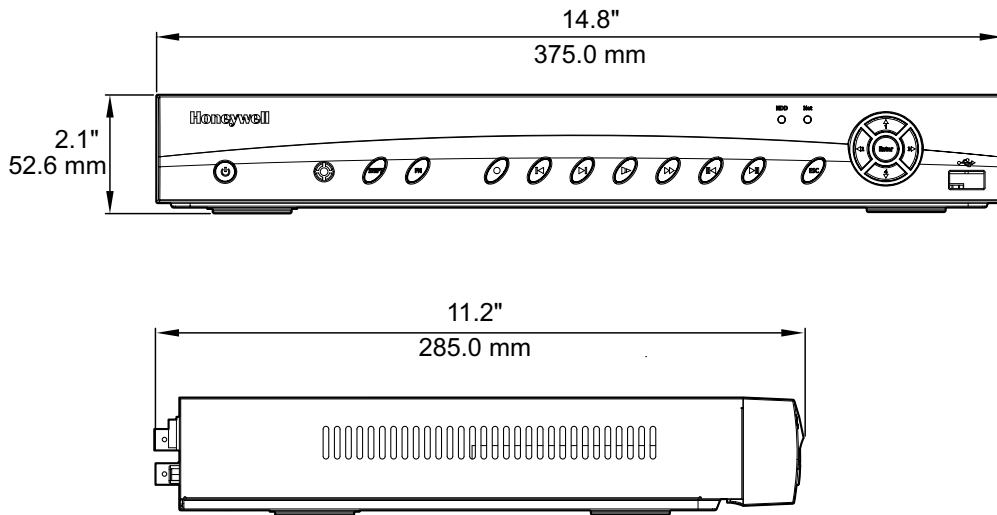
Performance Series IP Embedded NVR Kits www.honeywellvideo.com

CAMERA SPECIFICATIONS

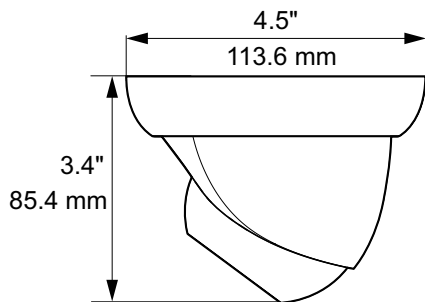
Operational		Environmental	
Video Standard	NSTC	Operational Temperature	-4°F to +140°F (-20°C to +60°C)
Scanning System	Progressive	Working Humidity	Less than or equal to 95%
Image Sensor	1/3" Megapixel progressive scan Exmor CMOS	Rating	IP66
Effective Pixels	1920x1080	IP Specifications	
Minimum Illumination	0.5 Lux @ F1.6 (Color); 0 Lux @ F1.6 (IR LEDs on)	Video Compression	H.264/MJPEG
Number of IR LEDs	Ball: 12 Bullet: 27	Primary Stream Resolution	1080p (1920x1080)/ SXGA (1280x1024)/ 1.3M (1280x960)/ 720p (1280x720)/ D1 (704x576/704x480)/ CIF (352x288/352x240)
Maximum IR LEDs Length (depending on scene reflectance)	Ball: 65 ft (20m) Bullet: 82 ft (25m)	Frame Rates Supported	Main Stream: 1080p/SXGA/1.3M/720p/D1 (1~30 fps) Sub Stream: D1/CIF (1~30 fps)
S/N Ratio	More than 50 DB	Video Streaming	Dual streaming: H.264/MJPEG ; MJPEG
Gain Control	Auto/Manual	Video Bit Rate*	H.264: 1280K~8192 Kbps @ 1080p
Electronic Shutter Speed	Auto/Manual (1/3~1/100000s)	Security	Up to 20 users, multiple user access levels with password protection
Lens Type	3.6 mm Fixed, F1.6	Operating System	Windows XP; Windows Vista; Windows 7
Horizontal Angle of View	Ball: 88° Bullet: 88°	CPU Requirements	Pentium M 2.16 GHz or Intel Core 2 Duo 2.0 GHz
Mount Type	Board-in type	System Memory	At least 2 GB
White Balance	Auto/Day/Night/Customized	Network Card	RJ-45 (10/100 Base-T)
Day/Night	Auto (ICR)/Color/B&W	Web Browser	Microsoft Internet Explorer 6.0 or later; Mozilla Firefox®; Google Chrome; and Apple Safari
Backlight Compensation	BLC/DWDR	Supported Protocols**	IPv4/IPv6, HTTP, HTTPS, SSL, TCP/IP, UDP, UPnP, ICMP, IGMP, SNMP, RTSP, RTP, SMTP, NTP, DHCP, DNS, PPPOE, DDNS, FTP, IP Filter, QoS, Bonjour
Exposure Mode	Manual/Low noise/Low motion blur/Auto Ranges from 1/3 to 1/10000	Smart Phone/ Tablet Compatibility	iOS; Android™
Maximum Video Frame Rate	Main Stream: 1920x1080 @ 30 fps Sub Stream: 704x576 @ 30 fps	Network	
Noise Reduction	3D	Remote Operation	Monitor; system setup; log information; maintenance upgrade
Video Flip	Supports mirror function and flip function	Accessories	
Snapshot	Maximum 1 snapshot/s, saved as a JPEG	Installation	Ball: Ceiling and wall mount (optional) Bullet: With the bracket (included)
Privacy Mask	Supports 4 privacy mask zones (maximum)	Regulatory	
Video Setup	Supports parameter setup such as brightness and contrast	Emissions	FCC Part 15B, CE (EN 55022)
Video Information	Channel title; time title; motion detection; privacy mask	Immunity	EN-50130-4
Motion Detection	396 (18 x 22) detection zones; Sensitivity level ranges from 0 to 100; area threshold ranges from 0 to 100. Activation event: video storage; image snapshot; log; email function	Safety	EN 60950-1 North America UL listed to UL/CSA 60950-1
Electrical		* Actual bitrate is scene and motion dependent with H.264 stream.	
Power Supply	12 V DC PoE IEEE 802.3af, Type 1, Class 2	** Some development might be required in specific user cases to support some of these protocols in the field as naturally protocols will mature over time.	
Power Consumption	6 W maximum		
Mechanical			
Dimensions	Ball: Ø4.5 x 3.4 inches (Ø114 x 86 mm) Bullet: 7.0 x 2.6 x 2.3 inches (178.4 x 66.0 x 58.4 mm)		
Weight	Ball: 0.64 pounds (0.29 kg) Bullet: 1.10 pounds (0.5kg)		
Construction	Housing: Die-cast aluminum and polycarbonate, Color: White		
Recording and Storage	Network storage		
Connectors	1-channel wire Ethernet port; 10/100 Base-T Ethernet		

DIMENSIONS

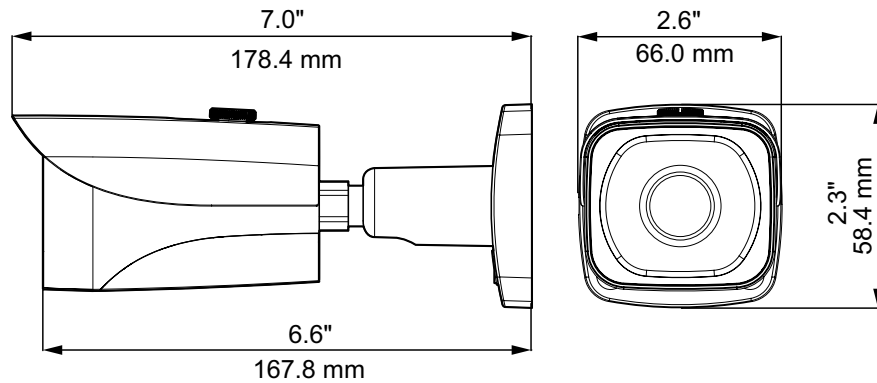
HEN Embedded NVR



H2D2PR1 Ball Camera



HBD2PR1 Bullet Camera



Performance Series IP Embedded NVR Kits www.honeywellvideo.com

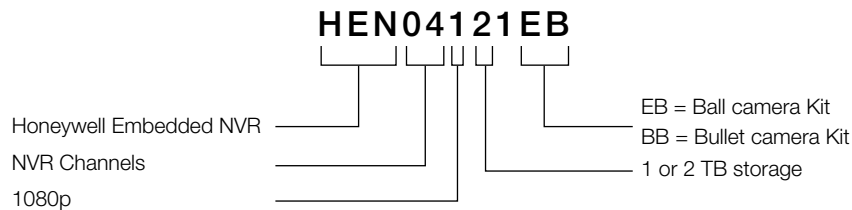
ORDERING

Model Number	Description
HEN04111EB	H.264 1080p 4CH NVR 1TB AND 4 pcs H.264 1080p IR BALL Cameras
HEN04121EB	H.264 1080p 4CH NVR 2TB AND 4 pcs H.264 1080p IR BALL Cameras
HEN04111BB	H.264 1080p 4CH NVR 1TB AND 4 pcs H.264 1080p IR BULLET Cameras
HEN04121BB	H.264 1080p 4CH NVR 2TB AND 4 pcs H.264 1080p IR BULLET Cameras

Accessories	
HE-JB	In-ceiling Mount, Back Box (for Ball Camera)

Recommended Cables	
Part Number	Description (Application)
6360	Cat 6 Riser (Cameras)
6361	Cat 6 Plenum (Cameras)
2101	22/2 Solid Riser (Alarm Inputs)
3101	22/2 Solid Plenum (Alarm Inputs)
2114	18/2 Stranded Riser (Alarm Outputs)
3114	18/2 Stranded Plenum (Alarm Outputs)

NOTE: Honeywell reserves the right, without notification, to make changes in product design or specifications.



Automation and Control Solutions

Honeywell Security Products Americas
2700 Blankenbaker Pkwy, Suite 150
Louisville, KY 40299
1.800.323.4576
www.honeywell.com

Honeywell