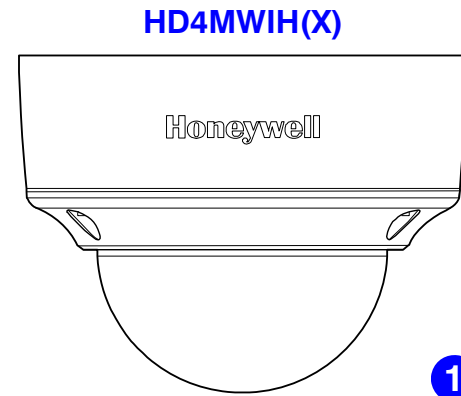


EQUIP® Series

720p Wide Dynamic True Day/Night Rugged IP Dome Camera Quick Install Guide

Document 800-09875V1 – Rev A – 11/2011



- 1 Preparation
- 2 Camera Installation
- 3 Network Setup
- 4 Camera Operation

Introduction

Thank you for purchasing a Honeywell EQUIP Series 720p Wide Dynamic True Day/Night IP Dome Camera. Before installing the camera, please read this guide carefully and verify your model:

HD4MWH/HD4MWHX, Wide Dynamic, 720p resolution, 3.3 - 12 mm Vari-focal Auto Iris lens

For detailed information for your specific camera, please refer to the appropriate user guide located on the IP Utility DVD. When you install the Honeywell IP Utility software, the User Guide will automatically be downloaded to your computer.

Before installing the camera, Honeywell recommends that you download the latest software updates. Go to www.honeywell.com/support/downloadcenter/index.html and follow the instructions on the page to logon, find your camera, and then download software updates.

Operating Notes

Power Supply This dome camera can operate on 24V AC or PoE.

Operating Conditions Avoid:

- Viewing bright objects (for example, light fixtures) for extended periods
- Operating or storing the unit in the following locations.
 - Extremely humid, dusty, hot/cold environments (where the operating temperature is outside the recommended range of 14°F to 122°F [-10°C to +50°C])
 - Close to sources of powerful electromagnetic radiation, such as radio or TV transmitters
 - Close to fluorescent lamps or objects reflecting light
 - Under unstable light sources (may cause flickering)

1 Preparation

Removing the Dome Bubble and Turret

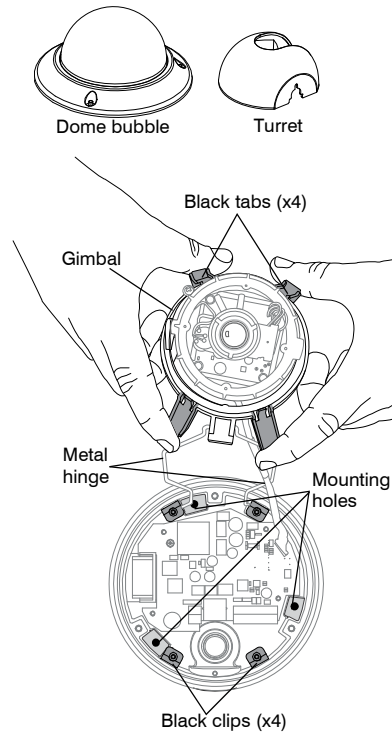
1. Using the supplied Allen key, loosen the captive screws on the dome bubble. Remove the dome bubble and set it aside.
2. Gently pull the turret off the gimbal, then set it aside.

Removing the Gimbal

Remove the gimbal from the enclosure base so you can easily access the mounting holes (see illustration).

1. Squeeze the 4 black tabs until they are free of the black clips.
2. Elevate the hinge until the gimbal is above the housing and you have access to the enclosure base mounting holes.

Caution When elevating the hinge, do not overstress the two ribbon cables. If necessary, rotate the gimbal to provide additional slack.



Preparing the Mounting Surface

Note To prevent moisture from entering the housing, position the enclosure with the side conduit entry pointing down.

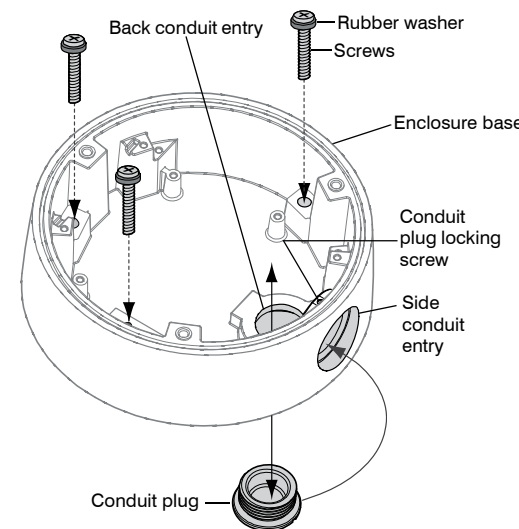
Note The housing is intended for mounting on a flat surface only.

1. Use the mounting template to mark the mounting surface for the screw holes and the cable access hole.
2. Pre-drill holes in the mounting surface as required.

Installing the Conduit Plug

The HD4 EQUIP Series camera ships with the conduit plug pre-installed in the enclosure base back conduit entry. To use the back conduit entry, remove the conduit plug and install it in the side conduit entry after loosening the locking screw. (See *Top View* in *Adjusting the Camera* in *Camera Installation*.) Retighten the locking screw to secure the conduit plug in place.

Note For secure installations, protect surface-mounted cables with plastic or metal cable covers.



2 Camera Installation

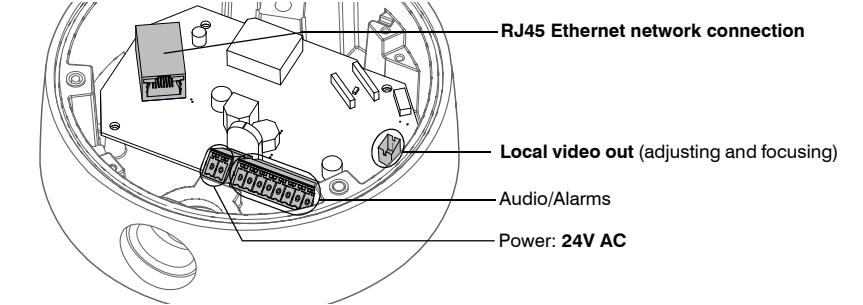
Mounting the Camera

1. Route the cables through your chosen conduit entry.
2. Mount the camera to a wall or ceiling using the supplied screws.

If you are using screws other than those supplied by Honeywell, then please remove the rubber washers from the Honeywell-supplied screws, and then install them under the head of each of your screws. See the *Installing the Conduit Plug* illustration.

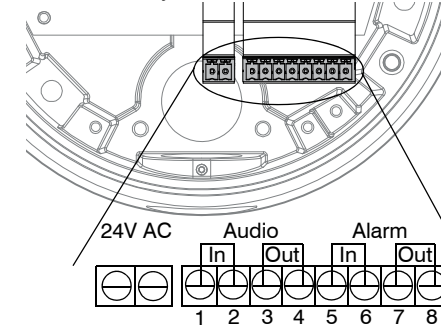
Connecting the Wiring

1. Connect the power input:
 - For 24V AC connection, locate the two-pin green connector that was shipped with your camera and make the necessary connections.
 - For PoE connection, connect a CAT5 cable to the RJ45 network connector.



Note It is not recommended that you supply both 24V AC and PoE at the same time.

2. Connect the alarms and audio: Locate the eight-pin green connector that was shipped with your camera and make all the necessary connections as shown in the table below.



PIN	Definition
1	Audio In +
2	Audio In -
3	Audio Out +
4	Audio Out -
5	Alarm In +
6	Alarm In -
7	Alarm Out +
8	Alarm Out -

3. Connect to the network: If you haven't already connected a CAT5 cable to the RJ45 network connector for PoE, then connect a CAT5 cable to the RJ45 network connector.

Note For detailed audio and alarm configuration information, refer to the User Guide for your camera located on the IP Utility DVD.

Sealing the Wiring

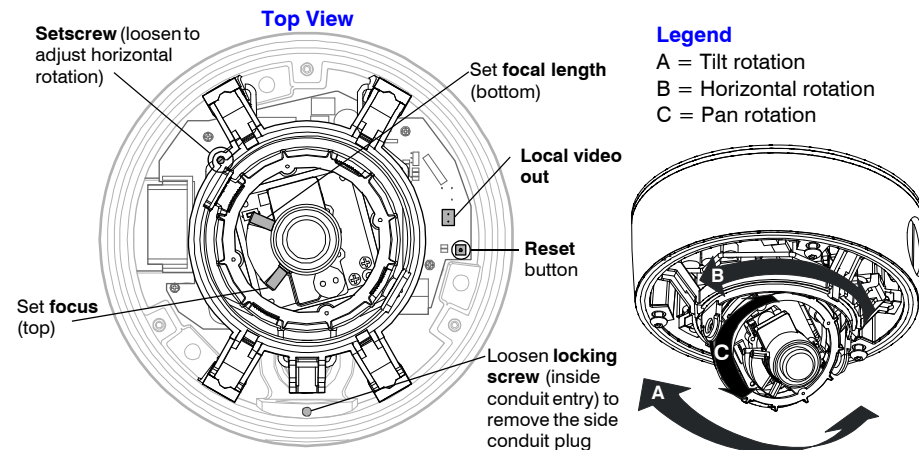
To prevent moisture from entering the housing, if you are using the back conduit entry, apply sealant around the conduit connection and the mounting screws.

Adjusting the Camera

1. Verify that power is applied to the camera.

Note If your installation involves a 24V AC power source, then please wait approximately 60 seconds after connecting to a power source for video to appear on the local video out.

2. Reinstall the gimbal by inserting the black tabs into the black clips on the enclosure base.
3. Connect the supplied video cable to the local video out connector to view the video signal on a standard monitor (see illustration below for local video out connector location).
4. Loosen the setscrew that locks the gimbal assembly in place to adjust the horizontal rotation.
5. Adjust the camera to the desired view. Adjust the horizontal, pan, and tilt rotations so that the area of interest is at the center.



6. Retighten the setscrew to lock the gimbal assembly in place.
7. Disconnect the supplied video cable.

Reinstalling the Turret and the Dome Bubble

1. Align the turret on the gimbal, then gently press until the turret clicks securely into place.
2. Align the dome bubble captive screws with the mounting holes in the enclosure base, then securely screw them into place.



3 Network Setup

Installing the Honeywell IP Utility

Note Before installing and using the Honeywell IP Utility, ensure that your camera is connected to your network through a CAT5 Ethernet cable.


To discover the IP camera devices and configure their network settings, you must first install the IP Utility. See the appropriate user guide located on your software DVD or on the Honeywell product web site. You must have Windows administrator privileges for the workstation on which the Honeywell IP Utility is being installed.

Note We recommend that you disable any Norton AntiVirus software that might be running on the workstation.

1. Insert the DVD. Autorun will start the installation. If autorun does not start, browse to the DVD drive and run **Honeywell IP Utility Setup.exe**.
2. Follow the steps in the InstallShield Wizard.
3. Log on to the IP Utility:
 - a. Double-click the IP Utility icon () on the desktop. The logon dialog box appears.
 - b. From the **Username** list, select **Administrator** or **Guest**.
 - c. Type the case-sensitive **Password** and click . The default passwords are **1234** (Administrator) or **guest** (Guest user).

Note This camera supports the PSIA specification for interoperability between network video products. There is no support for legacy EQUIP and EQUIP2 products.

Configuring the Network


1. After you log on to the IP utility, the devices on the network are automatically discovered and listed in the **Discovery** pane. After the initial discovery, auto-refresh continues to discover newly added network devices.
2. Connect to your IP camera device by double-clicking it in the **Discovery** pane or by selecting it and clicking .
3. Configure the IP network settings:
 - **Automatically.** Connect to the device, click the **System** tab, select to **Obtain an IP Address automatically**, enter the Device Name, and click **Apply**. The network settings are automatically assigned from the network server.
 - **Manually.** Connect to the device, click the **System** tab. Ensure **Obtain an IP Address automatically** is not selected, then enter the Device Name, IP Address, Subnet Mask, and Gateway. Click **Apply**.

Caution Check the IP network settings before clicking **Apply**. Incorrect values might cause a failure when connecting the tool to the device.

Note Contact your network administrator if you have any network-related issues or questions about your network.

4 Camera Operation

The camera has a web client that enables you to view video and configure device settings for the camera using a standard web browser. See the appropriate user guide located on your software DVD to set up your web browser to view video. To log on to the web client application:

1. Launch Internet Explorer and enter the URL (IP address) for the network camera. OR, launch the web client application from the IP Utility by clicking **Launch Browser**.
2. Select the User Name as **admin** or **guest**.
3. Enter the case-sensitive password and click . The default passwords are **1234** (Administrator) or **guest** (Guest user).

FCC Compliance Statement

Information to the User: This equipment has been tested and found to comply with the limits for a Class A digital device. Pursuant to Part 15 of the FCC Rules, these limits are designed to provide reasonable protection against harmful interference when the equipment is operated in a commercial environment. This equipment generates, uses, and can radiate radio frequency energy and, if not installed and used in accordance with the instruction manual, may cause harmful interference to radio communications. Operation of this equipment in a residential area is likely to cause harmful interference in which case the user will be required to correct the interference at his own expense.

Caution Changes or modifications not expressly approved by the party responsible for compliance could void the user's authority to operate the equipment.

This Class A digital apparatus complies with Canadian ICES-003.

North America

The equipment supplied with this guide conforms to UL 60950-1 and CSA C22.2 No. 60950-1.

Manufacturer's Declaration of Conformance




The manufacturer declares that the equipment supplied with this guide is compliant with the essential protection requirements of the EMC directive 2004/108/EC and the General Product Safety Directive 2001/95/EC, conforming to the requirements of standards EN 55022 for emissions, EN 50130-4 for immunity, and EN 60950 for Electrical Equipment safety.

WARNING! This is a Class A product. In a domestic environment this product may cause radio interference in which case the user may be required to take adequate measures.

Warnings

Installation and servicing should be performed only by qualified and experienced technicians to conform to all local codes and to maintain your warranty.

WARNING! 24V AC models require the use of CSA Certified/UL Listed Class 2 power adapters to ensure compliance with electrical safety standards. Power over Ethernet (PoE) should meet the IEEE 802.3 af PoE standard.

	CAUTION RISK OF ELECTRIC SHOCK DO NOT OPEN		THIS SYMBOL INDICATES THAT DANGEROUS VOLTAGE CONSTITUTING A RISK OF ELECTRIC SHOCK IS PRESENT WITHIN THE UNIT.
CAUTION: TO REDUCE THE RISK OF ELECTRIC SHOCK, DO NOT REMOVE THE COVER. NO USER-SERVICEABLE PARTS INSIDE. REFER SERVICING TO QUALIFIED SERVICE PERSONNEL.			THIS SYMBOL INDICATES THAT IMPORTANT OPERATING AND MAINTENANCE INSTRUCTIONS ACCOMPANY THIS UNIT.



WEEE (Waste Electrical and Electronic Equipment). Correct disposal of this product (applicable in the European Union and other European countries with separate collection systems). This product should be disposed of, at the end of its useful life, as per applicable local laws, regulations, and procedures.

Contact Information

Honeywell
www.honeywellvideo.com
 +1.800.796.CCTV (North America only)
HVSsupport@honeywell.com

Document 800-09875V1 – Rev A – 11/2011

© 2011 Honeywell International Inc. All rights reserved. No part of this publication may be reproduced by any means without written permission from Honeywell. The information in this publication is believed to be accurate in all respects. However, Honeywell cannot assume responsibility for any consequences resulting from the use thereof. The information contained herein is subject to change without notice. Revisions or new editions to this publication may be issued to incorporate such changes.

Product Dimensions

