

Operating Notes

Power Supply This dome camera can operate on 24 V AC or 12 V DC.

- Operating Conditions**
- Avoid viewing bright objects (for example, light fixtures) for extended periods.
 - Avoid operating or storing the unit in the following locations:
 - Extremely humid, dusty, hot, or cold environments (where the operating temperature is outside the recommended range of -40°F to 131°F [-40°C to 55°C] with heater on)
 - Close to sources of powerful electromagnetic radiation, such as radio or TV transmitters
 - Close to fluorescent lamps or objects reflecting light
 - Under unstable light sources (may cause flickering)

Warnings

- Installation and servicing should be performed only by qualified and experienced technicians to conform to all local codes and to maintain your warranty.
- The use of CSA Certified/UL Listed Class 2 power adapters is required to ensure compliance with electrical safety standards.



WEEE (Waste Electrical and Electronic Equipment).
Correct disposal of this product (applicable in the European Union and other European countries with separate collection systems)

This product should be disposed of, at the end of its useful life, as per applicable local laws, regulations, and procedures.

Regulatory Notices

FCC Compliance Statement

Information to the User: This equipment has been tested and found to comply with the limits for a Class B digital device, pursuant to Part 15 of the FCC Rules. These limits are designed to provide reasonable protection against harmful interference in a residential installation. This equipment generates, uses, and can radiate radio frequency energy and, if not installed and used in accordance with the instruction manual, may cause harmful interference to radio communications. However, there is no guarantee that interference will not occur in a particular installation. If this equipment does cause harmful interference to radio or television reception, which can be determined by turning the equipment off and on, the user is encouraged to try to correct the interference by one of the following measures:

- Reorient or relocate the receiving antenna.
- Increase the separation between the equipment and receiver.
- Connect the equipment to an outlet on a circuit different from that to which the receiver is connected.
- Consult the dealer or an experienced radio/TV technician for help.

Changes or modifications not expressly approved by the party responsible for compliance could void the user's authority to operate this equipment.

Canadian Compliance Statement

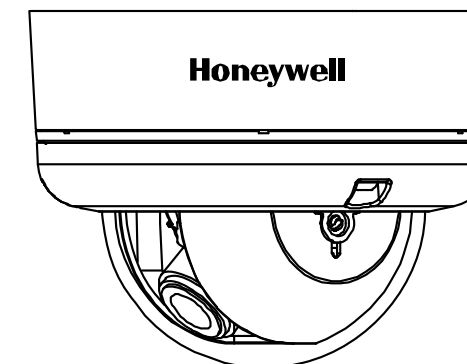
This Class B digital apparatus complies with Canadian ICES-003.
Cet appareil numérique de la classe B est conforme à la norme NMB-003 du Canada.

Manufacturer's Declaration of Conformance

The manufacturer declares that the equipment supplied with this guide is compliant with the essential protection requirements of the EMC directive 2004/108/EC and the General Product Safety Directive (GPSD) 2001/95/EC, conforming to the requirements of standards EN 55022 for emissions, EN 50130-4 for immunity, and EN60950 for Electrical Equipment safety.

4-Inch Dome Camera Quick Install Guide

Document 800-08065 – Rev E – 05/11



Model Numbers

HD4D3S(X)
HD4D9S(X)
HD4DAFS(X)
HD4DIRS(X)
HD4US(X)

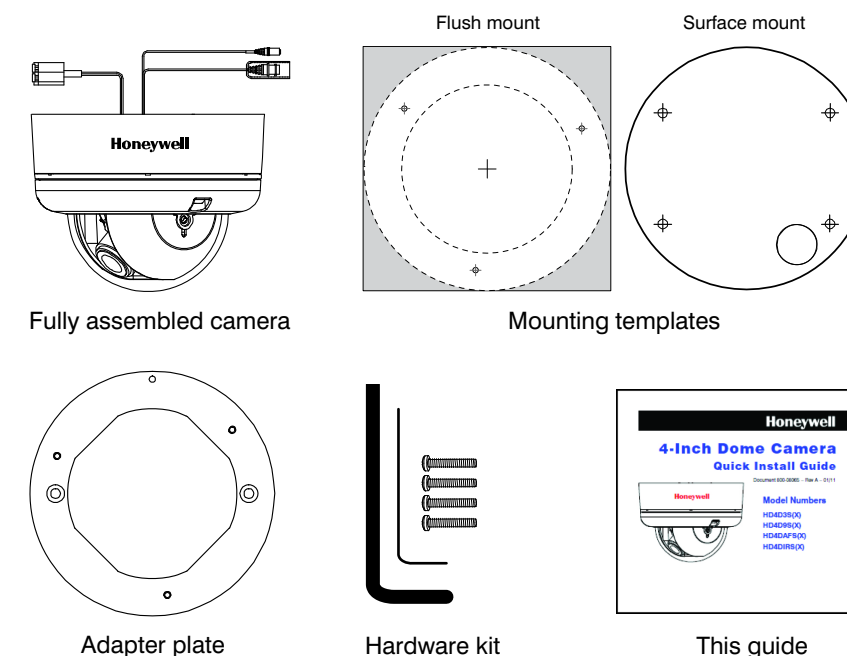
Honeywell

www.honeywellvideo.com
+1.800.796.CCTV (North America only)
HVSsupport@honeywell.com

Document 800-08065 – Rev E – 05/11

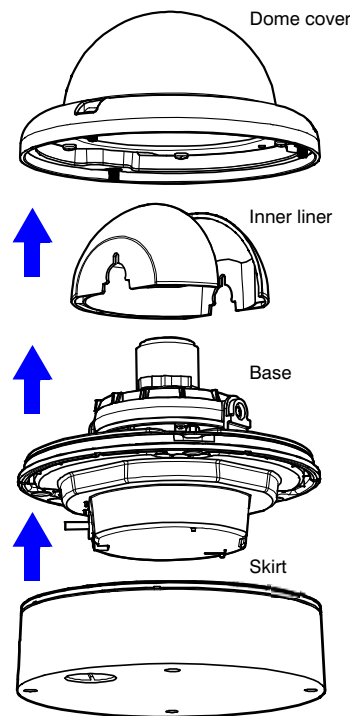
© 2011 Honeywell International Inc. All rights reserved. No part of this publication may be reproduced by any means without written permission from Honeywell Systems. The information in this publication is believed to be accurate in all respects. However, Honeywell Systems cannot assume responsibility for any consequences resulting from the use thereof. The information contained herein is subject to change without notice. Revisions or new editions to this publication may be issued to incorporate such changes.

Package Contents



1 Preparation

1. Disassemble the Camera



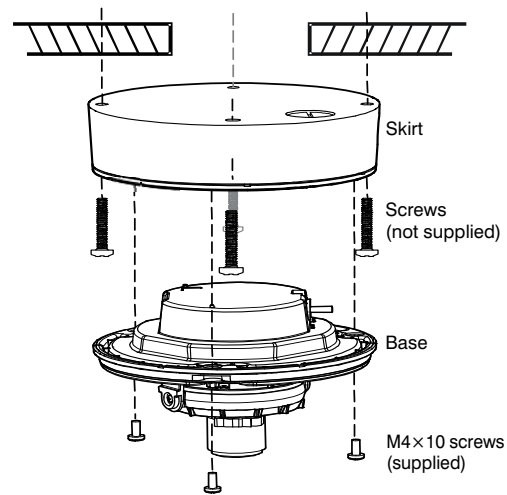
- Using the supplied 5/32-inch Allen key, loosen the three security screws and carefully remove the dome cover.
- Gently pull the inner liner off of the base.
- Remove the three M4×10 screws connecting the base to the skirt, and then lift the base off of the skirt.

To reattach the dome cover after you have mounted the camera and adjusted the settings (2, 3):

- Push the inner liner onto the base until it snaps into place.
- Push the dome cover onto the base and tighten the security screws.

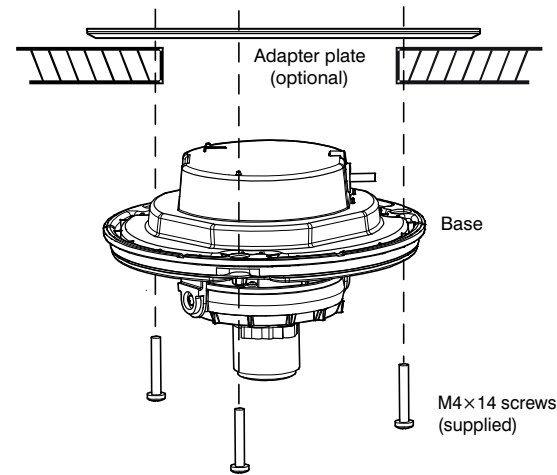
2 Installation

Surface Mount



- Attach the skirt to the mounting surface using appropriate screws (not supplied).
- Attach the base to the skirt using the supplied M4×10 screws.

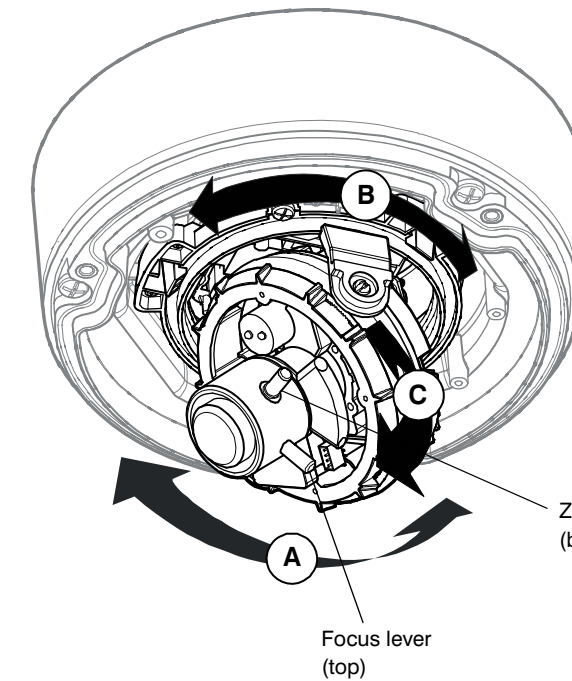
Flush Mount



- With adapter plate:* Attach the base to the mounting surface using the supplied M4×14 screws.
- Without adapter plate:* Attach the base to the mounting surface using appropriate screws (not supplied).

3 Setup

1. Adjust the View Angle

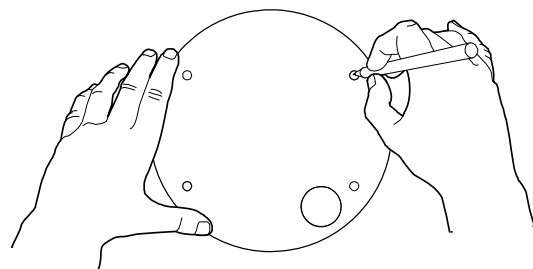


Legend

- A = Tilt rotation
- B = Horizontal rotation*
- C = Pan rotation

* If necessary, loosen the screw that locks the gimbal assembly in place before adjusting the camera.

2. Prepare the Mounting Surface (Surface or Flush Mount)

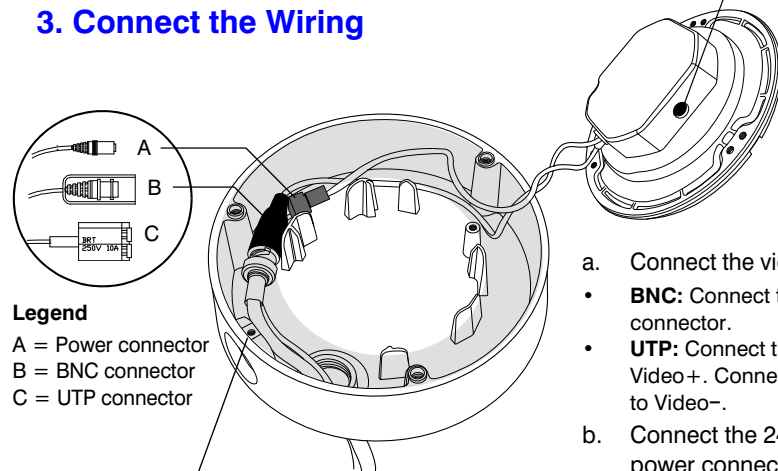


Note Surface mount preparation shown.

- Using the appropriate mounting template, mark the holes as required.
- Insert screw anchors (not supplied) into the holes.

Do not touch or damage the black vent.

3. Connect the Wiring



Legend

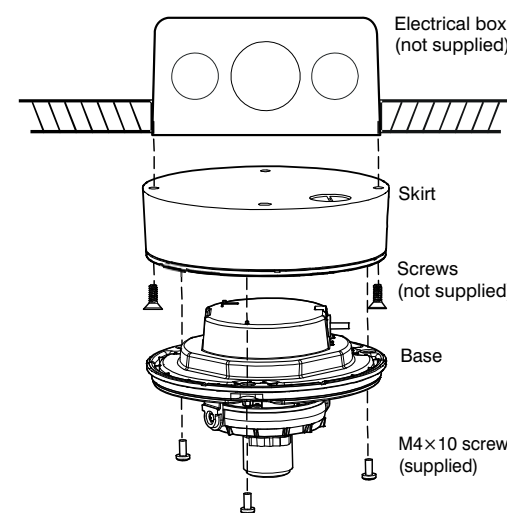
- A = Power connector
- B = BNC connector
- C = UTP connector

To use the side conduit, remove the security screw with the supplied 1.5 mm Allen key, and then unscrew the conduit plug.

- Connect the video connector:
 - BNC:** Connect to a mating BNC connector.
 - UTP:** Connect the blue wire to Video+. Connect the white wire to Video-.
- Connect the 24 V AC/12 V DC power connector.
- Route wiring behind posts (grayed area).

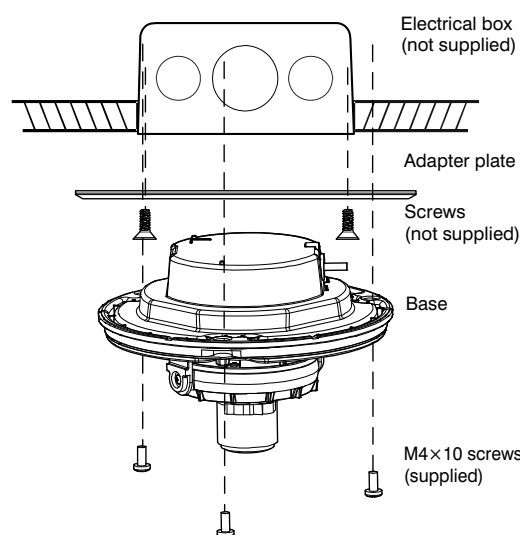
4S Electrical Junction Box (Optional)

Surface Mount



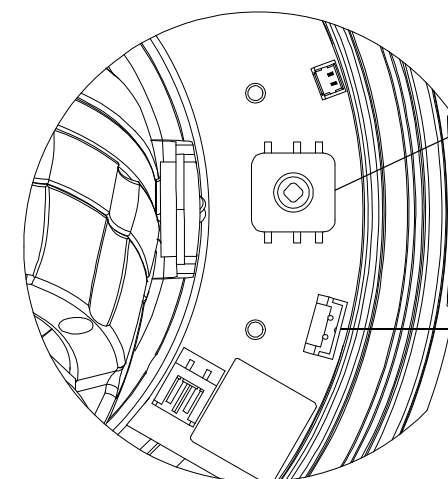
- Attach the skirt to the electrical box using appropriate screws (not supplied).
- Attach the base to the skirt using the supplied M4×10 screws.

Flush Mount



- Attach the adapter plate to the electrical box using appropriate screws (not supplied).
- Attach the base to the adapter plate using the supplied M4×10 screws.

2. Configure the Camera Settings Using the OSD



OSD controller

To access the OSD menu, press the OSD controller. Use the joystick to navigate through the menu.

Monitor out (2nd Video)

To verify that the view angle and camera settings are correct, you can connect to a portable monitor using the supplied adapter cable.

Note For detailed information regarding OSD menu options, refer to your model's user guide.