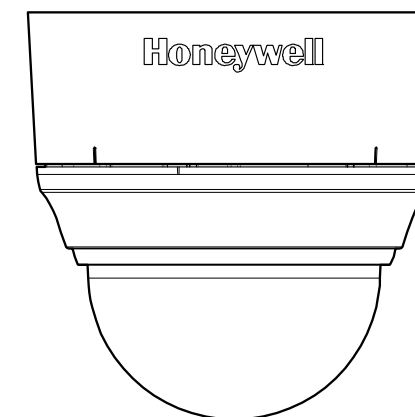


Performance Series Indoor Day/Night H.264 IP Dome Camera Quick Install Guide

Document 800-09310 – Rev A – 06/2011



- 1 Preparation
- 2 Camera Mounting
- 3 Camera Adjustment
- 4 Network Setup
- 5 Camera Operation

Operating Notes

Power Supply This dome camera can operate on 24 V AC or PoE.

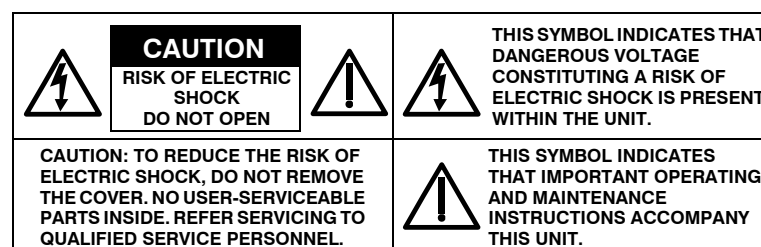
Operating Conditions Avoid:

- Viewing bright objects (for example, light fixtures) for extended periods.
- Operating or storing the unit in the following locations:
 - Extremely humid, dusty, hot/cold environments (where the operating temperature is outside the recommended range of 14°F to 122°F [-10°C to +50°C])
 - Close to sources of powerful electromagnetic radiation, such as radio or TV transmitters
 - Close to fluorescent lamps or objects reflecting light
 - Under unstable light sources (may cause flickering)

Warnings

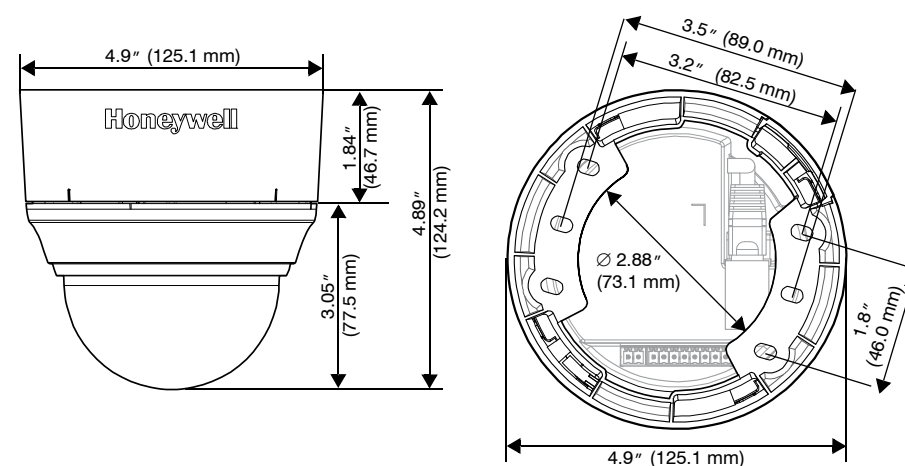
Installation and servicing should be performed only by qualified and experienced technicians to conform to all local codes and to maintain your warranty.

WARNING! 24 V AC models require the use of CSA Certified/UL Listed Class 2 power adapters to ensure compliance with electrical safety standards. Power over Ethernet (PoE) should meet the IEEE 802.3 af PoE standard.



WEEE (Waste Electrical and Electronic Equipment). Correct disposal of this product (applicable in the European Union and other European countries with separate collection systems). This product should be disposed of, at the end of its useful life, as per applicable local laws, regulations, and procedures.

Product Dimensions



FCC Compliance Statement

Information to the User: This equipment has been tested and found to comply with the limits for a Class B digital device. Pursuant to Part 15 of the FCC Rules, these limits are designed to provide reasonable protection against harmful interference in a residential installation. This equipment generates, uses, and can radiate radio frequency energy and, if not installed and used in accordance with the instruction manual, may cause harmful interference to radio communications. However, there is no guarantee that interference will not occur in a particular installation.

If this equipment does cause harmful interference to radio or television reception, which can be determined by turning the equipment off and on, the user is encouraged to try to correct the interference. For example, try reorienting or relocating the receiving antenna, increasing the separation between the equipment and receiver, or connecting the equipment to an outlet on a different circuit.

Caution Changes or modifications not expressly approved by the party responsible for compliance could void the user's authority to operate the equipment.

This Class B digital apparatus complies with Canadian ICES-003.

North America

The equipment supplied with this guide conforms to UL 60950-1 and CSA C22.2 No. 60950-1.

Manufacturer's Declaration of Conformance

The manufacturer declares that the equipment supplied with this guide is compliant with the essential protection requirements of the EMC directive 2004/108/EC and the General Product Safety Directive 2001/95/EC, conforming to the requirements of standards EN 55022 for emissions, EN 50024 for immunity, and EN 60950 for Electrical Equipment safety.

Contact Information

Honeywell

www.honeywellvideo.com
 +1.800.796.CCTV (North America only)
HVSsupport@honeywell.com

Document 800-09310 – Rev A – 06/2011

© 2011 Honeywell International Inc. All rights reserved. No part of this publication may be reproduced by any means without written permission from Honeywell. The information in this publication is believed to be accurate in all respects. However, Honeywell cannot assume responsibility for any consequences resulting from the use thereof. The information contained herein is subject to change without notice. Revisions or new editions to this publication may be issued to incorporate such changes.

Introduction

Thank you for purchasing a Honeywell Performance Series Indoor Day/Night IP Dome Camera. Before installing the camera, please read this guide carefully and verify your model:

- HD45IP/HD45IPX, 720p resolution, 3.3 - 12 mm Vari-focal Auto Iris lens
- HD44IP/HD44IPX, VGA resolution, 3.3 - 12 mm Vari-focal Auto Iris lens

For detailed information on this camera, please refer to the appropriate user guide, located on the IP Utility DVD or on the Honeywell product web site.

Before installing the camera, Honeywell recommends that you download the latest software updates. Go to www.honeywell.com/support/download-center/index.html and follow the instructions on the page to logon, find your camera, and then download the latest software updates.

Unpack Everything

Check that the items received match those listed on the order form and packing slip. The camera packing box should include, in addition to this Quick Install Guide:

- One fully-assembled camera
- One camera hardware kit (includes mounting screws and screw caps)
- One product warranty
- One mounting template
- One BNC cable for local video out (for adjusting aim and focus)
- One software DVD

Equipment Required

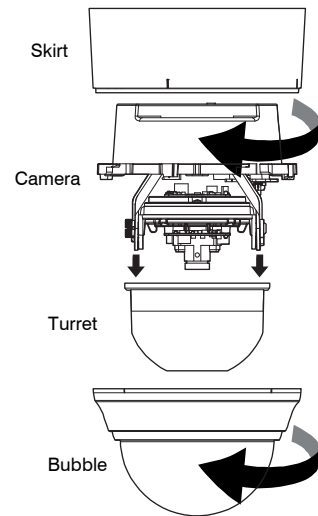
The following tools might help you to complete the installation:

- Drill
- Screwdriver
- Wire cutters

1 Preparation

1. Preparing the Camera

- Rotate the bubble counterclockwise until it disconnects.
- Remove the turret.
- Rotate the camera counterclockwise until it disconnects from the skirt.
- Set aside the bubble, turret, and camera.

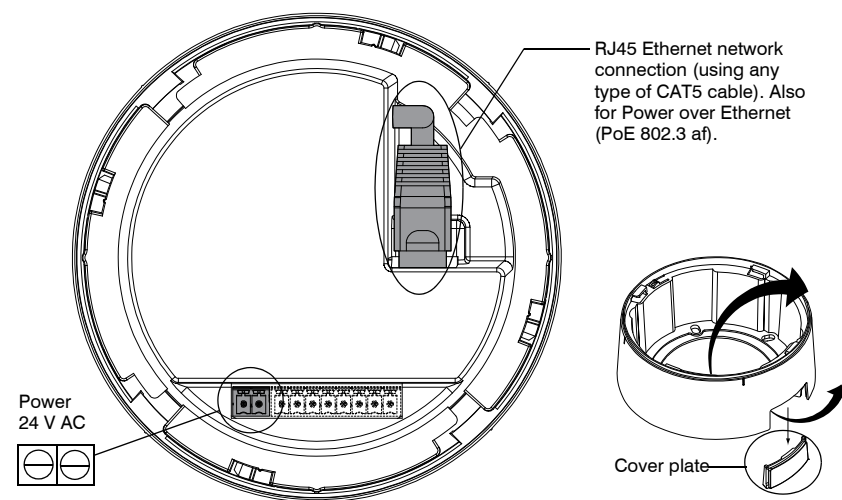


2. Preparing the Mounting Surface (Surface Mount)

- Use the mounting template provided to mark the mounting surface for the screw holes and the wire access hole.
- Pre-drill the marked holes in the mounting surface, as required.

3. Connecting the Wiring

- Pull the wires through the wire access hole (see 2. Preparing the Mounting Surface (Surface Mount) for more information) until you have at least 4 inches of wire.
- Remove the green connector strip from the camera base and make the necessary power connections.
- To power the camera, you can supply power using 24 V AC or PoE.



Note It is NOT recommended that you supply power to the camera from both 24 V AC and PoE at the same time.

- Pull the cables through the back or side entries of the camera skirt, then connect to the camera assembly.

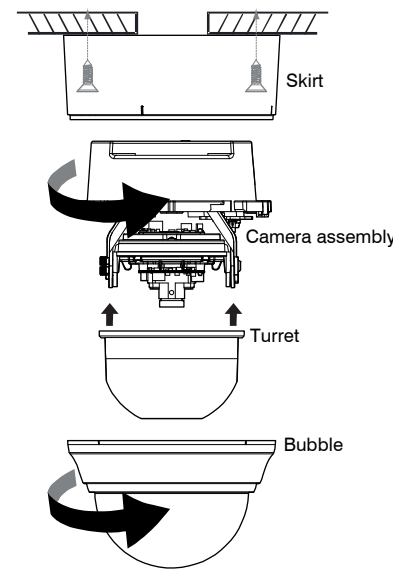
2 Camera Mounting

Surface Mount

- Secure the skirt to the ceiling (using appropriate screws, not supplied) or wall using the supplied screws.

Note When mounting, you must use screws that are able to support at least three times the weight of the camera.

- Rotate and align the yellow label () on the camera assembly with the yellow label on the skirt.
- Secure the camera assembly to the skirt by pushing it into the skirt, then twisting it clockwise until it clicks securely into place.
- Adjust the camera's field of view, as needed (see *Camera Adjustment*).
- Install the turret by clicking it into place.
- Install the bubble by placing it on the camera with the tabs to the left of the slots, then turning it clockwise until the tabs click securely into place.



3 Camera Adjustment

- Apply power to the camera.

Note It is NOT recommended that you supply both 24 V AC and PoE at the same time.

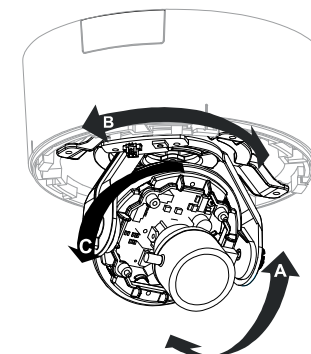
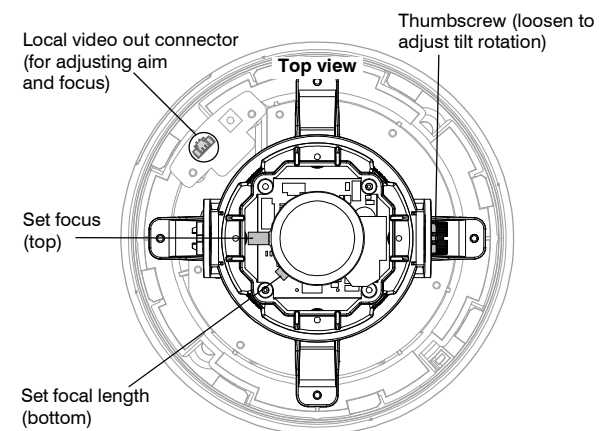
- Connect the BNC video cable to the local video out connector (see illustration below) and view the video signal.

Note Please wait approximately 60 seconds after connecting to a power source for video to appear on the local video out.

- Loosen the thumbscrew that locks the gimbal assembly in place to adjust the tilt rotation.
- Adjust the camera to the desired view. Orient as shown below to maintain the correct picture orientation.

Legend

- A = Tilt rotation
- B = Horizontal rotation
- C = Pan rotation



- Retighten the thumbscrew to lock the gimbal assembly in place.
- Disconnect the BNC video cable.

4 Network Setup

Honeywell IP Utility

Note Before installing and using the Honeywell IP Utility, ensure that your camera is connected to your network through a CAT5 Ethernet cable.

Note It is recommended that you disable any Norton's AntiVirus software that might be running on the workstation.

To discover the IP camera devices and configure their network settings, you must first install the IP Utility. See the appropriate user guide located on the software DVD or on the Honeywell product web site. You must have Windows administrator privileges for the workstation on which the Honeywell IP Utility is being installed.

- Insert the DVD. Autorun will start the installation. If autorun does not start, browse to the DVD drive and run **Honeywell IP Utility Setup.exe**.
- Follow the steps in the InstallShield Wizard.
- Log on to the IP Utility:
 - Double-click the IP Utility icon () on the desktop. The logon dialog box appears.
 - From the **User Name** list, select **Admin** or **Guest**.
 - Enter the case-sensitive **Password** and click . The default passwords are **1234** (Administrator) or **guest** (Guest user).

Note This camera supports the PSIA specification for interoperability between network video products.

Configuring the Network

- After you log on to the IP utility, the devices on the network are automatically discovered and listed in the **Discovery** pane. After the initial discovery, auto-refresh continues to discover newly added network devices.
- Connect to your IP camera device by double-clicking it in the **Discovery** pane or by selecting it and clicking .
- Configure the IP network settings:
 - Automatically.** Connect to the device, click the **System** tab, select to **Obtain an IP Address automatically**, enter the Device Name, and click **Apply**. The network settings are automatically assigned from the network server.
 - Manually.** Connect to the device, click the **System** tab. Ensure **Obtain an IP Address automatically** is not selected, then enter the Device Name, IP Address, Subnet Mask, and Gateway values. Click **Apply**.

Caution Check the IP network settings before clicking **Apply**. Incorrect values might cause a failure when connecting to the device.

Note Contact your network administrator if you have any network-related issues or questions about your network.

5 Camera Operation

The camera has a web client that enables you to view video and configure device settings for the camera using a standard web browser. See the appropriate user guide located of the software DVD to set up your web browser to view video. To log on to the web client application:

- Launch Internet Explorer and enter the URL (IP address) for the network camera. OR, launch the web client application from the IP Utility by clicking **Launch Browser**.
- Select the User Name as **Admin** or **Guest**.
- Enter the case-sensitive password and click . The default passwords are **1234** (Administrator) or **guest** (Guest user).