

HD40P

STANDARD RESOLUTION FIXED LENS INDOOR MINIDOME CAMERA

The Performance Series rounds out Honeywell's camera portfolio of indoor, outdoor, and low-light cameras that let end users pick the perfect camera for virtually any installation. Ideal for a diverse range of applications, the Performance Series includes a wide range of high performing IR bullet and minidome cameras that are easy to install and even easier to use.

The HD40P is an indoor fixed minidome camera that provides a versatile, cost-effective and integrated surveillance solution. The compact housing protects the camera from dust and dirt. The visually appealing low profile design blends with its surroundings, making the HD40P the obvious choice for architecturally sensitive installations. The HD40P incorporates a 1/3" interline transfer CCD image sensor that offers 420 TV lines of crisp, clear horizontal resolution. The camera comes equipped with a fixed lens (f=3.8 mm) and a 3D axis gimbal that is capable of 360° of pan, 90° of tilt, and 360° of horizontal rotation.

The HD40P installs quickly and easily. It comes standard with a two-conductor pigtail that connects to the barrel connector so there is no need to cut wires during installation. The HD40P is designed for use in challenging indoor environments, is easy to install, and offers the flexibility of mounting on a wall or ceiling.

Market Opportunities

The HD40P Performance Series camera is designed for cost-effective installations that experience changing light conditions throughout the day. The HD40P offers a simple yet solid design that provides optimum performance for indoor applications, including commercial, residential, foyers, and hotel lobbies — anywhere surveillance must be discreet.

Features

- 1/3" interline transfer CCD
- Standard resolution color: 420 TV lines
- Fixed lens (f=3.8 mm)
- ABS housing and acrylic dome
- Surface mount enclosure for ceiling or wall
- Auto White Balance
- AGC/BLC
- 3D axis gimbal
- Two-conductor pigtail for connection to barrel connector
- 12 V DC input



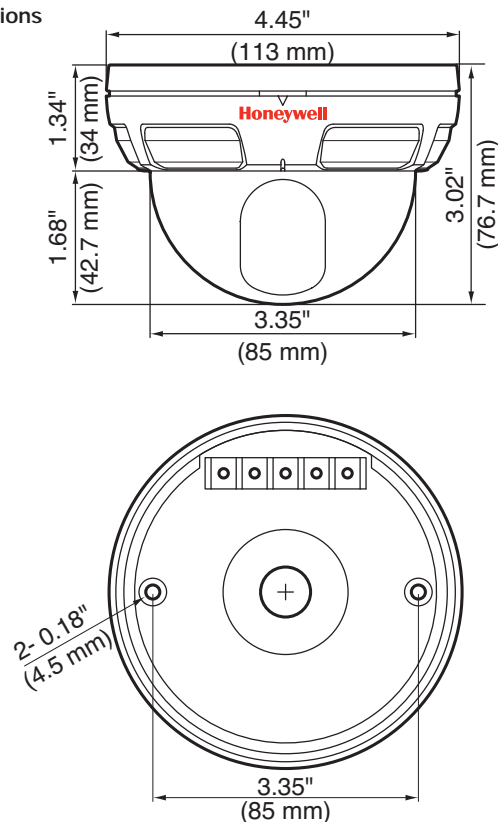
SPECIFICATIONS

Operational	
Video Standard	NTSC/PAL
Scanning System	2:1 interlaced
Image Sensor	1/3" Interline Transfer CCD
Number of Pixels (H x V)	510 x 492 (NTSC) 512 x 582 (PAL)
Minimum Illumination	0.1 lux (color)
Horizontal Resolution	420 TVL
Video Output	1.0 Vp-p, composite @ 75 ohms
Sync System	Internal
S/N Ratio	50 dB or more (AGC off)
Auto Gain Control	Auto
Automatic Electronic Shutter	1/60 – 1/120,000 sec (NTSC) 1/50 – 1/120,000 sec (PAL)
White Balance	Auto (AWB)
BLC	Auto
Gamma	0.45
Lens Type	Fixed (f=3.8 mm)
Angle of View	H: 70° V: 51°
Electrical	
Input Voltage	12 V DC ± 10%
Power Consumption	2.5 W (max)
Mechanical	
Dimensions (W x H)	4.45" x 3.02" (113.0 mm x 76.7 mm)
Weight	0.46 lb. (0.21 kg)
Construction	Housing: ABS Dome: Acrylic Finish: Light gray
Connectors	Video Output: BNC connector Power Input: 2.1 mm plug

NOTE: Honeywell reserves the right, without notification, to make changes in product design or specifications.

Environmental	
Temperature	Operating: 14°F to 122°F (-10°C to 50°C) Storage: -4°F to 140°F (-20°C to 60°C)
Relative Humidity	0% to 90%, non-condensing
Recommended Accessories	
Power Supply	
HPT12DC500	12 V DC/500 mA Plug-in Regulated 2.1 mm Coaxial Plug UL Listed/CSA Certified
Regulatory	
Emissions	FCC, Part 15B, Class A, EN55022
Immunity	EN50130-4

Dimensions



Ordering	
HD40P	Indoor Fixed Minidome Camera, 1/3" CCD, 420 TVL, 3.8 mm Fixed Lens, 12 V DC, NTSC
HD40PX	Indoor Fixed Minidome Camera, 1/3" CCD, 420 TVL, 3.8 mm Fixed Lens, 12 V DC, PAL

Automation and Control Solutions

Honeywell Security Products Americas
2700 Blankenbaker Pkwy, Suite 150
Louisville, KY 40299
1.800.323.4576
www.honeywell.com

L/HD40PD/D
April 2013
© 2013 Honeywell International Inc.

Honeywell