

## HD40H

### PERFORMANCE SERIES 960H RESOLUTION INDOOR MINI DOME CAMERA

The Performance Series line rounds out Honeywell's camera portfolio with a variety of indoor, outdoor, and low-light cameras that are ideal for a diverse range of applications.

#### **Superior Image Quality**

- Sharp, detailed ultra-high resolution image (700 TVL)
- Vivid color rendition during daytime
- Excellent low-light performance (0.1 lux min. illumination)
- 3.6 mm fixed lens

#### **Extremely Low Power Consumption**

- Uses less than 1 W of power

#### **Easy Installation**

- Compact, one-piece design for fast, easy installation
- Mounts directly to a ceiling or wall
- 3-axis rotation (355° pan, 90° tilt, and 355° horizontal rotation)
- Uses existing BNC cabling; no rewiring required
- Backwards compatible with standard analog DVRs

#### **Market Opportunities**

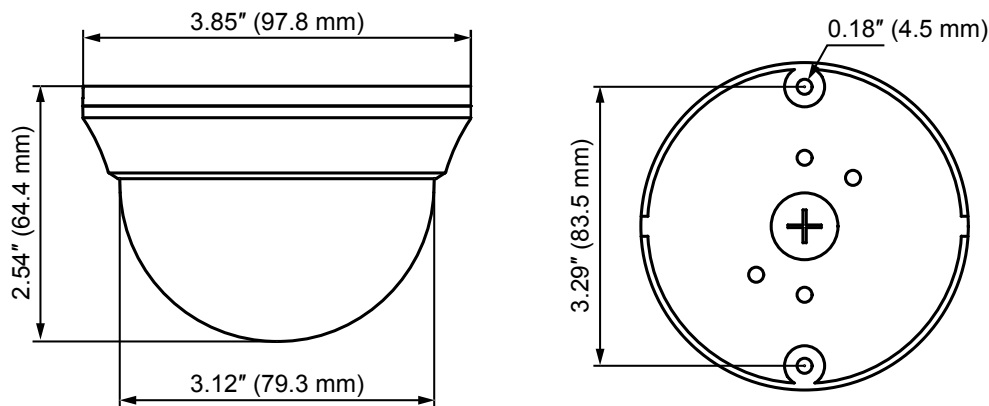
The HD40H is a cost-effective surveillance solution suitable for a wide range of indoor commercial and residential spaces, including building entrances, lobbies, and atriums.



## SPECIFICATIONS

Operational	
Video Standard	NTSC
Scanning System	2:1 interlaced
Image Sensor	1/3" 960H CMOS
Number of Pixels (HxV)	976 x 496
Minimum Illumination	0.1 lux @ F1.2 (AGC on)
Horizontal Resolution	700 TVL
Video Output	1.0 Vp-p, composite @ 75 ohms
Sync System	Internal
S/N Ratio	62 dB or more (AGC off)
Automatic Electronic Shutter	1/60–1/100,000 s
Lens Type	3.6 mm fixed lens
Horizontal Angle of View	68.4°
Gimbal Adjustment	Pan: 355°, Tilt: 90°, Rotation: 355°
AGC	Auto
White Balance	Auto

Electrical	
Input Voltage	12 V DC ±10%
Power Consumption	1.0 W max
Mechanical	
Dimensions	3.85 x 2.54 in. (97.8 x 64.4 mm)
Weight	0.24 lb (0.11 kg)
Construction	Housing: ABS Color: White
Connectors	Video Output: BNC Power Input: 2.1 mm plug
Environmental	
Temperature	Operating: 14°F to 122°F (-10°C to 50°C) Storage: -4°F to 140°F (-20°C to 60°C)
Relative Humidity	0% to 90%, non-condensing
Regulatory	
Emissions	FCC, Part 15B, Class B, EN 55022
Immunity	EN 50130-4
Recommended Accessories	
Power Supply	
HPT12DC500	12 V DC / 500 mA Plug-in Regulated 2.1 mm Coaxial Plug UL Listed/CSA Certified



Ordering	
HD40H	Indoor Mini Dome Camera, 1/3" CMOS, 700 TVL, 3.6 mm Fixed Lens, 12 V DC

**NOTE:** Honeywell reserves the right, without notification, to make changes in product design or specifications.

### For more information:

[www.honeywell.com/security](http://www.honeywell.com/security)

### Automation and Control Solutions

Honeywell Security Products Americas  
2700 Blankenbaker Pkwy, Suite 150  
Louisville, KY 40299  
1.800.323.4576  
[www.honeywell.com](http://www.honeywell.com)

L/HD40HD/D  
September 2014  
© 2014 Honeywell International Inc.