

HD31H, HD31WH

PERFORMANCE SERIES 960H RESOLUTION TRUE DAY/NIGHT INDOOR/OUTDOOR IR BALL CAMERA

The Performance Series line rounds out Honeywell's camera portfolio with a variety of indoor, outdoor, and low-light cameras that are ideal for a diverse range of applications.

Superior Image Quality

- Sharp, detailed ultra-high resolution image (700 TVL)
- Vivid color pictures by day and clear black-and-white pictures at night
- Excellent low-light performance (0.1 lux color, 0 lux b/w)
- 2.8–12 mm varifocal manual iris lens

24-Hour Surveillance

- True Day/Night capability
- 42 IR LEDs provide up to 100 ft (30 m) of illumination, depending on scene reflectance

Dependable Outdoor Performance

- Weatherproof IP66-rated housing
- Vandal resistant

Easy Installation

- Compact design for fast, easy installation
- Mounts directly to a ceiling or wall
- 3-axis rotation (360° pan, 75° tilt, and 360° horizontal rotation)
- Uses existing BNC cabling; no rewiring required
- Backwards compatible with standard analog DVRs
- Easy-to-access external zoom and focus adjustment

Market Opportunities

The HD31H and HD31WH are cost-effective surveillance solutions suitable for both indoor and outdoor applications, including schools, colleges, hospitals, commercial sites, industrial parks, airports, gated entrances, foyers, loading docks, and driveways.



HD31H



HD31WH

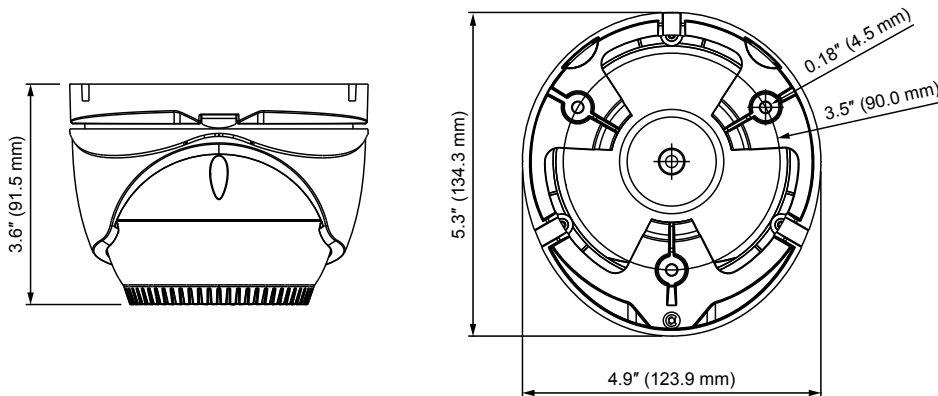
HD31H, HD31WH

www.honeywellvideo.com

SPECIFICATIONS

Operational	
Video Standard	NTSC
Scanning System	2:1 interlaced
Image Sensor	1/3" 960H CMOS
Number of Pixels (HxV)	976 x 496
Minimum Illumination	0.14 lux @ F1.4 (AGC on) 0 lux (IR LEDs on)
Horizontal Resolution	700 TVL
Video Output	1.0 Vp-p, composite @ 75 ohms
Sync System	Internal
S/N Ratio	62 dB or more (AGC off)
Automatic Electronic Shutter	1/60–1/100,000 s
Lens Type	2.8–12 mm, F1.4, VFMI
Horizontal Angle of View	80° (wide) to 27.2° (tele)
Gimbal Adjustment	Pan: 360°, Tilt: 75°, Rotation: 360°
IR LEDs	850 nm, 42 IR LEDs
IR Illumination Distance	Up to 100 ft (30 m), depending on scene reflectance

Electrical	
Input Voltage	12 V DC ±10%
Power Consumption	2.0 W max (IR LEDs off) 5.0 W max (IR LEDs on)
Mechanical	
Dimensions	5.3 x 4.9 x 3.6 in. (134.3 x 123.9 x 91.5 mm)
Weight	1.26 lb (0.57 kg)
Construction	Housing: Die-cast aluminum Finish: White (HD31WH) or dark gray (HD31H)
Environmental	
Temperature	Operating: –40°F to 140°F (–40°C to 60°C) Storage: –4°F to 149°F (–20°C to 65°C)
Relative Humidity	0% to 90%, non-condensing
IP Rating	IP66
Regulatory	
Emissions	FCC, Part 15B, Class B, EN 55022
Immunity	EN 50130-4
Recommended Accessories	
Power Supply	
HPT12DC500	12 V DC / 500 mA Plug-in Regulated 2.1 mm Coaxial Plug UL Listed/CSA Certified



Ordering	
HD31H	TDN Indoor/Outdoor IR Ball Camera, 1/3" CMOS, 700 TVL, 2.8–12 mm VFMI Lens, 42 IR LEDs, 12 V DC, Dark Gray
HD31WH	TDN Indoor/Outdoor IR Ball Camera, 1/3" CMOS, 700 TVL, 2.8–12 mm VFMI Lens, 42 IR LEDs, 12 V DC, White

NOTE: Honeywell reserves the right, without notification, to make changes in product design or specifications.

For more information:

www.honeywell.com/security

Automation and Control Solutions

Honeywell Security Products Americas
2700 Blankenbaker Pkwy, Suite 150
Louisville, KY 40299
1.800.323.4576
www.honeywell.com

Honeywell