

HD273XD2

TDN 2MP HQA Rugged Dome Camera






OPERATIONAL	
VIDEO STANDARD	NTSC/PAL
SCANNING SYSTEM	Progressive scan
IMAGE SENSOR	1/2.9" 2MP CMOS Image Sensor
NUMBER OF PIXELS (H x V)	1984(H) x 1105(V)
MINIMUM ILLUMINATION	0.014 Lux @ (F1.4,AGC ON), 0 Lux with IR
S/N RATIO	More than 62 dB
ELECTRONIC SHUTTER SPEED	1/25(1/30)s to 1/50,000s
RESOLUTION	1080P(1920x1080)
FRAME RATE	25/30 fps @ 1080p
VIDEO OUTPUT	1-channel BNC CVI/TVI/AHD/CVBS video output
IR DISTANCE	Up to 40m(131ft), depending on scene reflectance
IR LIGHT NUMBER	24
SMART IR	Manual
DAY/NIGHT	ICR
BACKLIGHT COMPENSATION	BLC
WHITE BALANCE	Auto/Manual
GAIN CONTROL	AGC
WIDE DYNAMIC RANGE	DWDR
NOISE REDUCTION	DNR
LENS	2.8 - 12 mm, VF, F1.4
ANGLE OF VIEW	105.2° - 32.8°

ELECTRICAL	
POWER SUPPLY	12 VDC, 24 VAC
POWER CONSUMPTION	Max. 5.6W
MECHANICAL	
DIMENSIONS	Ø145.2 x 124.1 mm (Ø 5.72" x 4.9")
WEIGHT	1.7kg (3.75 lb)
CONSTRUCTION	Die-cast aluminum housing with powder coat
CONSTRUCTION COLOR	RAL 9003 (White)
ENVIRONMENTAL	
OPERATING TEMPERATURE	-40 °C ~ 60 °C (-40 °F ~ 140 °F)
RELATIVE HUMIDITY	Less than 95%, non-condensing
INGRESS PROTECTION	IP 66
VANDAL RESISTANCE	IK10
REGULATORY	
EMISSIONS	FCC Part 15B, EN 55032
IMMUNITY	EN 50130-4
SAFETY	UL 60950-1, EN 62368-1
ROHS	EN 50581

TDN 2MP HQA Rugged Dome Camera

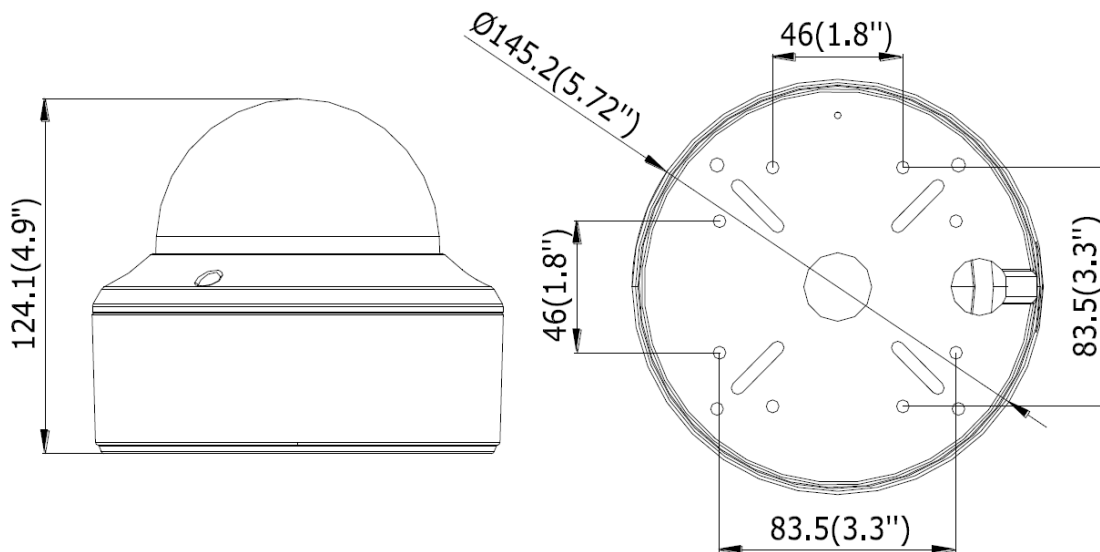
RECOMMENDED ACCESSORIES

SYSTEM COMPATIBILITY		MOUNTS AND ACCESSORIES	
HRHQ104* HQA DVRS	4-channel, 720p@120/100 fps, 1080p@60/50 fps, 1 SATA, alarm I/O	HD273H-PK	 Pendant Mount
HRHQ108* HQA DVRS	8-channel, 720p@240/200 fps, 1080p@120/100 fps, 2 SATA, alarm I/O	HD273H-WM	 Wall Mount
HRHQ116* HQA DVRS	16-channel, 720p@480/400 fps, 1080p@240/200 fps, 2 SATA, alarm I/O	HD273H-IC	 In-Ceiling Mount
HRHT404* HQA DVRS	4-channel 4 MP HQA/IP/CVBS Hybrid DVRs (H.264)		
HRHT408* HQA DVRS	8-channel 4 MP HQA/IP/CVBS Hybrid DVRs (H.264)		
HRHT416* HQA DVRS	16-channel 4 MP HQA/IP/CVBS Hybrid DVRs (H.264)		

ORDERING

HD273XD2	TDN 2MP HQA Rugged Dome Camera, 1/2.9" CMOS, 2.8 - 12 mm VF lens, 24 IR LEDs, 12 VDC, 24 VAC, IP66, IK10
----------	--

DIMENSIONS



For more information

www.honeywellvideo.com

Honeywell Security

2700 Blankenbaker Pkwy, Suite 150

Louisville, KY 40299

1.800.323.4576

www.honeywell.com

Honeywell reserves the right, without notification, to make changes in product design or specifications.

HSV-HD273XD2-01-US(1118)DS-Y
© 2018 Honeywell International Inc.

Honeywell