

HD273H

PERFORMANCE SERIES 960H RESOLUTION TRUE DAY/NIGHT INDOOR/OUTDOOR MINI DOME IR CAMERA

The 960H Performance Series rounds out Honeywell's camera portfolio with a variety of indoor, outdoor, and low-light cameras that are ideal for a diverse range of applications.

Superior Image Quality

- Sharp, detailed ultra-high resolution image (700 TVL)
- Vivid color pictures by day and clear black-and-white pictures at night
- 2.8–12 mm varifocal manual iris lens

24-Hour Surveillance

- True Day/Night capability
- Smart infrared (IR) technology for even distribution of IR
- 24 IR LEDs provide up to 100 ft (30 m) of illumination, depending on scene reflectance

Rugged Performance

- Weatherproof IP66-rated housing
- Up to IK10 impact protection

Easy Installation

- Single model converts to flush or surface mount
- Mounts directly to a ceiling or wall
- 3-axis rotation (355° pan, 80° tilt, and $\pm 90^\circ$ horizontal rotation)
- Uses existing BNC cabling; no rewiring required
- Backwards compatible with standard analog DVRs
- OSD for easy setup

Market Opportunities

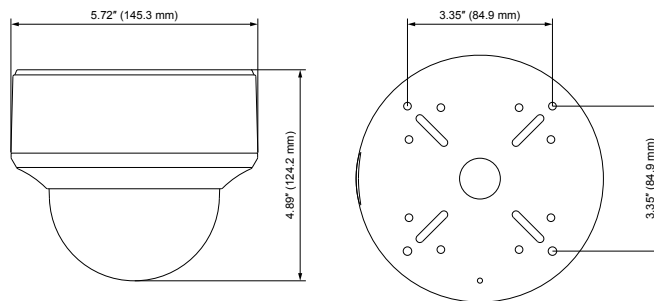
The HD273H is a cost-effective surveillance solution suitable for both indoor and outdoor applications, including schools, colleges, hospitals, commercial sites, industrial parks, airports, gated entrances, foyers, loading docks, and driveways.



SPECIFICATIONS

Operational	
Video Standard	NTSC
Scanning System	2:1 interlaced
Image Sensor	1/3" (1.3 MP) CMOS
Number of Pixels (HxV)	1280 x 960
Minimum Illumination	0.14 lux @ F1.4 (AGC on) 0 lux (IR LEDs on)
Horizontal Resolution	700 TVL
Video Output	1.0 Vp-p, composite @ 75 ohms
Sync System	Internal
S/N Ratio	62 dB or more (AGC off)
Automatic Electronic Shutter	1/30–1/30,000 s
Lens Type	2.8–12 mm, F1.4, VFMI
Horizontal Angle of View	80° (wide) to 27.2° (tele)
Gimbal Adjustment	Pan: 355°, Tilt: 80°, Rotation: ±90°
IR LEDs	850 nm, 24 IR LEDs
IR Illumination Distance	Up to 100 ft (30 m), depending on scene reflectance
Automatic Exposure	Globe AE/DWDR
AGC	Low/Middle/High/Off
White Balance	Auto/Manual
Day/Night Mode	Color/BW/Smart IR
3D DNR	Low/Middle/High/Off
Motion Detection	4 zones
Privacy Mask	On/Off, 8 zones

Electrical	
Input Voltage	12 V DC / 24 V AC ±10%
Power Consumption	7.0 W max (IR LEDs on)
Mechanical	
Dimensions	5.72 x 4.89 in. (145.3 x 124.2 mm)
Weight	2.0 lb (0.9 kg)
Construction	Housing: Die-cast aluminum Finish: White powder coating
Connectors	Video Output: BNC connector Power Input: Screw terminal block
Environmental	
Temperature	Operating: -4°F to 140°F (-20°C to 60°C) Storage: -4°F to 149°F (-20°C to 65°C)
Relative Humidity	0% to 90%, non-condensing
Ingress Protection Rating	IP66
Impact Protection Rating	Up to IK10
Regulatory	
Emissions	FCC, Part 15B, Class B, EN 55022
Immunity	EN 50130-4
Recommended Accessories	
Power Supply	
HPT12DC500	12 V DC / 500 mA Plug-in Regulated 2.1 mm Coaxial Plug UL Listed/CSA Certified
HPT2440	12 V DC / 24 V AC, 40 VA output



Ordering	
HD273H	TDN Indoor/Outdoor IR Mini Dome Camera, 1/3" CMOS, 700 TVL, 2.8–12 mm VFMI Lens, 24 IR LEDs, 12 V DC/24 V AC

NOTE: Honeywell reserves the right, without notification, to make changes in product design or specifications.

For more information:

www.honeywell.com/security

Automation and Control Solutions

Honeywell Security Products Americas
2700 Blankenbaker Pkwy, Suite 150
Louisville, KY 40299
1.800.323.4576
www.honeywell.com