

High Resolution Indoor Box Camera

HCC10 HCC210
HCC10X HCC210X

Quick Installation Guide



800-15951 - A - 09/2013

Warnings

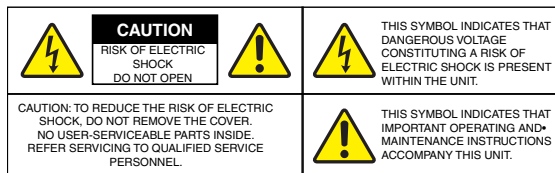
WARNING Installation and servicing should be performed only by qualified and experienced technicians to conform to all local codes and to maintain your warranty.

WARNING This device is configured for 12 V DC or 24 V AC operation. Do not connect to higher voltage. Use only with NRTL-approved Class 2 power supplies.

WARNING To prevent the risk of fire or electric shock hazard, do not expose this camera to rain or moisture.

Important Safety Instructions

- Read and keep these instructions.
- Please ensure that your installation area can safely support the weight of the camera.
- Do not install the camera in extreme temperature conditions. Only use the camera where temperatures are within the limits shown in the specifications section of the guide. Be especially careful to provide ventilation when operating under high temperatures.
- Do not aim the camera at extreme light sources to prevent damage to the CCD.
- This camera is rated for indoor operation. Do not expose this camera to rain or moisture.
- Do not touch the camera lens, dome, or bezel (front glass plate).
- Do not drop the camera or subject it to physical shock.
- Do not use a strong or abrasive detergent when cleaning the camera.



FCC Compliance Statement

Information to the user: This equipment has been tested and found to comply with the limits for a Class A digital device, pursuant to Part 15 of the FCC Rules. These limits are designed to provide reasonable protection against harmful interference when the equipment is operated in a commercial environment. This equipment generates, uses and can radiate radio frequency energy and, if not installed and used in accordance with the instructions, may cause harmful interference to radio communications. Operation of this equipment in a residential area is likely to cause harmful interference in which case the user will be required to correct the interference at his own expense.

Note Changes or modifications not expressly approved by the party responsible for compliance could void the user's authority to operate the equipment.

Canadian Compliance Statement

This Class A digital apparatus complies with Canadian ICES-003.
Cet appareil numérique de la Classe A est conforme à la norme NMB-003 du Canada.

Manufacturer's Declaration of Conformance

The manufacturer declares that the equipment supplied with this guide is compliant with the essential requirements of the EMC Directive 2004/108/EC, the General Product Safety Directive 2001/95/EC and the RoHS Directive 2011/65/EU, conforming to the requirements of standards EN 55022 for emissions, EN 50130-4 for immunity, EN 60950-1 for electrical equipment safety, and EN 50581 for assessment of electrical and electronic products with respect to the restriction of hazardous substances.

Package Includes

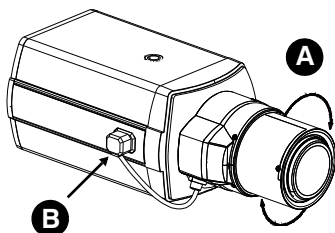
- Camera (1)
- Manuals (3)
- Warranty (1)
- C/CS Mounting Ring (1)

Key Features

- 1/3-inch interline transfer CCD
- High resolution: 600 TVL (HCC10/HCC10X); 650 TVL (HCC210/HCC210X)
- High sensitivity: 0.1 lux minimum illumination (F1.2, 50 IRE, AGC on)
- Configurable day/night settings
- Digital noise reduction
- Backlight compensation
- Auto electronic shutter
- Auto gain control
- Motion detection (4 programmable zones)
- Privacy masking (8 programmable zones)
- On-screen display
- Alarm input/output
- RS-485 port for connecting to a keyboard or DVR
- 12 V DC or 24 V AC

Installing the Lens

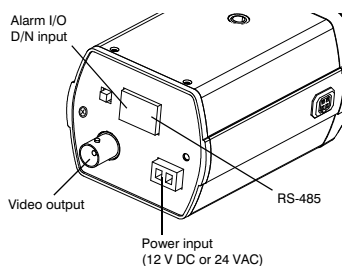
1. Remove the lens mount cap from the camera (if present).
2. Screw the lens clockwise onto the lens mount of the camera (A). If you are using a C-mount lens, you will need to attach the C-mount adapter first.
3. Connect the auto-iris drive cable to the 4-pin connector interface on the side of the camera (B).



Connecting the Wiring

Note Do not turn on the power of any connected equipment until all connections are completed.

1. Connect the power input of the camera to an external 12 V DC or 24 V AC power supply.
2. Connect the video output of the camera to the video input of your monitor.
3. Optionally, make alarm input and output connections. Alarm input is active when shorted to ground. Alarm out is open collector controlled by alarm in. Absolute maximum alarm out values are 12 V DC and 200 mA.
4. Optionally, connect the D/N input of the camera to an external day/night control and set the OSD Day/Night menu to EXT1 or EXT2. When the D/N terminal is connected to the ground (G) terminal, the camera is forced into night mode. The camera remains in night mode until the D/N terminal is disconnected from the ground (G) terminal.
5. Optionally, connect a DVR or keyboard using the RS-485 terminals (D+, D-). Connect T+, T- of the DVR or keyboard to D+, D- of the camera. The default baud rate is 4800, address is 001, and protocol is Pelco-D.



Note The camera address cannot be changed. Only one camera address is supported.

Mounting the Camera

The camera can be installed to a tripod, housing, wall mount, or ceiling mount using the 1/4–20 UNC mounting holes on the top and bottom of the camera.

Adjusting the Lens

After installing the lens and connecting the wiring, you can adjust the lens focus and zoom. If the correct focus cannot be obtained, you can adjust the back focus manually using the back focus screw on the side of the camera.

To adjust the back focus:

1. Fully open the iris, set the zoom ring (if applicable) to full WIDE, set the focus ring to NEAR.
2. Loosen the back focus screw, adjust the back focus ring to focus the picture, and then retighten the back focus screw.

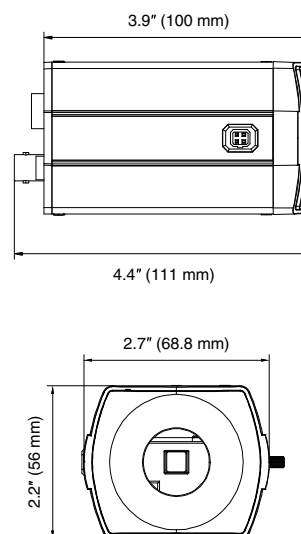
Configuring the Camera

After you have installed the lens, connected the wiring, mounted the camera, and adjusted the lens focus and zoom, you can configure the camera settings using the on-screen display (OSD) setup menu.

For more information about setting up the camera, refer to the *High Resolution Indoor Box Camera User Guide* (800-15952).

Specifications

Video Standard	NTSC, PAL
Image Sensor	1/3-inch interline transfer CCD
Number of Pixels (H×V)	HCC10(X): 768 × 494 (NTSC); 752 × 582 (PAL) HCC210(X): 976 × 494 (NTSC); 976 × 582 (PAL)
Minimum Illumination	0.1 lux color @ F1.2, 50 IRE, AGC on
Horizontal Resolution	HCC10(X): 600 TVL HCC210(X): 650 TVL
Video Output	1.0 Vp-p, 75 ohms
Sync System	Internal, line lock
S/N Ratio	50 dB or more (AGC off)
Auto Gain Control	6 dB to 44.8 dB (Manual)
Automatic Electronic Shutter	1/60–1/100,000 s (NTSC) 1/50–1/100,000 s (PAL)
White Balance	ATW/Push/User1/User2/AntiCR/Manual/Push Lock
BLC/HLC	Off/BLC/HLC
Day/Night	Auto/Day/Night/Ext1/Ext2
Noise Reduction	Y reduction
Motion Detection	Off/On; 4 programmable zones
Privacy Masking	Off/On; 8 programmable zones
Input Voltage	12 V DC/24 V AC (±10%)
Power Consumption	4 W (max)
Dimensions (L×W×H)	4.4" × 2.7" × 2.2" (111.0 mm × 68.8 mm × 56.0 mm)
Weight	0.88 lb (0.4 kg)
Camera Mount	1/4-20 UNC
Lens Mount	C/CS Mount
Connectors	Lens: 4-pin connector Video Output: BNC connector Power Input: 2-pin terminal block Alarm/DN/RS-485: 6-pin terminal block
Temperature	Operating: 14°F to 122°F (–10°C to 50°C) Storage: –4°F to 140°F (–20°C to 60°C)
Relative Humidity	Less than 90%, non-condensing



Honeywell

www.honeywell.com/security
+1.800.323.4576 (North America only)
<https://www.honeywell.com/ss/techsupp/index.html>

Document 800-15951 – Rev A – 09/2013

© 2013 Honeywell International Inc. All rights reserved. No part of this publication may be reproduced by any means without written permission from Honeywell. The information in this publication is believed to be accurate in all respects. However, Honeywell cannot assume responsibility for any consequences resulting from the use thereof. The information contained herein is subject to change without notice. Revisions or new editions to this publication may be issued to incorporate such changes.