

HBD42HD8

WDR 4K IR MFZ Bullet Camera





HD

OPERATIONAL	
VIDEO STANDARD	NTSC/PAL
SCANNING SYSTEM	Progressive scan
IMAGE SENSOR	1/2.9" 2 MP CMOS
EFFECTIVE PIXELS (H × V)	3840x2160
MINIMUM ILLUMINATION	0.005 lux color @ F1.5, 30 IRE, 0 lux (IR LEDs on)
S/N RATIO	>65 dB
ELECTRONIC SHUTTER SPEED	NTSC: 1/3 – 1/100,000 s PAL: 1/4 – 1/100,000 s
RESOLUTION	4K (3840 × 2160) TVL of Resolution: 2550(H) 2550(V) WDR off 2500(H) 2500(V) WDR on
FRAME RATE	15 fps @ 4K 20 fps @ 6M 25/30 fps @ 4M
VIDEO OUTPUT	1-channel BNC high definition video output/CVBS video output (DIP switch)
IR DISTANCE	Up to 150 ft. (50 m), depending on scene reflectance
NUMBER OF IR LEDs	4 IR LEDs
SMART IR	Auto/Manual
DAY/NIGHT	Auto (ICR)/Manual
BACKLIGHT COMPENSATION	BLC/HLC/WDR
WHITE BALANCE LENS	Auto/Manual
GAIN CONTROL	AGC
WIDE DYNAMIC RANGE	120dB
NOISE REDUCTION	2D/3D
PRIVACY MASKING	Up to 8 configurable areas
LENS	3.7 – 11 mm, MFZ lens, F1.5
HORIZONTAL ANGLE OF VIEW	112° ~ 46°
AUDIO	1ch Audio in

ELECTRICAL	
POWER SUPPLY	24 VAC ±30% /12 VDC ±30%
POWER CONSUMPTION	15 W max. (IR LEDs on)
MECHANICAL	
DIMENSIONS	9.61" × 3.56" × 3.56" (244.1 mm × 90.4 mm × 90.4 mm)
PRODUCT WEIGHT	1.76 lb. (0.8 kg)
PACKAGE WEIGHT	2.31 lb. (1.05 kg)
CONSTRUCTION	Die-cast aluminum housing with powder coat
CONSTRUCTION COLOR	RAL 9003 (White)
ENVIRONMENTAL	
OPERATING TEMPERATURE	-22°F to 140°F (-30°C to 60°C)
COLD START	Startup should be done at above -22°F (-30°C)
STORAGE TEMPERATURE	-22°F to 140°F (-30°C to 60°C)
RELATIVE HUMIDITY	Less than 90%, non-condensing
INGRESS PROTECTION	IP66
REGULATORY	
EMISSIONS	FCC, Part 15B, EN55032:2012 +AC:2013
IMMUNITY	EN50130-4:2011
SAFETY	EU: EN60950-1
ROHS	EN50581:2012

WDR 4K IR MFZ Bullet Camera

RECOMMENDED ACCESSORIES

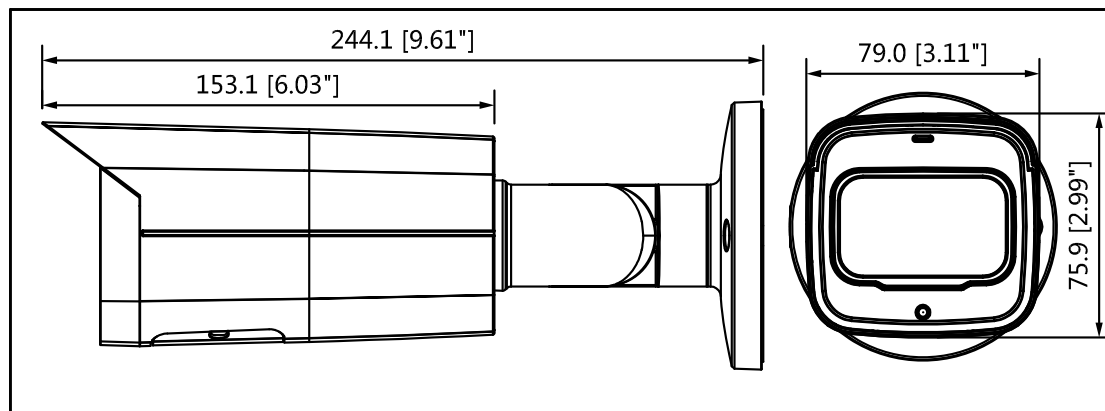
SYSTEM COMPATIBILITY		HOUSING AND MOUNTS	
HRHT404* HQA DVRS	4 MP, 4-channel, 4 MP@15 fps, 1080p@30/25 fps, 1 SATA, Hybrid HQA DVRS	HQA-PM2**	 Pole Mount Adapter
HRHT408* HQA DVRS	4 MP, 8-channel, 4 MP@15 fps, 1080p@30/25 fps, 2 SATA, Hybrid HQA DVRS	HB34S2-CM**	 Corner Mount Adapter
HRHT416* HQA DVRS	4 MP, 16-channel, 4 MP@15 fps, 1080p@30/25 fps, 2 SATA, Hybrid HQA DVRS		

* Pre-installed storage (TB).

** The HBS2-BB or HEJB junction box must be used when installing the camera to HQA-PM2 or HB34S2-CM

ORDERING	
HBD42HD8	WDR 4K IR Bullet Camera, 1/2" CMOS, 3.7-11 mm MFZ Lens, 4 IR LEDs, 12 VDC/24 VAC, IP66

DIMENSIONS



For more information

www.honeywell.com/security

Honeywell Security and Fire

2700 Blankenbaker Pkwy, Suite 150
 Louisville, KY 40299
 1.800.323.4576
www.honeywell.com

Honeywell reserves the right, without notification, to make changes in product design or specifications.

L/HBD42HD8D/D | 06/18
 © 2018 Honeywell International Inc.

Honeywell