




Performance Series HQA HB74HD4 4 MP IR Bullet Camera

Quick Installation Guide

Document 800-22734 – Rev A – 11/2016

Thank you for purchasing a Honeywell Performance Series HQA HB74HD4 camera. Follow the instructions in this guide to install and set up your camera.

Cautions and Warnings

	<p>CAUTION RISK OF ELECTRIC SHOCK DO NOT OPEN</p>		<p>THIS SYMBOL INDICATES THAT DANGEROUS VOLTAGE CONSTITUTING A RISK OF ELECTRIC SHOCK IS PRESENT WITHIN THE UNIT.</p>
<p>CAUTION: TO REDUCE THE RISK OF ELECTRIC SHOCK, DO NOT REMOVE THE COVER. NO USER-SERVICEABLE PARTS INSIDE. REFER SERVICING TO QUALIFIED SERVICE PERSONNEL.</p>			<p>THIS SYMBOL INDICATES THAT IMPORTANT OPERATING AND MAINTENANCE INSTRUCTIONS ACCOMPANY THIS UNIT.</p>

⚠ WARNING This device is configured for 12 V DC operation. Do not connect to a higher voltage. Use only with NRTL-approved Class 2 power supplies.

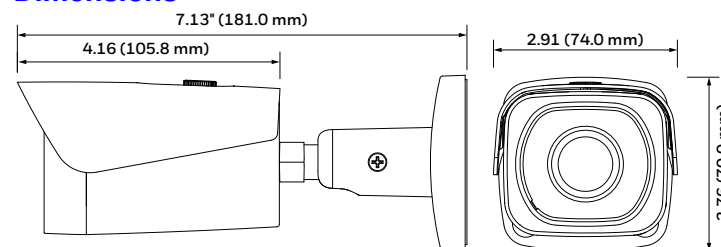
⚠ WARNING IR emitted from this product. Do not view directly with optical instruments. Do not stare directly into the lamp at a distance of less than 3.3 ft (1 m).

CAUTION Class 1 LED product. Invisible LED radiation (850 nm). Avoid exposure to beam.

Important Safeguards

- Read and keep these instructions.
- Do not aim the camera toward a bright light source for extended periods to prevent damage to the imager. Avoid operating the unit under or close to unstable light sources or close to fluorescent lamps or objects reflecting light.
- Do not touch the camera lens.
- Do not drop the camera or subject it to physical shock.
- Do not use a strong or abrasive detergent when cleaning the camera.
- Avoid operating or storing the unit in extremely humid, dusty, or environments where the operating temperature is outside the recommended range of -22°F to 140°F (-30°C to 60°C).

Dimensions



Before You Begin

Before you begin, check that you have received all of the parts listed below. If any parts are missing or damaged, contact your dealer immediately.

- Camera
- Quick Installation Guide
- Mounting template sticker
- Self-tapping screws (4)
- Plastic anchors (4)
- Power pigtail

Tools needed (not supplied):

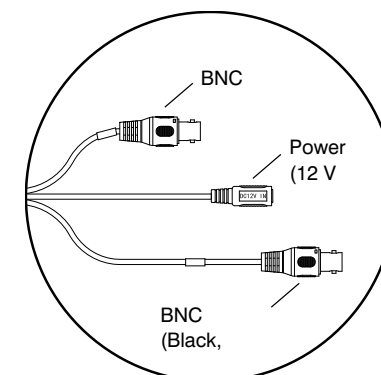
- Cordless drill
- Phillips screwdriver

1 Preparing the Mounting Surface

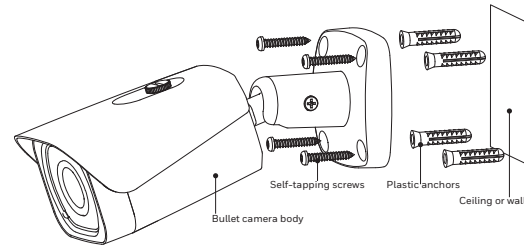
1. Inspect the site where you want to install the camera. The mounting surface must be flat and capable of supporting at least three times the weight of the camera and bracket.
2. Remove the backing from the mounting template sticker and affix the sticker to the mounting surface.
3. Drill the screw holes and cable exit hole at the locations indicated on the mounting template.
4. Insert the three supplied plastic anchors into the holes.
5. Pull the power and video cables through the hole.

2 Mounting the Camera

1. Connect the camera's power and video cables.
 - a. Connect the power connector to a 12 V DC power source.
 - b. Do one of the following:
 - Connect the black BNC connector to a coaxial video cable to get an HD (HQA) signal.
 - Connect the yellow BNC connector to a coaxial video cable to get an SD (CVBS) signal.
 - Connect both BNC connectors to get both HD and SD signals.

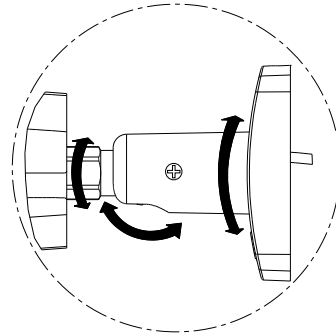


- Attach the camera to the mounting surface using the supplied screws (or other suitable mounting hardware).



3 Aiming the Camera

- Use a Phillips screwdriver to loosen the screw at the base of the bracket.
- Set the camera to the desired position.
- Tighten the screw at the base of the bracket.
- To adjust the sunshield position, loosen the thumbscrew (use a slotted screwdriver if necessary), slide the sunshield to the desired position, and then tighten the thumbscrew.



4 Configuring the Camera at the DVR

- Connect the camera to a Honeywell Performance Series HQA DVR.
- Log on to the DVR as admin user. The default user name is **admin** (case-sensitive) and the default password is **1234**.
- Right-click to display the shortcut menu, and then click **Camera Menu**. A dedicated menu operation interface appears.
- Click **Enter** to display the camera's OSD menu.
- To configure the camera, click the up or down arrows to move through the menu list, click the left or right arrows to change a menu setting, or click **Enter** to enter a submenu (←) or execute a command.
- After you have configured the camera, right-click to exit the menu operation interface.

Note The default resolution is 1080p.

Regulatory Notices

FCC Compliance

Information to the User This equipment has been tested and found to comply with the limits for a Class B digital device, pursuant to part 15 of the FCC Rules. These limits are designed to provide reasonable protection against harmful interference in a residential installation. This equipment generates, uses and can radiate radio frequency energy and, if not installed and used in accordance with the instructions, may cause harmful interference to radio communications. However, there is no guarantee that interference will not occur in a particular installation. If this equipment does cause harmful interference to radio or television reception, which can be determined by turning the equipment off and on, the user is encouraged to try to correct the interference by one or more of the following measures:

- Reorient or relocate the receiving antenna.
- Increase the separation between the equipment and receiver.
- Connect the equipment into an outlet on a circuit different from that to which the receiver is connected.
- Consult the dealer or an experienced radio/TV technician for help.

Note Changes or modifications not expressly approved by the party responsible for compliance could void the user's authority to operate the equipment.

Canadian Compliance

This Class B digital apparatus complies with Canadian ICES-003.
Cet appareil numérique de la Classe B est conforme à la norme NMB-003 du Canada.

Recommended Recorders

HRHT4041	4-channel, 4 MP, 60 fps HQA or 1080p, 120 fps HQA/SD/IP DVR, 1 SATA, 1 TB
HRHT4042	4-channel, 4 MP, 60 fps HQA or 1080p, 120 fps HQA/SD/IP DVR, 1 SATA, 2 TB
HRHT4082	8-channel, 4 MP, 120 fps HQA or 1080p, 120 fps HQA/SD/IP DVR, 2 SATA, 2 TB
HRHT4084	8-channel, 4 MP, 120 fps HQA or 1080p, 120 fps HQA/SD/IP DVR, 2 SATA, 4 TB
HRHT4162	16-channel, 4 MP, 240 fps HQA or 1080p, 120 fps HQA/SD/IP DVR, 2 SATA, 2 TB
HRHT4164	16-channel, 4 MP, 240 fps HQA or 1080p, 120 fps HQA/SD/IP DVR, 2 SATA, 4 TB
HRHT4166	16-channel, 4 MP, 240 fps HQA or 1080p, 120 fps HQA/SD/IP DVR, 2 SATA, 6 TB
HRHT41612	16-channel, 4 MP, 240 fps HQA or 1080p, 120 fps HQA/SD/IP DVR, 2 SATA, 12 TB
HRHQ1041	4-channel, 1 SATA, 720p@120 fps or 1080p@60 fps, HQA/AHD/TWI/SD/IP, alarm I/O, 1 TB
HRHQ1081	8-channel, 2 SATA, 720p@240 fps or 1080p@120 fps, HQA/AHD/TWI/SD/IP, alarm I/O, 1 TB
HRHQ1161	16-channel, 2 SATA, 720p@480 fps or 1080p@2400 fps, HQA/AHD/TWI/SD/IP, alarm I/O, 1 TB
HRHQ1162	16-channel, 2 SATA, 720p@4800 fps or 1080p@240 fps, HQA/AHD/TWI/SD/IP, alarm I/O, 2 TB

Honeywell

www.honeywell.com/security
+1 800 323 4576 (North America only)

<https://www.honeywellsystems.com/ss/techsupp/index.html>

Document 800-22734 – Rev A – 11/2016