




Performance Series

HB273H HB273X Super High Resolution
VFAI True Day/Night Indoor/Outdoor IR
Bullet Camera

Quick Installation Guide



800-19026 – D – 08/2014

	CAUTION RISK OF ELECTRIC SHOCK DO NOT OPEN		THIS SYMBOL INDICATES THAT DANGEROUS VOLTAGE CONSTITUTING A RISK OF ELECTRIC SHOCK IS PRESENT WITHIN THE UNIT.
CAUTION: TO REDUCE THE RISK OF ELECTRIC SHOCK, DO NOT REMOVE THE COVER. NO USER-SERVICEABLE PARTS INSIDE. REFER SERVICING TO QUALIFIED SERVICE PERSONNEL.			THIS SYMBOL INDICATES THAT IMPORTANT OPERATING AND MAINTENANCE INSTRUCTIONS ACCOMPANY THIS UNIT.

Regulatory Statements

Information to the user: This equipment has been tested and found to comply with the limits for a Class A digital device, pursuant to Part 15 of the FCC Rules. These limits are designed to provide reasonable protection against harmful interference when the equipment is operated in a commercial environment. This equipment generates, uses and can radiate radio frequency energy and, if not installed and used in accordance with the instructions, may cause harmful interference to radio communications. Operation of this equipment in a residential area is likely to cause harmful interference in which case the user will be required to correct the interference at his own expense.

CAUTION Changes or modifications not expressly approved by the party responsible for compliance could void the user's authority to operate the equipment.

This Class A digital apparatus complies with Canadian ICES-003.
Cet appareil numérique de la Classe A est conforme à la norme NMB-003 du Canada.

Manufacturer's Declaration of Conformance

The manufacturer declares that the equipment supplied with this guide is compliant with the essential requirements of the EMC directive 2004/108/EC and the General Product Safety Directive (GPSD) 2001/95/EC, conforming to the requirements of standards 55022 for emissions, EN 50130-4 for Immunity, and EN 60065 for Electrical Equipment safety.

Warranty and Service

Subject to the terms and conditions listed on the Product warranty, during the warranty period Honeywell will repair or replace, at its sole option, free of charge, any defective product returned prepaid.

In the event you have a problem with any Honeywell product, please call Customer Service at 1 800 323 4576 for assistance or to request a Return Merchandise Authorization (RMA) number. Be sure to have the model number, serial number, and the nature of the problem available for the technical service representative.

Prior authorization must be obtained for all returns, exchanges, or credits. **Items shipped to Honeywell without a clearly identified Return Merchandise Authorization (RMA) number may be refused.**

1. Warnings and Cautions

WARNING Installation and servicing should be performed only by qualified and experienced technicians to conform to all local codes and to maintain your warranty.

WARNING 12 V DC/24 V AC cameras require the use of CSA Certified/UL Listed Class 2 power adapters to ensure compliance with electrical safety standards.

WARNING This device is configured for 12 V DC or 24 V AC operation. Do not connect to a higher voltage. Use only with NRTL-approved Class 2 power supplies.

CAUTION The light emitted from the near-infrared light emitting diodes (LEDs) provide illumination over a wide area. This light is not considered a risk to the unshielded human eye. However, as with any light source, it is recommended that normal precautions be taken to avoid unnecessary exposure. For example, avoid staring into the beam or viewing the LEDs directly with optical instruments at close range.

Note IR LEDs may be warm after prolonged use.

2. Important Safety Instructions

- Read and keep these instructions.
- Please ensure that your installation area can safely support the weight of the camera.
- Do not install the camera in extreme temperature conditions. Only use the camera where temperatures are within the limits shown in the specifications section of the guide. Be especially careful to provide ventilation when operating under high temperatures.
- Do not aim the camera toward an extreme light source to prevent damage to the CCD.
- Do not touch the camera lens, dome, or bezel (front glass plate).
- Do not drop the camera or subject it to physical shock.
- Do not use a strong or abrasive detergent when cleaning the camera.

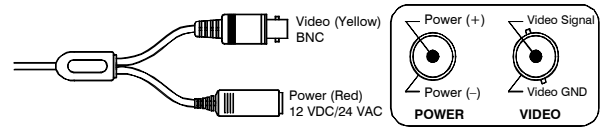
3. Package Includes

- Camera (1)
- Quick Install Guide (1)
- User Guide (1)
- Bracket (1)
- Screws (3)
- Video test cable (1)
- 2-conductor pigtail (1)

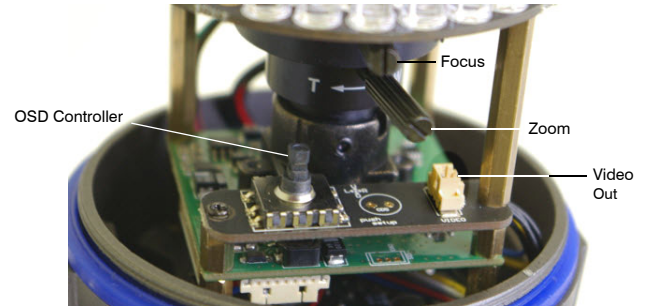
4. Key Features

- 1/3" Sony 960H CCD
- True Day/Night with movable IR cut filter
- 700 TV lines resolution
- 9–22 mm DC VFAI lens, F1.8
- 0 lux minimum illumination (IR LEDs on)
- Up to 100 ft (30 m) of IR illumination, depending on scene reflectance
- Sense-Up (×2 to ×256)
- Digital noise reduction (DNR)
- Backlight compensation (BLC)
- Motion detection (4 zones)
- Privacy masking (8 zones)
- On-screen display (OSD)
- Dual power (12 V DC / 24 V AC)
- Weatherproof housing with adjustable sunshield

5. Connecting the Cables



6. Setting Up the Camera

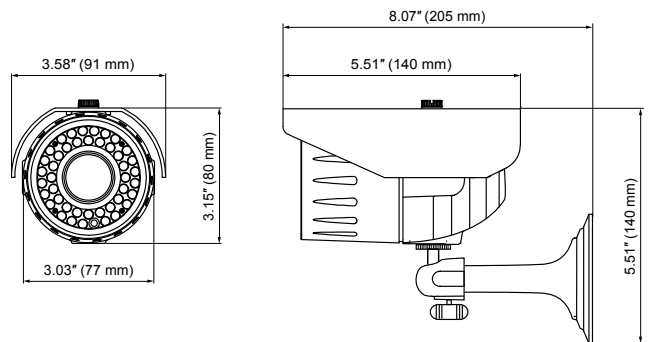


1. Unscrew the front part of the housing to expose the lens, LEDs, and the camera control board.
2. Using the supplied video test cable, connect a portable monitor to the 2-pin video out connector on the camera control board.
3. Adjust the focus (far/near) and zoom (tele/wide) controls.
4. Configure the camera on-screen display (OSD) menu settings using the OSD controller on the camera control board.

7. Specifications

Video Standard	NTSC/PAL
Scanning System	2:1 interlace
Image Sensor	1/3" Sony 960H CCD
Number of Pixels (H × V)	1020 × 508 (NTSC) 1020 × 596 (PAL)
Minimum Illumination	0 lux (IR LEDs on)
Horizontal Resolution	700 TVL
Video Output	1.0 V _{p-p} , 75 ohms
Sync System	Internal
S/N Ratio	52 dB (AGC off, weight on)
Lens Type	9–22 mm DC VFAI
Angle of View	H: 30.6°–14.0° V: 22.6°–10.5°
IR LEDs	850 nm, 42 LEDs
IR Illumination Distance	Up to 100 ft (30 m), depending on scene reflectance
Automatic Electronic Shutter	1/60–1/100,000 s (NTSC) 1/50–1/100,000 s (PAL)
DNR	Off/On (level adjustable)
BLC/HSBLC	Off/On
Day/Night	Color/BW/Auto/Ext
Gain Control	Off/Low/Mid/High
White Balance	ATW/AWB/AWC/Manual
Sense-Up	Auto (×2 to ×256)
Motion Detection	Off/On (4 programmable zones)
Privacy Masking	Off/On (8 programmable zones)
D-WDR	Off/Indoor/Outdoor (level adjustable)
Sharpness	Off/On (level adjustable)
Mirror	Off/Mirror/V-Flip/Rotate
Smart IR	Off/On (level adjustable)
Input Voltage	12 V DC / 24 V AC
Power Consumption	10 W (max.)
Temperature	Operating: 14°F to 122°F (–10°C to 50°C) Storage: –4°F to 140°F (–20°C to 60°C)
Relative Humidity	0% to 95%, non-condensing
Rating	IP66
Dimensions (L × W × D)	5.51 × 3.58 × 3.15 in. (140 × 91 × 80 mm)
Weight	1.3 lb (0.59 kg)

8. Dimensions



Honeywell

www.honeywell.com/security www.honeywell.com/security/uk
+1 800 323 4576 (North America only) +1 44 (0) 1928 754 028 (Europe only)

<https://www.honeywellsystems.com/ss/techsupp/index.html>

Document 800-19026 – Rev D – 08/2014

© 2014 Honeywell International Inc. All rights reserved. No part of this publication may be reproduced by any means without written permission from Honeywell. The information in this publication is believed to be accurate in all respects. However, Honeywell cannot assume responsibility for any consequences resulting from the use thereof. The information contained herein is subject to change without notice. Revisions or new editions to this publication may be issued to incorporate such changes.