

HB273H

PERFORMANCE SERIES 960H RESOLUTION TRUE DAY/NIGHT INDOOR/OUTDOOR IR BULLET CAMERA

The Performance Series rounds out Honeywell's camera portfolio with a variety of indoor, outdoor and low-light cameras that lets end users pick the perfect camera for virtually any installation. Ideal for a diverse range of applications, the Performance Series includes a wide range of high performing IR bullet cameras and minidomes that are easy to install and even easier to use.

Superior Image Quality

- Sharp, detailed super high resolution image (700 TVL)
- Vivid color pictures by day and clear black-and-white pictures at night
- Digital noise reduction
- 9–22 mm varifocal auto iris lens

24-Hour Surveillance

- True Day/Night capability
- Smart infrared (IR) technology for even distribution of IR
- 42 IR LEDs provide up to 100 ft (30 m) of illumination, depending on scene reflectance

Dependable All-Weather Performance

- IP66-rated weatherproof housing

Easy Installation

- Compact design for fast, easy installation
- Mounts directly to a ceiling or wall with just three screws
- Multidirectional bracket
- Two-conductor pigtail connector eliminates need to cut wires
- OSD for easy setup
- Easy-to-access external zoom and focus adjustment

Market Opportunities

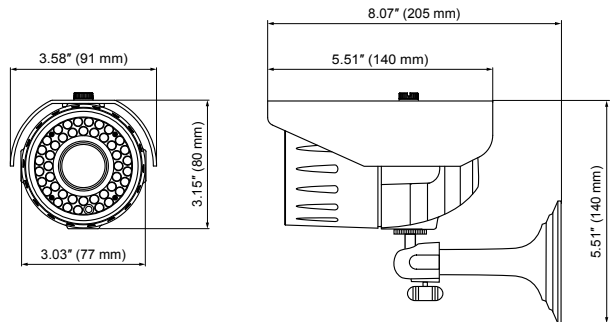
The HB273H is a cost-effective surveillance solution suitable for both indoor and outdoor applications, including schools, colleges, hospitals, commercial sites, industrial parks, airports, gated entrances, loading docks, and driveways.



SPECIFICATIONS

Operational	
Video Standard	NTSC
Scanning System	2:1 interlaced
Image Sensor	1/3" Sony 960H CCD
Number of Pixels (H×V)	1020 × 508
Minimum Illumination	0.1 lux @ F1.8 (AGC on) 0 lux (IR LEDs on)
Horizontal Resolution	700 TVL
Video Output	1.0 Vp-p, composite @ 75 ohms
Sync System	Internal
S/N Ratio	52 dB (AGC off, weight on)
Automatic Electronic Shutter	1/60–1/100,000 s
Lens Type	9–22 mm, F1.8, VFAI
Angle of View	Horizontal: 30.6° (wide) to 14.0° (tele) Vertical: 22.6° (wide) to 10.5° (tele)
IR LEDs	850 nm, 42 LEDs
IR Illumination Distance	Up to 100 ft (30 m), depending on scene reflectance
Day/Night	Color/BW/Auto/Ext
DNR	Off/On (level adjustable)
Auto Gain Control	Off/Low/Mid/High
White Balance	ATW/AWB/AWC/Manual
BLC/HSBLC	Off/On
Sense-Up	Auto (×2 to ×256)
Mirror	Off/Mirror/V-Flip/Rotate
Motion Detection	Off/On (4 programmable zones)
Privacy Masking	Off/On (8 programmable zones)
D-WDR	Off/Indoor/Outdoor (level adjustable)
Sharpness	Off/On (level adjustable)
D-Zoom	Off/On (up to 32×)
DIS	Off/On
Defog	Off/Auto/Manual (level adjustable)

Electrical	
Input Voltage	12 V DC / 24 V AC ±10%
Power Consumption	10 W max (IR LEDs on)
Mechanical	
Dimensions	3.58 × 3.15 × 5.51 in. (91.0 × 80.0 × 140.0 mm)
Weight	1.3 lb (0.59 kg)
Construction	Housing: Die-cast aluminum Finish: Dark gray powder coating
Connectors	Video Output: BNC connector Aux: 2-pin connector for video test cable Power Input: 2.1 mm plug
Environmental	
Temperature	Operating: 14°F to 122°F (–10°C to 50°C) Storage: –4°F to 140°F (–20°C to 60°C)
Relative Humidity	0% to 95%, non-condensing
IP Rating	IP66
Regulatory	
Emissions	FCC, Part 15B, Class A, EN 55022
Immunity	EN 50130-4
Recommended Accessories	
Power Supply	
HPT12DC500	12 V DC / 500 mA Plug-in Regulated 2.1 mm Coaxial Plug UL Listed/CSA Certified
HPT2440	12 V DC / 24 V AC, 40 VA Output



Ordering	
HB273H	TDN Indoor/Outdoor IR Bullet Camera, 1/3" CCD, 700 TVL, 9–22 mm VFAI Lens, 42 IR LEDs, 12 V DC / 24 V AC

NOTE: Honeywell reserves the right, without notification, to make changes in product design or specifications.

For more information:

www.honeywell.com/security

Automation and Control Solutions

Honeywell Security Products Americas
2700 Blankenbaker Pkwy, Suite 150
Louisville, KY 40299
1.800.323.4576
www.honeywell.com