

# Washer Kit for HSPS and MIC Series

www.boschsecurity.com



**BOSCH**

Invented for life



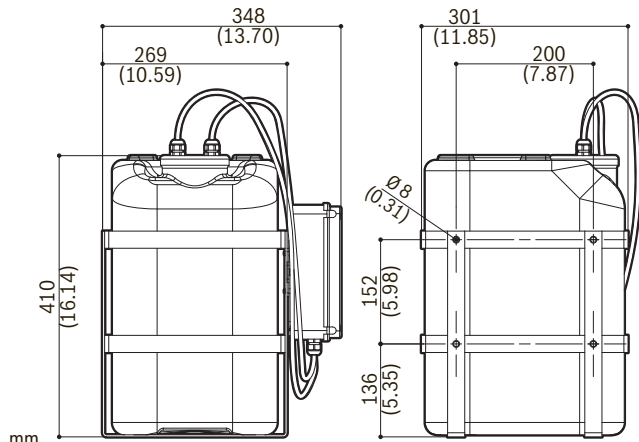
- ▶ 24 VAC and 230 VAC models compatible with all High-Speed Positioning Systems (HSPS) and MIC cameras
- ▶ Suitable for outdoor environments
- ▶ 4 m (13 ft) and 30 m (98 ft) delivery systems
- ▶ 23 l (6 gallon) tank capacity per model
- ▶ Pump delay (from 1 to 50 seconds); wiper delay (from 1 to 50 seconds)

The Bosch Washer Kit (pump and water reservoir tank) is an optional unit that connects directly to MIC Rugged PTZ series cameras and those with the Bosch High-Speed Positioning System (HSPS) to clean dirt and debris that accumulates on the glass in front of the lens of the camera, therefore improving visibility through the camera.

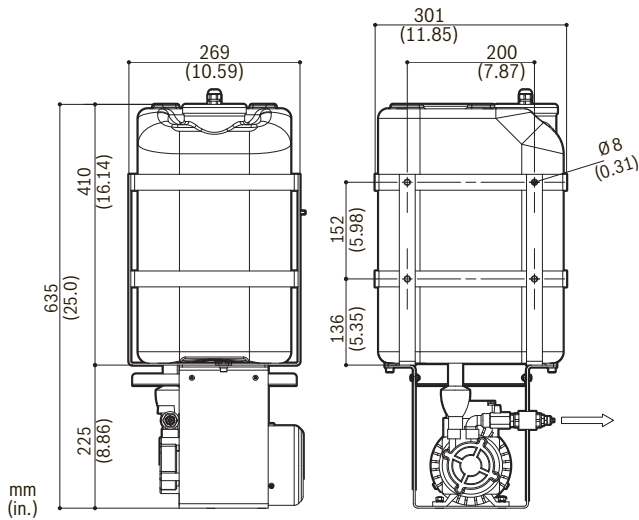
When the washer pump is activated, the articulated nozzle sprays liquid onto the glass of the camera, which must be mounted with the glass facing the nozzle. After a delay of a few seconds, the wiper that is integrated into the camera is activated to wipe the liquid from the glass while the pump is still running. Users can adjust the nozzle of the pump to obtain the desired position of the wiper. To make this adjustment, users must configure a preset position on the Wiper-Washer Menu in the on-screen display of the camera; this preset position corresponds to the spray that is loaded when the wiper function begins. The Wiper-Washer Menu also allows configuration of the amount of time that the pump and the wiper will run. For the washer to activate, a washer pump drive card must be installed in the camera, or the camera must support integrated washer operations.

To operate the washer pump at temperatures below 3°C (37.4°F), mix vehicle antifreeze into the water in the reservoir tank. (Bosch does not recommend using the pump in temperatures below 0°C (32°F), as liquid may freeze at the nozzle and clog the delivery tubes.) The recommended ratio of antifreeze to water is 1:5 (20% concentration). (The minimum ratio is 1 part antifreeze to 3 liters (.79 gal) water. The maximum ratio is 1 part antifreeze to 6 liters (1.6 gal) water.) The HAC-WAS05-20 (24 VAC) has a tube length of 4 m (13 ft) and guarantee a delivery up to 4 m (13 ft). The HAC-WAS30-50 (230 VAC) model guarantees a delivery up to its tube length of 30 m (98 ft), and features a function that alerts users to the lack of liquid in the reservoir tank when the pump stops running.

**Installation/configuration notes**



Dimensions–HAC-WAS05-20



Dimensions–HAC-WAS30-50

**Parts included**

1	Washer kit (pump and water reservoir tank) for Bosch High-Speed Positioning Systems (HSPS) or MIC cameras
1	Washer pipe support
1	Locking bracket for pipe support
1	Washer delivery tube: HAC-WAS05-20: 4 m (13 ft) tube HAC-WAS30-50: 30 m (98 ft) tube
1	Pipe connector
1	Clamp
1	Washer pipe with nozzle
1	Delivery pipe (HAC-WAS30-50 only)
1	Housing equipment

Installation hardware package including screws and washers

Installation manual

**Technical specifications**

**Description**

	HAC-WAS05-20	HAC-WAS30-50
Tank Capacity	23 l (6 gallons)	23 l (6 gallons)
Delivery Head	4 m (13 ft) max.	30 m (98 ft) max.
Tube Length	4 m (13 ft)	30 m (98 ft)
Tube Diameter	O.D. 5 mm	O.D. 5 mm
Flow Rate	1 liter/minute	15 liters/minute <sup>1</sup>
Ratio, antifreeze to water	1:5 (20% concentration)	1:5 (20% concentration)
Check Valve	Not supplied	Supplied <sup>2</sup>

1. Flow rate is reduced to 0.1 liters/minute if the entire 30 m (98 ft) tube length is used.

2. Check valve built into the pump.

**Electrical**

	HAC-WAS05-20	HAC-WAS30-50
Input Voltage	24 VAC	230 VAC
Power Draw	12 W, max.	600 W, max.

**Mechanical**

**Unit Dimensions (W x H x L)**

• HAC-WAS05-20	301 x 410 x 347.5 mm (11.8 x 16 x 13.7 in.)
• HAC-WAS30-50	301 x 635 x 347.5 mm (11.8 x 25 x 13.7 in.)

**Unit Weight**

• HAC-WAS05-20	5.9 kg (11 lbs)
• HAC-WAS30-50	13.5 kg (29.8 lbs)

**Package Dimensions (W x H x L)**

• HAC-WAS05-20	375 x 310 x 790 mm (14.7 x 12.2 x 31.1 in.)
• HAC-WAS30-50	355 x 450 x 800 mm (14 x 17.7 x 31.5 in.)

**Package Weight**

• HAC-WAS05-20	6.5 kg (14.3 lbs)
• HAC-WAS30-50	15.5 kg (34.2 lbs)

## Environmental

### Operating Temperature

- |                 |                             |
|-----------------|-----------------------------|
| • HAC-WAS3 0-50 | 0°C to 60°C (32°F to 140°F) |
|-----------------|-----------------------------|

### Minimum Temperature for Washer Delivery

All Models	3°C (37.4°F) Range can be extended with the use of vehicle antifreeze.
------------	---

### Environmental Rating

- |                 |      |
|-----------------|------|
| • HAC-WAS0 5-20 | IP56 |
| • HAC-WAS3 0-50 | IP45 |

## Ordering information

### HAC-WAS05-20 24 VAC Washer

24 VAC washer inst. 4M 25L  
Order number **HAC-WAS05-20**

### HAC-WAS05-50 230 VAC Washer

230 VAC washer inst. 4M 25L  
Order number **HAC-WAS05-50**

### HAC-WAS30-50 230 VAC Washer

230 VAC washer inst. 30M 25L  
Order number **HAC-WAS30-50**

## Accessories

### MIC-WN Washer Nozzle

Spare washer nozzle  
Order number **MIC-WN**

### MIC-WNB-PCD Washer Nozzle

Spare washer nozzle mounting bracket for 4 in PCD Base  
Order number **MIC-WNB-PCD**

### MIC-WNB-WMB Washer Nozzle

Spare washer nozzle mounting bracket for wall bracket  
Order number **MIC-WNB-WMB**

### MIC-WKT Washer Kit

Washer kit for non infrared MIC models (includes washer pump drive card, washer nozzle and mounting brackets for wall and 4 in. PCD base)  
Order number **MIC-WKT**

### MIC-WKT-IR Washer Kit

Washer kit for infrared power supplies only (includes washer nozzle and mounting brackets for wall or 4 in. PCD base)  
Order number **MIC-WKT-IR**

**Represented by:**

**Americas:**

Bosch Security Systems, Inc.  
130 Perinton Parkway  
Fairport, New York, 14450, USA  
Phone: +1 800 289 0096  
Fax: +1 585 223 9180  
security.sales@us.bosch.com  
www.boschsecurity.us

**Europe, Middle East, Africa:**

Bosch Security Systems B.V.  
P.O. Box 80002  
5617 BA Eindhoven, The Netherlands  
Phone: + 31 40 2577 284  
Fax: +31 40 2577 330  
emea.securitysystems@bosch.com  
www.boschsecurity.com

**Asia-Pacific:**

Robert Bosch (SEA) Pte Ltd, Security  
Systems  
11 Bishan Street 21  
Singapore 573943  
Phone: +65 6571 2808  
Fax: +65 6571 2699  
apr.securitysystems@bosch.com  
www.boschsecurity.asia

**China:**

Bosch (Shanghai) Security Systems Ltd.  
201 Building, No. 333 Fuquan Road  
North IBP  
Changning District, Shanghai  
200335 China  
Phone +86 21 22181111  
Fax: +86 21 22182398  
www.boschsecurity.com.cn

**America Latina:**

Robert Bosch Ltda Security Systems Division  
Via Anhanguera, Km 98  
CEP 13065-900  
Campinas, Sao Paulo, Brazil  
Phone: +55 19 2103 2860  
Fax: +55 19 2103 2862  
latam.boschsecurity@bosch.com  
www.boschsecurity.com