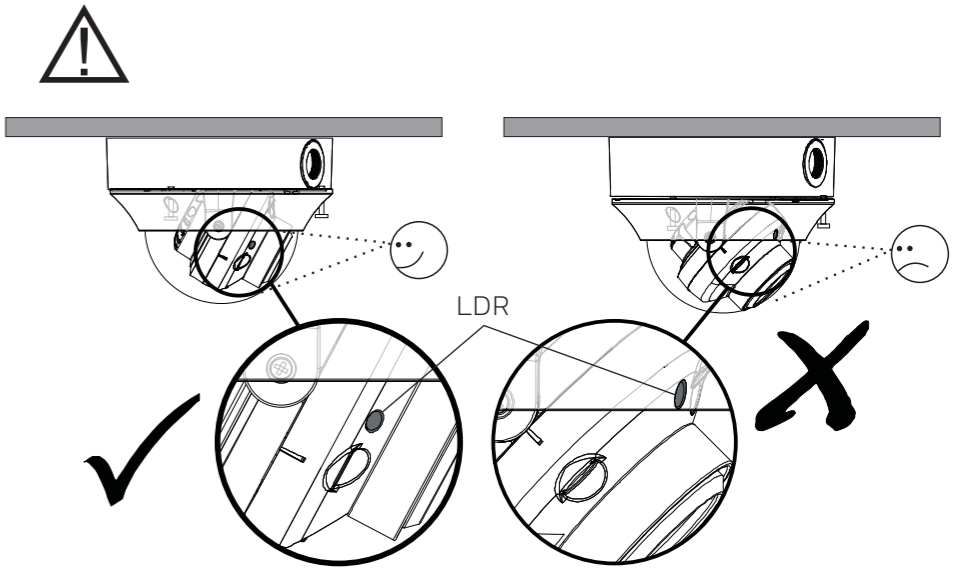
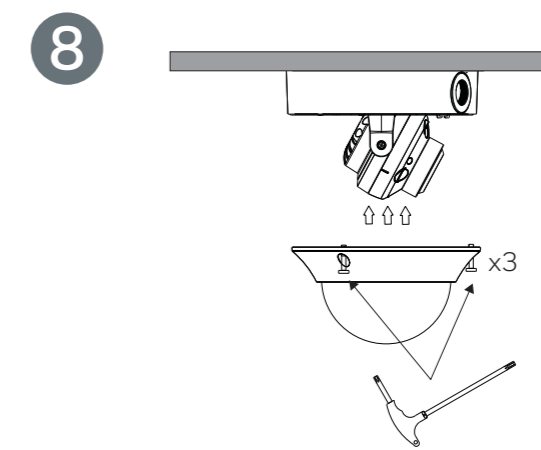
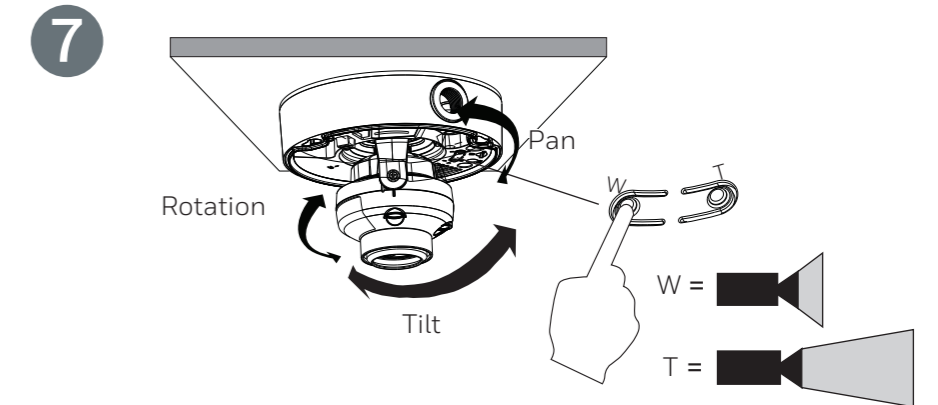
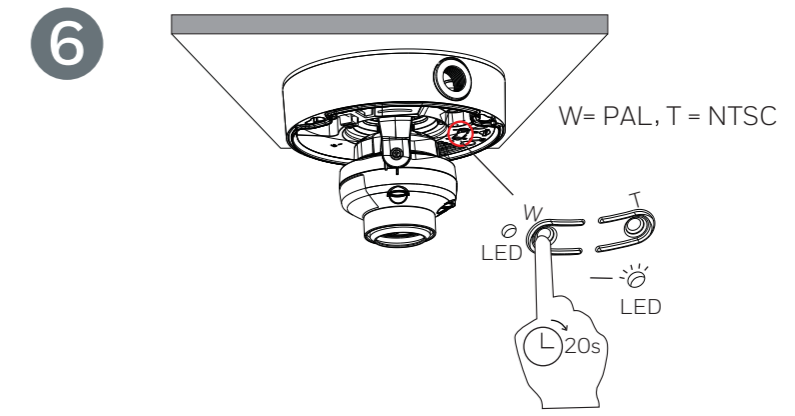
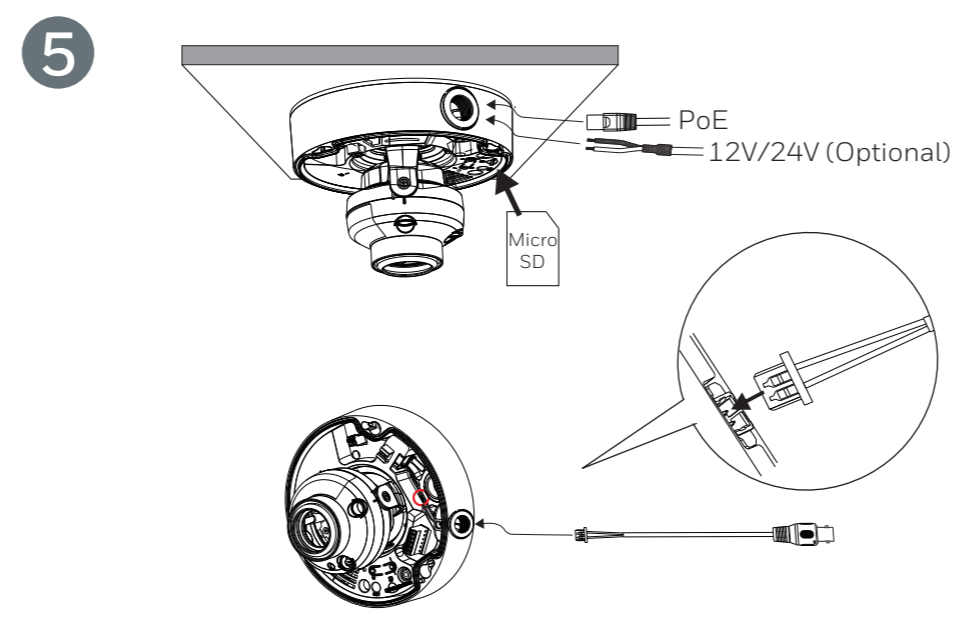
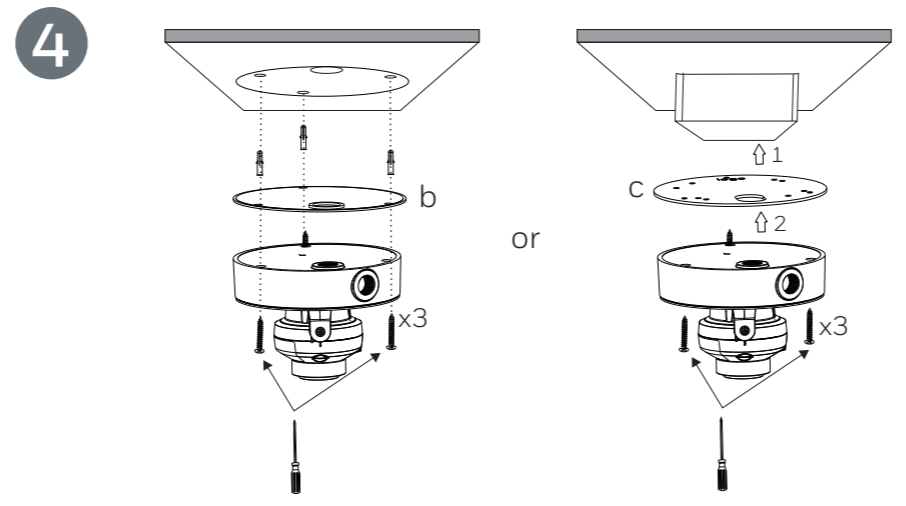
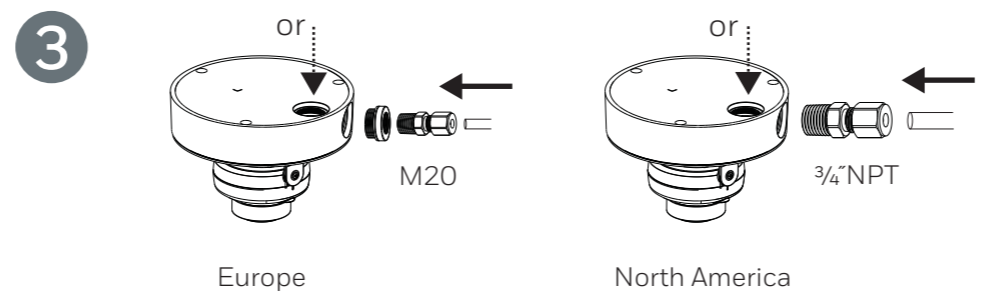
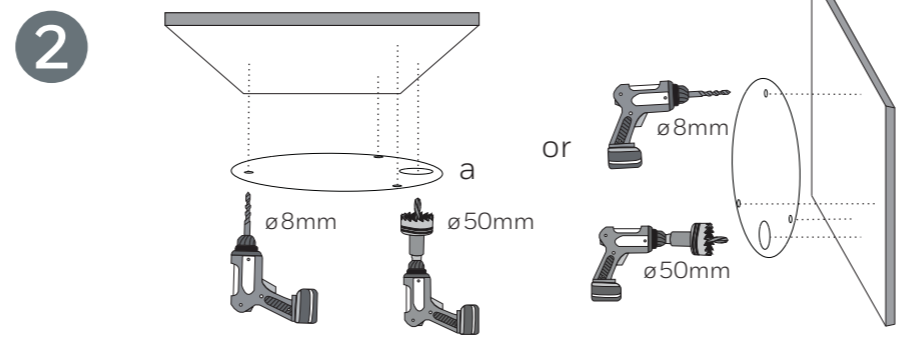
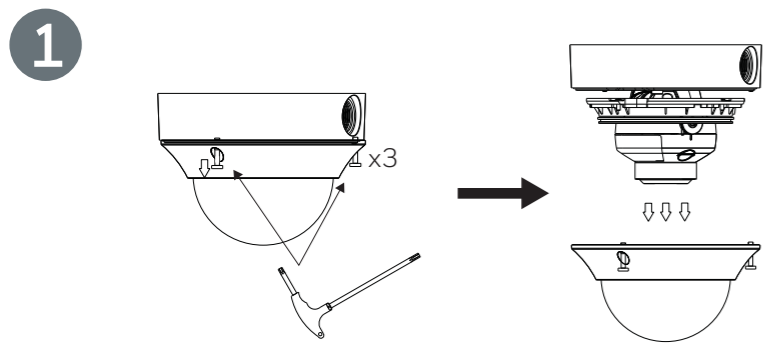
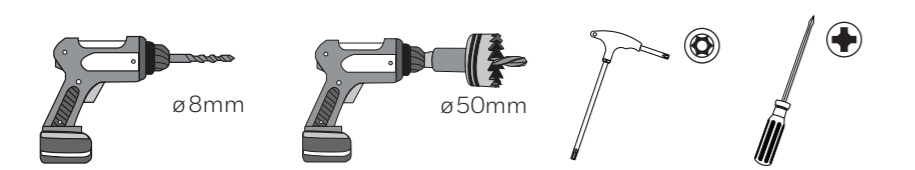
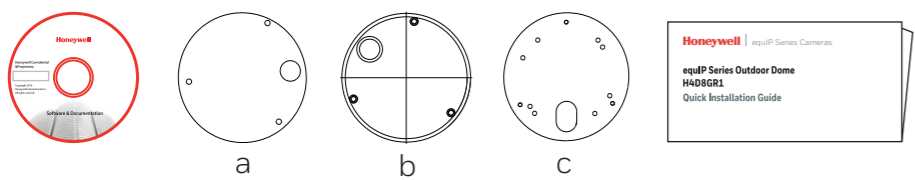
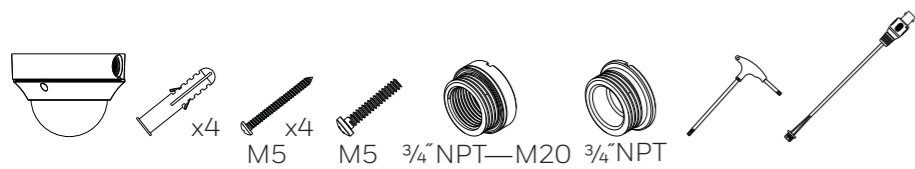


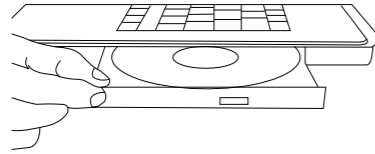
# equiP Series Outdoor Dome H4D8GR1

## Quick Installation Guide

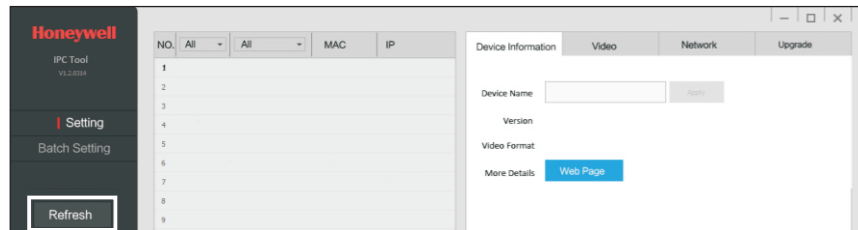




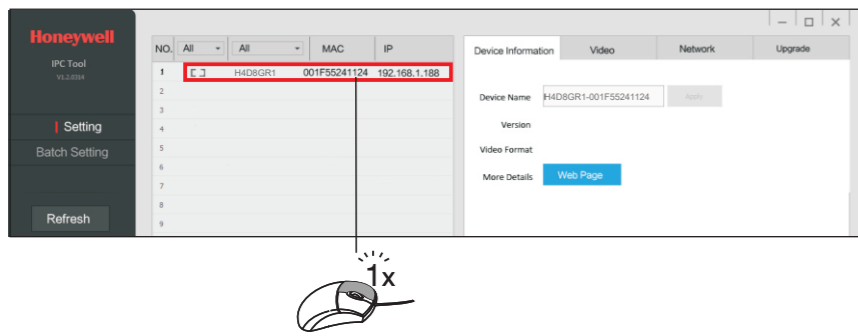
1



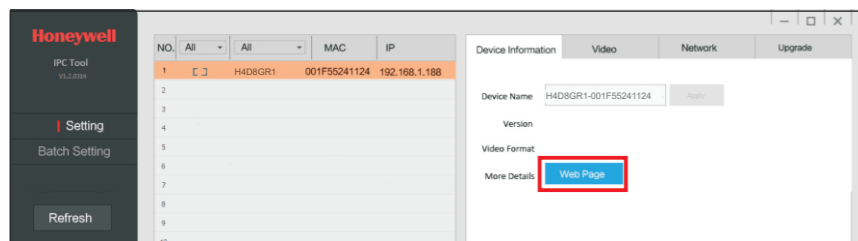
2



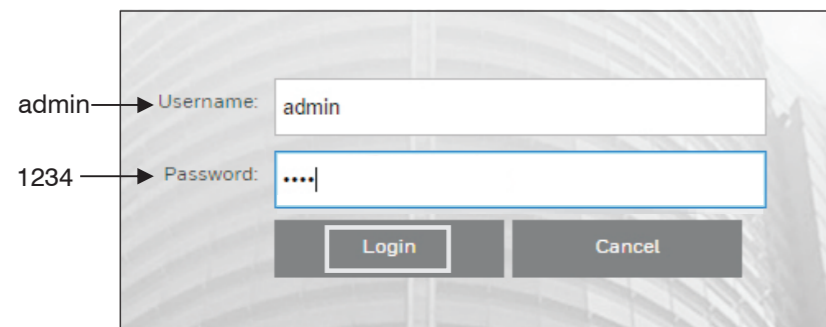
3



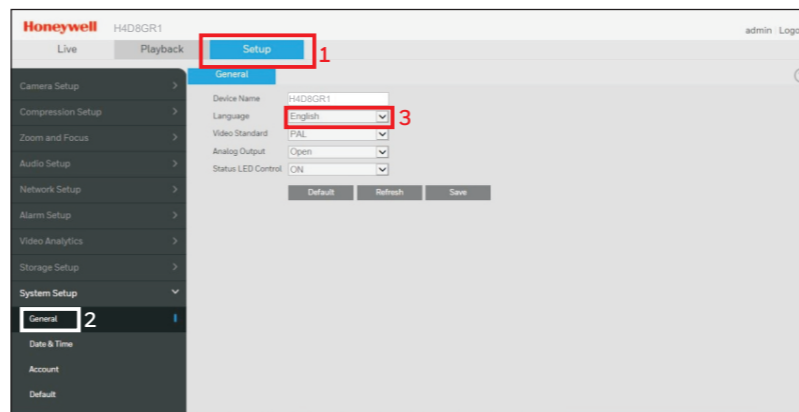
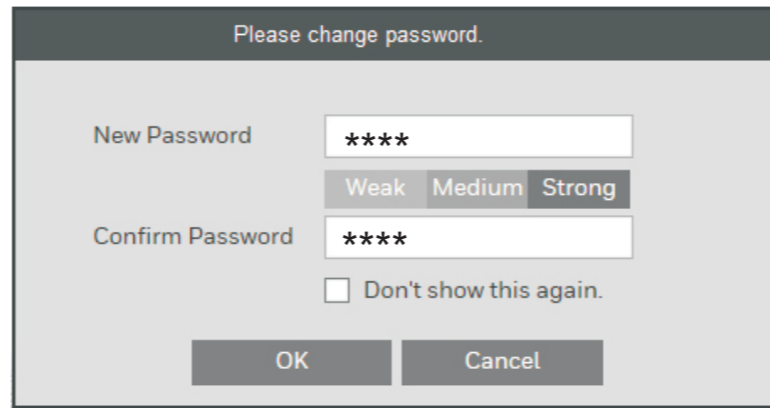
4



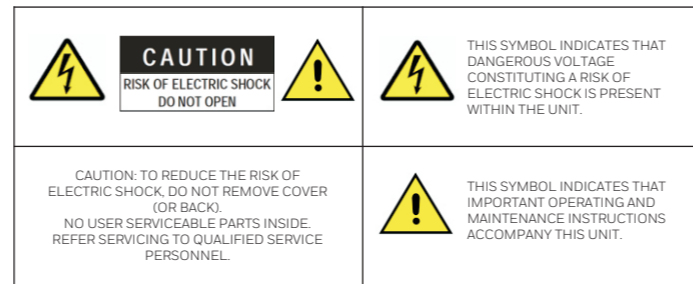
5



6



### Cautions and Warnings



**WARNING** To ensure compliance with electrical safety standards, CSA Certified/UL Listed LPS or Class 2 power adapters are required. Power over Ethernet (PoE) shall be provided by listed Information Technology Equipment meeting the IEEE 802.3at PoE standard. The PoE is not intended to be connected to exposed (outside plant) networks.

**WARNING** To comply with EN50130-4 requirements, a UPS should be employed when powering the camera from 24 V AC.

**Caution** This is a Class A product. In a domestic environment this product may cause radio interference in which case the user may be required to take adequate measures.

### Important Safeguards

- Read and keep these instructions.
- Please ensure that your installation area can safely support the weight of the camera.
- Do not aim the camera toward a bright light source for extended periods to prevent damage to the imager. Avoid operating the unit under or close to unstable light sources (may cause flickering), or close to fluorescent lamps or objects reflecting light.
- Do not touch the camera lens.
- Do not drop the camera or subject it to physical shock.
- Do not use a strong or abrasive detergent when cleaning the camera.
- Avoid operating or storing the unit in extremely humid, dusty, hot/cold environments, where the operating temperature is outside the recommended range of -40°F to 140°F (-40°C to 60°C).
- Avoid operating the unit close to sources of powerful electromagnetic radiation, such as radio or TV transmitters.

### Regulatory Statements

#### FCC Statement of Compliance

**Information to the User:** This equipment has been tested and found to comply with the limits for a Class A digital device, pursuant to part 15 of the FCC Rules. These limits are designed to provide reasonable protection against harmful interference when the equipment is operated in a commercial environment. This equipment generates, uses, and can radiate radio frequency energy and, if not installed and used in accordance with the instruction manual, may cause harmful interference to radio communications. Operation of this equipment in a residential area is likely to cause harmful interference in which case the user will be required to correct the interference at his own expense.

**Note** Changes or modifications not expressly approved by the party responsible for compliance could void the user's authority to operate the equipment.

This Class A digital apparatus complies with Canadian ICES-003.

#### Manufacturer's Declaration of Conformance

The manufacturer declares that the equipment supplied with this guide is compliant with the European Parliament and Council Directive on the Restrictions of the use of certain hazardous substances in electrical and electronic equipment (2011/65/EU), General Product Safety Directive (2001/95/EC), and the essential requirements of the EMC Directive (2014/30/EU), conforming to the requirements of standards EN 55032 for emissions, EN 50130-4 for immunity, and EN 60950-1 for electrical equipment safety.

#### Manufacturer's Name and Address

Honeywell Security(China) Co., Ltd.  
Building 21, 22,28, Section 2, Huaide Cuigang Industrial Estate,  
Fuyong, Bao'an District, ShenZhen, China.

#### Waste Electrical and Electronic Equipment (WEEE)



Correct Disposal of this Product (applicable in the European Union and other European countries with separate collection systems).

This product should be disposed of, at the end of its useful life, as per applicable local laws, regulations, and procedures.



[www.honeywell.com/security](http://www.honeywell.com/security)  
+1 800 323 4576 (North America only)  
<https://www.honeywellsystems.com/ss/techsupp/index.html>

Document 800-22486 – Rev A – 09/2016

© 2016 Honeywell International Inc. All rights reserved. No part of this publication may be reproduced by any means without written permission from Honeywell. The information in this publication is believed to be accurate in all respects. However, Honeywell cannot assume responsibility for any consequences resulting from the use thereof. The information contained herein is subject to change without notice. Revisions or new editions to this publication may be issued to incorporate such changes. For patent information, see [www.honeywell.com/patents](http://www.honeywell.com/patents).