

1005 Magnapull™ contact

mini Magnapull magnetic pull-apart cord

The 1005 Magnapull contact is specifically designed to protect valuable free-standing items, such as office equipment, video systems, art objects, and gun cabinets. Positive magnetic retention limits false alarms.

End users simply insert the cable into the contact housing; there is nothing to line up. An alarm condition is created with the cord when the magnet is pulled from the housing.



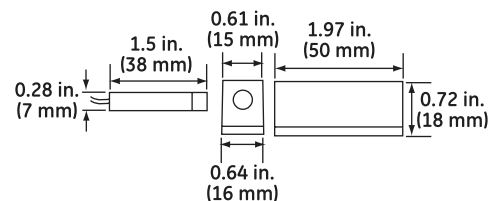
Specifications

Voltage:	100 VAC/VDC max.
Current:	0.5 A max.
Power:	7.5 W max.
Loop type:	Closed
Electrical configuration:	Normally open
Lead type:	3 ft. zip cord
Dimensions (HxWxD):	1.5 x 0.64 x 0.72 in. (38 x 16 x 18 mm)
Housing:	Flame-retardant ABS plastic
Color:	White
Regulatory:	UL

Ordering information

1005	Magnapull magnetic pull-apart cord, surface mount, closed loop, white
------	---

- Durable, high-impact plastic housing designed for long life
- Installs easily and quickly
- Protects free-standing, high-value items
- Hermetically sealed to work in moist, dirty environments
- Mounting hardware included



2100 series Magnapull™ contacts

heavy-duty magnetic pull-apart cords

Magnapull™ magnetic pull-apart cords are used to protect valuable free-standing items that are stored outdoors. The high-impact plastic housing protects the contact from corrosion or high-resistance build-up. End users simply insert the cable into the contact housing there is nothing to line up. An alarm condition is created when the cord with the magnet is pulled from the housing.

2100 series contacts extend monitored security protection to items such as snowmobiles, lawn and garden equipment, boats, trailers, bicycles, and motorcycles. Magnapull cords can also be used to secure fence gates, overhead doors, and construction equipment. Magnapulls are available in recessed and surface mount models.



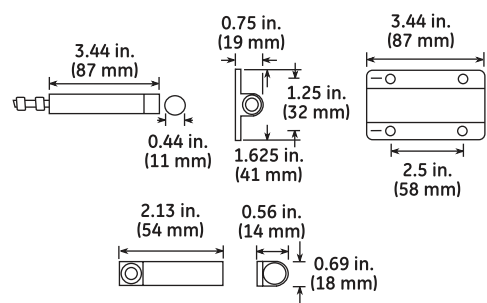
Specifications

Voltage:	2105A: 100 VAC/VDC max. 2107A: 30 VAC/VDC max.
Current:	2105A: 0.5 A max. 2107A: 0.25 A max.
Power:	2105A: 7.5 W max. 2107A: 3.0 W max.
Loop type:	2105A: Closed 2107A: Open or Closed
Electrical configuration:	2105A: Normally open 2107A: SPDT
Lead type:	2105A/2107A: 3 ft. stainless steel armored cable 2105A*-GFB45: 45 ft. stainless steel armored cable
Dimensions (HxWxD):	3.44 x 1.625 x 0.75 in. (87 x 41 x 19 mm)
Housing:	ABS plastic
Color:	Gray

- Durable, high-impact plastic housing designed for long life
- Installs easily and quickly
- Protects free-standing, high-value items
- Reed-activated for high reliability
- Mounting hardware included

Ordering information

2105A-G	Magnapull heavy-duty magnetic pull-apart cord, closed loop, gray
2105A*-GFB45	Magnapull heavy-duty magnetic pull-apart cord, closed loop, gray, 45 ft. armored cable
2107A-G	Magnapull heavy-duty magnetic pull-apart cord, SPDT, gray



3005 series roller plunger contacts

recessed roller plunger contacts with wire leads

The 3005 roller plunger contacts save installation time while providing reliable magnetic contact security. The contact switch is activated when the door opens, releasing the tension on the wheel plunger. The entire contact is housed in an economical single unit, and recessed mounting hides the contact within the frame of the door it protects.

The roller plunger wheel is designed to operate with a smaller surface area in contact with the door. This reduces the likelihood that dirt and other debris will clog the mechanism. The specially designed ABS plastic housing protects the roller wheel from pressure exerted by swelling wood that could cause plungers to jam in place.



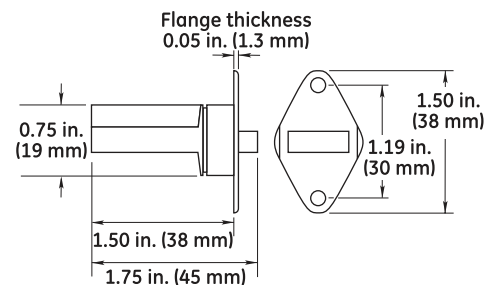
Specifications

Voltage:	3005: 100 VAC/VDC max. 3007: 30 VAC/VDC max.
Current:	3005: 0.5 A max. 3007: 0.25 A max.
Power:	3005: 7.5 W max. 3007: 3.0 W max.
Loop type:	3005: Closed 3007: Open or closed
Lead type:	1 ft. #22 wire
Dimensions:	1.50 in. L x 0.75 in. dia. (38 x 19 mm)
Roller travel:	7/32 in. with minimum of 1/16 in. movement to activate the reed switch
Housing:	Flame retardant ABS plastic
Color:	White, mahogany brown
Regulatory:	UL, CUL

Ordering information

3005N-10PKG (-50BOX)	Recessed roller plunger contact with wire leads, closed loop, UL listed, includes spacer and mounting screws, white, pk/10 (pk/50 -50BOX)
3005M-10PKG (-50BOX)	Recessed roller plunger contact with wire leads, closed loop, UL listed, includes spacer and mounting screws, brown, pk/10 (pk/50 -50BOX)
3007-M	Recessed roller plunger contact with wire leads, SPDT, UL listed, includes spacer and mounting screws, brown

- Offers benefits of both plunger and ball contact
- Works on all doors, including steel doors
- Can protect high-value objects on display such as antiques, rare books, or works of art, by placing each object on a recessed contact
- Reduces installation time drill only one hole
- Versatile with three different mounting configurations
- Includes spacers and mounting screws



3008 series roller plunger contacts

recessed “shorty” roller plunger contacts with wire leads

The 3008 “shorty” roller plunger contact is specially designed for use in security applications where size is a limiting factor. The 3/4-inch housing makes the contact perfect for door jambs with restricted space.

Unlike ball rollers, this roller plunger wheel operates with a smaller surface area in contact with the door frame. This reduces the likelihood that dirt and other debris will clog the mechanism. The tapered wheel allows for more flexibility during installations.



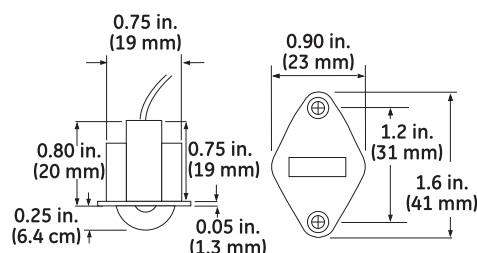
Specifications

Voltage:	100 VAC/VDC max.
Current:	0.5 A max.
Power:	7.5 W max.
Loop type:	Closed
Electrical configuration:	Normally open
Lead type:	1 ft. #22 wire
Dimensions:	0.75 in. L x 0.75 in. dia. (19 x 19 mm)
Roller travel:	1/4 in. with minimum of 1/16 in. movement to activate the reed switch
Housing:	Flame retardant ABS plastic
Color:	White, brown
Regulatory:	UL, CUL

Ordering information

3008N-10PKG (-50BOX)	Recessed shorty roller plunger contact with wire leads, closed loop, UL listed, includes spacer and mounting screws, white, pk/10 (pk/50 -50BOX)
3008M-10PKG (-50BOX)	Recessed shorty roller plunger contact with wire leads, closed loop, UL listed, includes spacer and mounting screws, brown, pk/10 (pk/50 -50BOX)

- 3/4-inch housing is half the length of conventional roller plungers
- Reduces installation time drill only one hole
- Magnet and reed are housed in the same unit
- Ideal for prewire installations or as a replacement contact
- Can protect high-value objects on display such as antiques, rare books, or works of art, by placing each object on a recessed contact



3010 series pin plunger contacts

recessed pin plunger contact switches

Each 3010 series contact features a low-voltage position sensor with an adjustable screw on the plunger. This switch is often used on panel doors and is available as a recessed plunger switch, a clip mount plunger, and a tamper switch.

The 3025T model comes with a self-adjusting plunger that moves to the proper reach.



Specifications

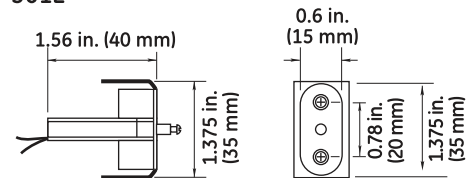
Voltage:	3012/3015/3025: 100 VAC/VDC max. 3017/3027: 30 VAC/VDC max.
Current:	3012/3015/3025: 0.5 A max. 3017/3027: 0.25 A max.
Power:	3012/3015/3025: 7.5 W max. 3017/3027: 3.0 W max.
Loop type:	3012/3015/3025: Closed 3017/3027: Open and closed
Electrical configuration:	3012/3015/3025: Normally open 3017/3027: SPDT
Lead type:	1 ft. #22 wire
Dimensions (LxW):	3012: 1.56 x 1.375 in. (40 x 35 mm) 3015/3017: 1.675 x 1.31 in. (43 x 33 mm) 3025T/3027T: 1.88 x 1.00 in. (30 x 25 mm)
Housing:	Flame retardant ABS plastic
Color:	White, brown
Regulatory:	UL

Ordering information

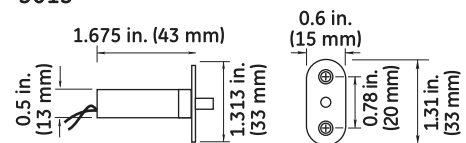
3012N-10PKG (-50BOX)	Recessed pin plunger contact, clip mount on 0.04 to 0.07 in. sheet metal, closed loop, UL listed, white, pk/10 (pk/50 -50BOX)
30121N-10PKG	Recessed pin plunger contact, clip mount on 0.08 to 0.12 in. sheet metal, white, pk/10
3015N-10-PKG	Recessed pin plunger contact, 1/2 in. dia., closed loop, UL listed, white, pk/10
3015M-10PKG	Recessed pin plunger contact, 1/2 in. dia., closed loop, UL listed, brown, pk/10
3017-M	Recessed pin plunger contact, 1/2 in. dia., SPDT, UL listed, brown
3025T-M	Self-adjusting tamper terminal contact, closed loop, UL listed, brown
3027-M	Self-adjusting tampler terminal contact, SPDT, UL listed, brown

- Available as plate-mount or clip-mount models
- 3025T plunger self-adjusts to proper reach
- Pulling out on plunger shunts switch disconnection while servicing equipment is unnecessary

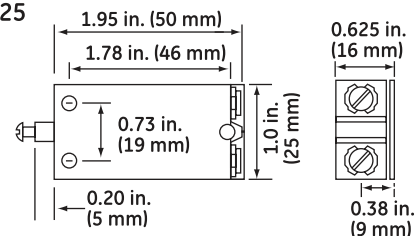
3012



3015



3025



3040 series panic switches

regular and cold temperature panic switches

The 3040 series panic switches activate an internal SPDT switch (SPST on the 3045 model) when the user pulls the actuating lever. On the 3040 model, an external LED lights and latches, indicating that the alarm circuit has been activated. The lever is closed first to rearm the alarm switch, then the latching LED circuit is reset externally at the host panel. The 3045 model has no LED or latching circuit.

The 3050 and 3055 feature a glowing LED for low-light visibility. The LED glows green when powered up and turns red upon activation. The 3050 contains a latching LED while the 3055 is non-latching.

All models provide low-profile and reliable alarm protection for commercial and residential applications.



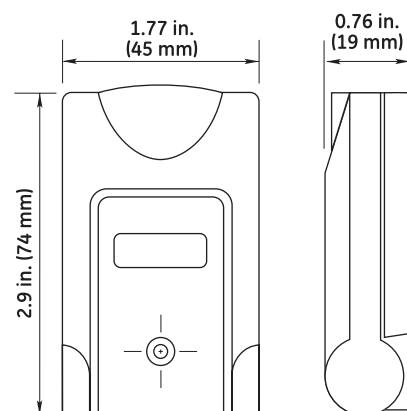
Specifications

Voltage:	3045/3045CT: 100 VDC max. 3040/3040CT: 30 V max.
Current:	3045/3045CT: 0.5 A max. 3040/3040CT: 0.25 A max.
Power:	3045/3045CT: 7.5 W max. 3040/3040CT: 3.0 W max.
Loop type:	3040/3050/3055: Open or Closed 3045: Closed
Electrical configuration:	3040/3050/3055: SPDT 3045: SPST
LEDs:	3040/3040CT: Red 3045/3045CT: None 3050/3055: Bi-color
Latching circuit:	3040/3040CT: Yes 3045/3045CT: No 3050: Yes 3055: No
Operating temperature:	0 to 110°F (-17 to 43°C) CT models: -40 to 150°F (-40 to 65°C)
Dimensions (WxHxD):	1.77 x 2.90 x 0.76 in. (45 x 74 x 19 mm)
Weight:	1.5 oz. (43 g)
Housing:	Flame retardant ABS plastic
Color:	White

- Mounts underneath or on side of desk or counter; difficult to detect
- Actuating lever designed to accommodate fingertip
- Reed contacts reset when lever is in closed position
- Latching LED and non-LED models available

Ordering information

3040-W	Surface mount panic switch with terminals, SPDT, red LED, latching LED circuit, UL listed
3040CT-W	Surface mount panic switch with 12 ft. jacketed wire leads, cold temperature, SPDT, red LED, latching LED circuit, UL listed
3045-W	Surface mount panic switch with terminals, SPST
3045CT-W	Surface mount panic switch with 12 ft. jacketed wire leads, cold temperature, SPST
3050-W	Surface mount panic switch with terminals, SPDT, bi-color LED, latching LED circuit, UL listed
3055-W	Surface mount panic switch with terminals, SPDT, bi-color LED



3555 bill trap

The 3555 bill trap is designed for use inside cash drawers. Bills are inserted between the lever and the base plate. Removal of the bills allows contact to be made, creating an alarm condition.

The unit is constructed of Delrin plastic for long life and features a SPDT reed switch for activation. The reed is secured using GE Security's exclusive polyurethane potting material.

Since the unit has no mechanical switch, it is not susceptible to dust or humidity, and is not subject to wear. The device mounts easily using double-sided tape.



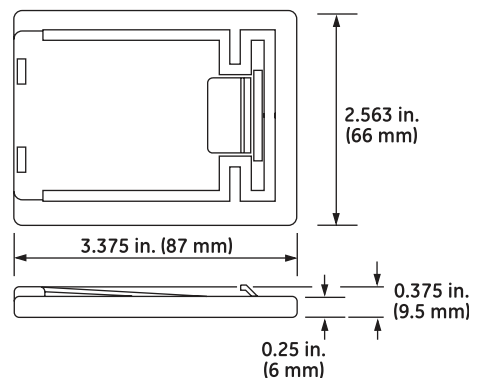
Specifications

Voltage:	30 VAC/VDC max.
Current:	0.25 A max.
Power:	3.0 W max.
Loop type:	Open or Closed
Electrical configuration:	SPDT
Lead type:	#33 gauge 6 in. vinyl jacketed wire
Dimensions (HxWxD):	2.563 x 3.375 x 0.375 in. (66 x 87 x 9.6 mm)
Housing:	Flame retardant ABS plastic
Color:	Black

Ordering information

3555-B	Bill trap, SPDT, black
--------	------------------------

- Compact and self-adhering for easy installation in cash drawers
- Delrin plastic housing for long life
- Reed-based switch design no mechanical switch to wear out
- Not susceptible to dust, humidity, or wear



2202 series overhead door contacts

floor mount magnetic contacts for overhead doors

The 2202 series overhead door magnetic contact is for use in the rigorous environments of commercial and industrial applications. The floor mount units are constructed with a low-profile, heavy cast aluminum housing. The reed switch assembly is fully encased in GE Security's exclusive polyurethane potting material to prevent damage due to moisture or humidity.

A wide operating gap of up to 3 inches makes installation easy and helps prevent false alarms caused by loose-fitting doors. The contacts are available with a universal-style magnet that allows for greater installation flexibility.



Specifications

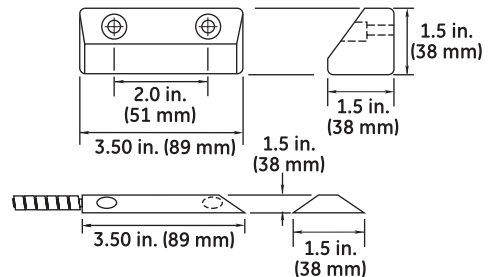
Voltage:	2202: 100 VAC/VDC max. 2204: 30 VAC/VDC max.
Current:	2202: 0.5 A max. 2204: 0.25 A max.
Power:	2202: 7.5 W max. 2204: 3.0 W max.
Loop type:	2202: Closed 2204: Open or Closed
Electrical configuration:	2202: Normally open 2204: SPDT 2204AD: DPDT
Gap distance:	Up to 3 in.
Dimensions:	2202/2204: 3.50 x 1.50 x 1.50 in. (89 x 38 x 38 mm) 2202AU/2204AU: 3.50 x 1.50 x 2.125 in. (89 x 38 x 54 mm)
Housing:	Die-cast aluminum
Color:	Aluminum
Regulatory:	UL, CUL

Ordering information

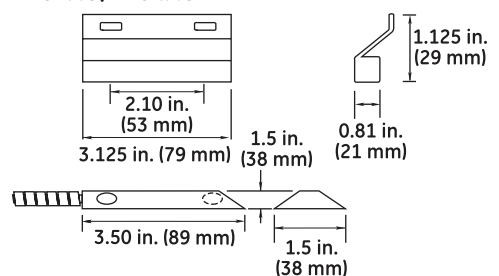
2202A-L	Overhead door floor mount magnetic contact with aluminum housing, closed loop, wide gap, 3 in. gap size, 18 in. stainless steel armored cable
2202AU-L	Overhead door floor mount magnetic contact with aluminum housing, universal magnet, closed loop, wide gap, 3 in. gap size, 18 in. stainless steel armored cable
2204A-L	Overhead door floor mount magnetic contact with aluminum housing, SPDT, wide gap, 3 in. gap size, 18 in. stainless steel armored cable
2204AD-L	Overhead door floor mount magnetic contact with aluminum housing, DPDT, 3 in. gap size, 18 in. stainless steel armored cable
2204AU-L	Overhead door floor mount magnetic contact with aluminum housing, universal magnet, SPDT, wide gap, 3 in. gap size, 18 in. stainless steel armored cable

- Miniature, low-profile design
- Stainless steel armored cable for added security and reliability
- Wide operating gap for overhead doors
- Small size less likely to be damaged by forklifts
- Aluminum housing resists corrosion in harsh environments
- Fully sealed switch
- Mounting hardware included

2202/2204



2202AU/2204AU



2205 series overhead door contacts

floor mount magnetic contacts for overhead doors

The 2205 series overhead door magnetic contact is designed for use in environments where a heavy-duty unit is required. The floor mount units are constructed using a rugged low-profile extruded aluminum switch housing and a cast aluminum magnet housing. The reed switch assembly is fully encased in GE Security's exclusive polyurethane potting material to prevent damage due to moisture or humidity.

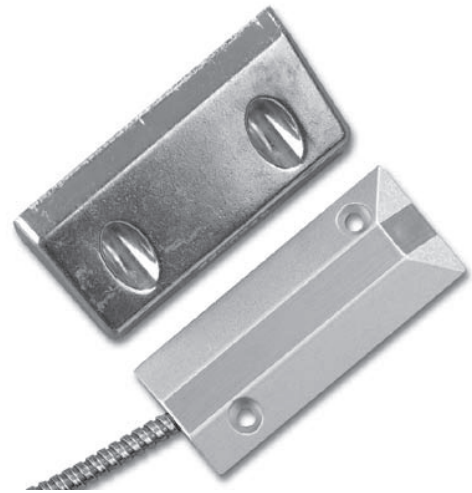
A wide operating gap of up to 3 inches makes installation easy and helps prevent false alarms caused by loose-fitting doors. The contacts are available with a universal-style magnet that allows for greater installation flexibility.

Specifications

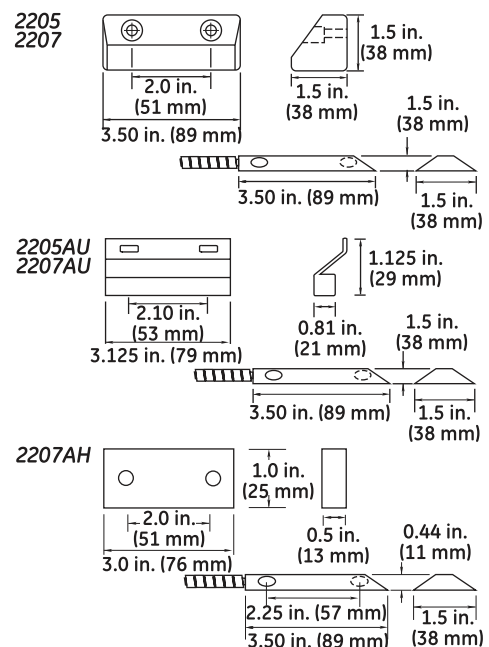
Voltage:	2205: 100 VAC/VDC max. 2207: 30 VAC/VDC max.
Current:	2205: 0.5 A max. 2207: 0.25 A max.
Power:	2205: 7.5 W max. 2207: 3.0 W max.
Loop type:	2205: Closed 2207: Open or Closed
Electrical configuration:	2205: Normally open 2207: SPDT (2207AD: DPDT)
Gap distance:	Up to 3 in. 2207AH: 3/4 to 2-1/2 in.
Dimensions:	2205/2207: 3.50 x 1.50 x 1.50 in. (89 x 38 x 38 mm) 2205AU/2207AU: 3.50 x 1.50 x 2.125 in. (89 x 38 x 54 mm) 2207AH: 3.50 x 1.50 x 1.0 in. (89 x 38 x 25 mm)
Housing:	Bar Stock aluminum
Color:	Anodized aluminum
Regulatory:	UL, CUL (2207AH: UL only)

Ordering information

2205A-L	Overhead door floor mount extra heavy duty magnetic contact with aluminum housing, closed loop, wide gap, 3 in. gap size, 3 ft. stainless steel armored cable
2205AU-L	Overhead door floor mount extra heavy duty magnetic contact with aluminum housing, universal magnet, closed loop, wide gap, 3 in. gap size, 3 ft. stainless steel armored cable
2207A-L	Overhead door floor mount extra heavy duty magnetic contact with aluminum housing, SPDT, wide gap, 3 in. gap size, 3 ft. stainless steel armored cable
2207AU-L	Overhead door floor mount extra heavy duty magnetic contact with aluminum housing, universal magnet, SPDT, wide gap, 3 in. gap size, 3 ft. stainless steel armored cable
2207AD-L	Overhead door floor mount extra heavy duty magnetic contact with aluminum housing, DPDT, wide gap, 3 in. gap size, 3 ft. stainless steel armored cable
2207AH-L	Overhead door floor mount higher security magnetic contact with aluminum housing, biased for higher security, SPDT, 3/4 to 2-1/2 in. gap size, 3 ft. stainless steel armored cable



- Miniature, low-profile design
- Stainless steel armored cable for added security and reliability
- Wide operating gap for overhead doors
- Model available for high-security applications
- Fully sealed switch
- Mounting hardware included

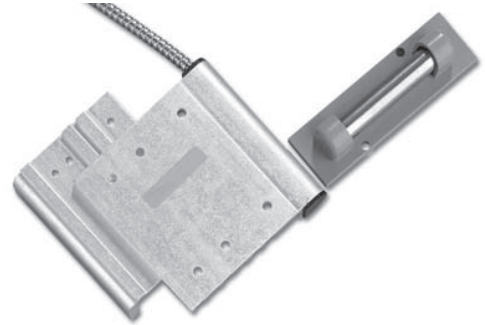


2302 series overhead door contacts

magnetic contacts for curtain doors

The 2302 magnetic contacts are designed specifically for curtain-style overhead doors. The unique design allows the contact to be mounted directly to the channel of the door, with the magnet mounted horizontally in the door slats off the floor and out of harm's way. This eliminates service calls and false alarm situations that occur when typical floor mount contacts become damaged or as the door becomes misaligned with normal use.

The interlocking mounting bracket adjusts to fit any size channel width.



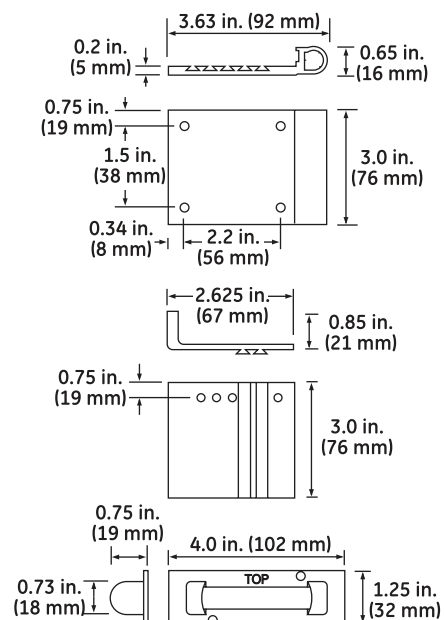
Specifications

Voltage:	2302: 100 VAC/VDC max. 2304: 30 VAC/VDC max.
Current:	2302: 0.5 A max. 2304: 0.25 A max.
Power:	2302: 7.5 W max. 2304: 3.0 W max.
Loop type:	2302: Closed 2304: Open or Closed
Electrical configuration:	2302: Normally open 2304: SPDT
Gap distance:	Up to 3 in.
Lead type:	2 ft. stainless steel armored cable
Dimensions:	3.6 x 3.0 x 0.65 in. (92 x 76 x 16 mm)
Housing:	Die-cast aluminum
Color:	Aluminum

- Designed specifically for curtain-style overhead doors
- Interlocking mounting bracket
- Magnet mounts in door channel
- Fits most door types
- Reduced installation time and fewer service calls
- Mounting hardware included

Ordering information

2302A-L	Curtain door track mount magnetic contact with 2 ft. armored cable, closed loop, Form A, up to 3 in. gap size
2304A-L	Curtain door track mount magnetic contact with 2 ft. armored cable, SPDT, Form C, up to 3 in. gap size

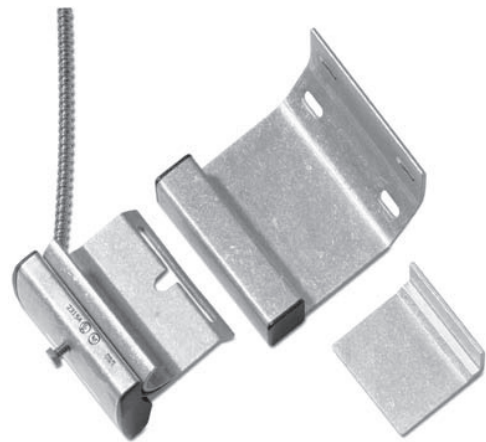


2315 series overhead door contacts

magnetic contacts for panel or sectional doors

The 2315 series panel door magnetic contacts are designed for panel or sectional style overhead doors. The unique design allows the contact to be mounted directly to the door channel, with the magnet mounted vertically on the door off the floor and out of harm's way. This eliminates service calls and false alarms that occur when typical floor mount contacts become damaged or as the door becomes misaligned with normal use.

The contact's integrated mounting bracket is adjustable to fit most door channel widths. Installation requires no special tools and takes only a few minutes. Each contact is constructed with a rugged extruded aluminum housing for corrosion resistance.



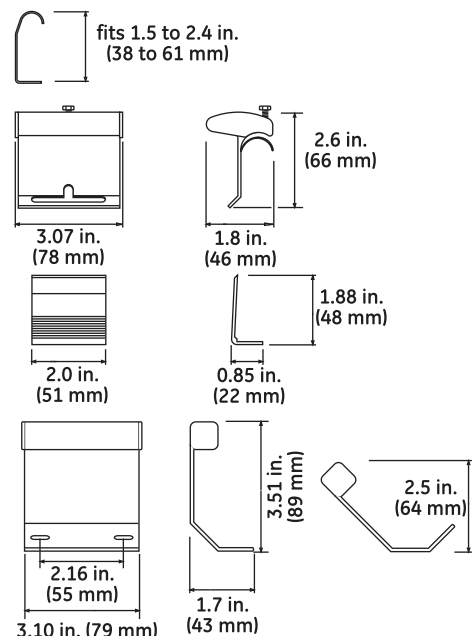
Specifications

Voltage:	2315/2325: 100 VAC/VDC max. 2317: 30 VAC/VDC max.
Current:	2315/2325: 0.5 A max. 2317: 0.25 A max.
Power:	2315/2325: 7.5 W max. 2317: 3.0 W max.
Loop type:	2315/2325: Closed 2317: Open or Closed
Electrical configuration:	2315/2325: Normally open 2317: SPDT
Gap distance:	Up to 3 in.
Lead type:	2 ft. stainless steel armored cable
Dimensions:	2315/2317: 3.07 x 2.60 x 1.80 in. (78 x 66 x 46 mm) 2325: 3.25 x 3.75 x 2.73 in. (83 x 95 x 69 mm)
Housing:	Extruded aluminum
Color:	Aluminum
Regulatory:	2315/2317: UL

- Designed specifically for panel or sectional style overhead doors
- Integrated mounting bracket and all necessary mounting hardware included
- Adjusts to fit most doors
- Fast installation with minimal effort
- Wide operating gap distance

Ordering information

2315A-L	Overhead/panel door track mount magnetic contact with armored cable, closed loop, up to 3 in. gap size, bracket fits 1.5 to 2.4 in. (38 to 61 mm), UL listed
2317A-L	Overhead/panel door track mount magnetic contact with armored cable, SPDT, up to 3 in. gap size, bracket fits 1.5 to 2.4 in. (38 to 61 mm), UL listed
2325A-L	Overhead/panel door track mount magnetic contact with armored cable, closed loop, up to 3 in. gap size, bracket fits 2.75 to 3.25 in. (70 to 83 mm)



2727A series overhead door contacts

high-security overhead door magnetic contacts with cable

The 2727A series high security magnetic contacts with triple-biased reeds are highly resistant to defeat by external magnets. For added security, magnetic field tamper and pry tamper are standard features. Each 2727A contact and actuation magnet set is configured at the factory for the effects of steel.

The 2727A series contacts can be used to protect doors in high-security locations or where high-value materials are stored. All the contacts in this series have been listed by the U.S. Department of Defense in DIAM 50-3 for use at secure compartmented information facilities (SCIFs).



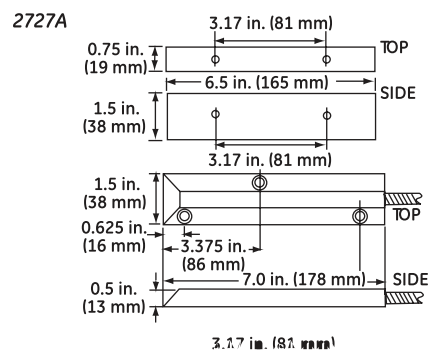
Specifications

Voltage:	30 VAC/VDC max.
Current:	0.25 A max.
Power:	3.0 W max.
Loop type:	Open or Closed
Electrical configuration:	2727 SPDT
Gap distance:	2727: Up to 2 in.
Lead type:	3 ft. stainless steel armored cable
Dimensions (HxWxD):	2727: 6.50 x 1.50 x 0.75 in. (165 x 38 x 19 mm)
Housing:	Anodized aluminum
Color:	Aluminum
Regulatory:	UL

- Triple biased for increased security
- No field adjustment necessary
- Pry tamper included
- Supervision and remote test options available

Ordering information

2727A-L	Surface mount high-security contact, for overhead doors, triple biased, SPDT, 11/16 to 2 in. gap size
---------	---





For all Sales and Technical enquiries regarding this product, please contact Alarmcorp on:

Tel: 1300 894 088

Fax: 1300 094 707

Email: sales@alarmcorp.com.au

Web: www.alarmcorp.com.au

Head Office: Level 5, 60 Collins Street, Melbourne VIC 3000

Melbourne Branch: Unit 115, 45 Gilby Road, Mt Waverley VIC 3149

Sydney Branch: Unit 3, 165 Rookwood Road, Yagoona NSW 2199

Brisbane Branch: 25 Jeays Street, Bowen Hills QLD 4006

ALARMCORP. THE FUTURE IS SECURE.