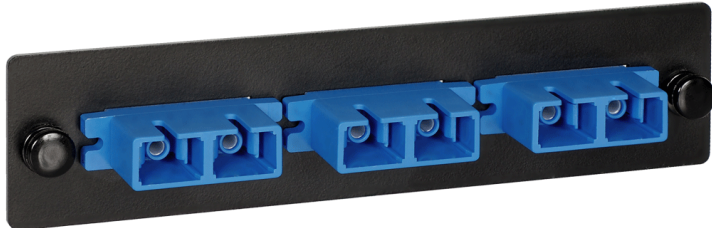


# Adapter Panel, 3-Duplex SC, 6F, Blue, SM

---

## Package Includes:

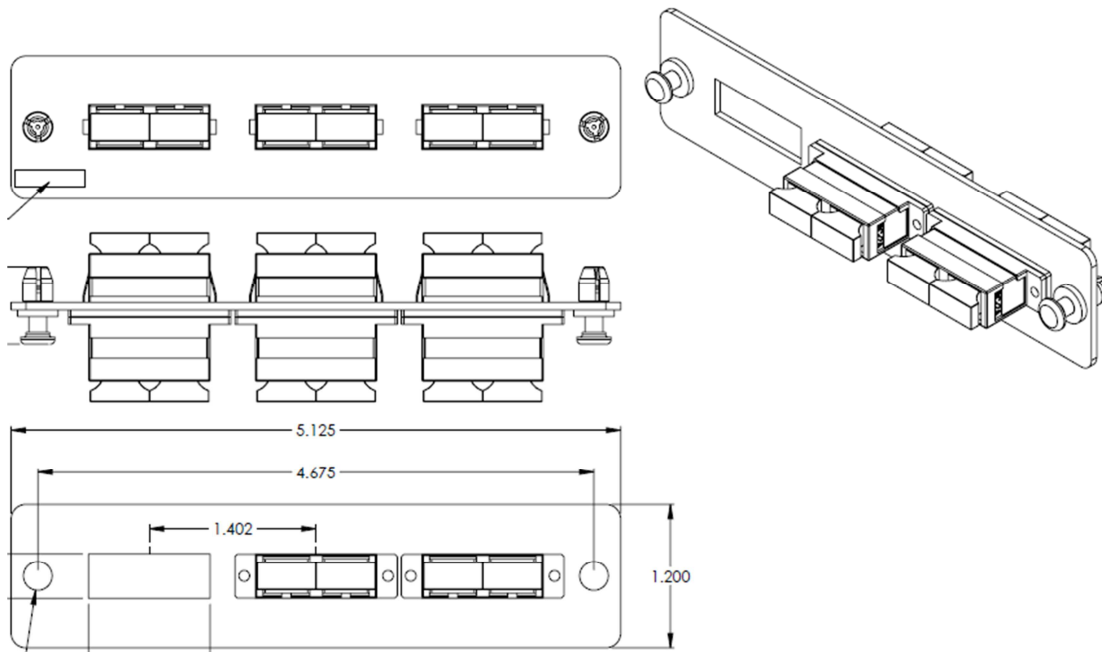
- A. 3-Duplex SC Adapter Panel, 1 pc.



## Features and Benefits

- Viable solution for high speed data transmission and broadband internet
- Provides a safe and secure means for connecting the fiber optic cables between external distribution and the active components
- Provides an easy-to-use method of connecting and routing fiber optic circuits with neat and clean appearance
- Plush pins provide a secure and snug fit
- Designed to fit ICFORPP1RM and ICFORPP2RM blank fiber optic patch panels, ICFOR fiber optic rack mount enclosures, and ICFOD fiber optic wall mount enclosures
- Compatible with singlemode SC fiber assemblies.
- Available in black

# Specifications



NOTE: UNLESS OTHERWISE SPECIFIED

1. MATERIAL:

- A. ADAPTER PANEL: 16GA CRS, TEXTURED BLACK POWDER COAT
- B. ADAPTER: PLASTIC BODY – COLOR: BLUE
- C. DUST CAP: PLASTIC
- D. SLEEVE: CERAMIC (SM)

For warranty information, go online to [icc.com/warranty](http://icc.com/warranty).

Part No: ICFOPS26BK Rev: A

Part No.: ICFOPS26BK

Rev: A

Page 2 of 2

| 888-ASK-4ICC | [icc.com](http://icc.com) | [csr@icc.com](mailto:csr@icc.com) |

