

CL3300 and CL3600 SERIES LEVER LOCKSETS

(Prepared for Interchangeable Core)

FM 123 Rev. D 01/04 (617401900)

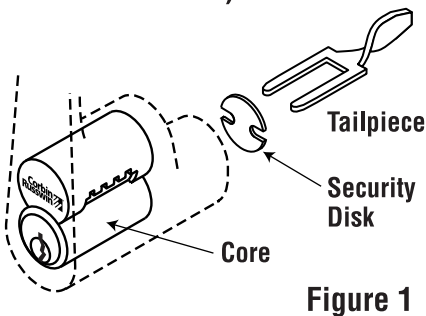
Installation Instructions

UPDATED INFORMATION

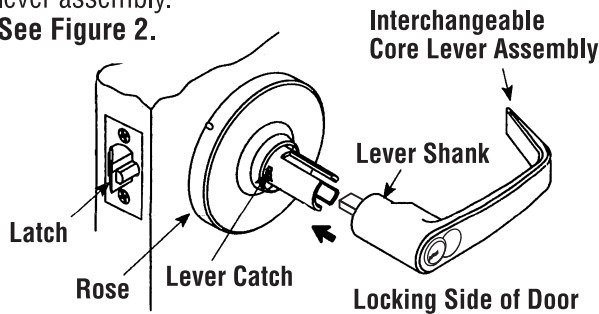
- Interchangeable Core Levers now shipped with Cores Installed. (unless lockset is ordered less Core(s)).
- **NO** Key used to install Lever.

I. To Install Interchangeable Core Lever (Core already installed in lever)

- A. Slip security disk onto prongs of tailpiece and insert tailpiece into two holes in back of core. See Figure 1.



- B. Align lever catch slot (found inside lever shank) with lever catch. See Figure 2. Slide lever assembly onto chassis up to lever catch. Depress lever catch and push lever assembly until lever catch is engaged, securing lever assembly. See Figure 2.

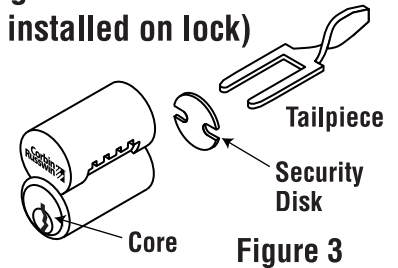


Do Not Use Key to Install Lever

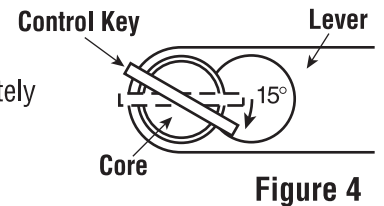
Figure 2

II. To Install Interchangeable Core (With lever already installed on lock)

- A. Slip security disk onto prongs of tailpiece and insert tailpiece into two holes in back of core. See Figure 3.



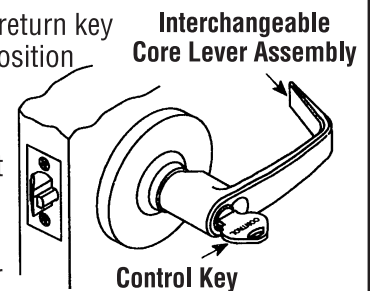
- B. Insert key marked CONTROL and turn clockwise approximately 15 degrees. See Figure 4.



- C. Insert core into lever and return key to its original horizontal position locking core in place. See Figure 5.

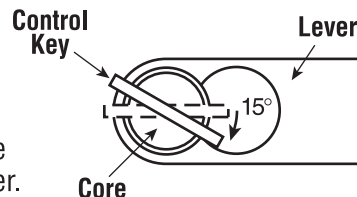
- D. Withdraw key. Test lockset for correct function with operating key.

- E. Control key has no further use in lockset installation and must be safeguarded for return to Security personnel when installation is complete. See Figure 5.



III. To Remove Interchangeable Core

- A. Insert key marked CONTROL and turn clockwise approximately 15 degrees. See Figure 6.



- B. Pull core and tailpiece completely out of lever.

Figure 6

IV. To Remove Interchangeable Core Lever

- A. Remove core and tailpiece with key marked CONTROL.
- B. Using flat blade screwdriver, pull back lever catch while pulling lever off. See Figure 7.

