

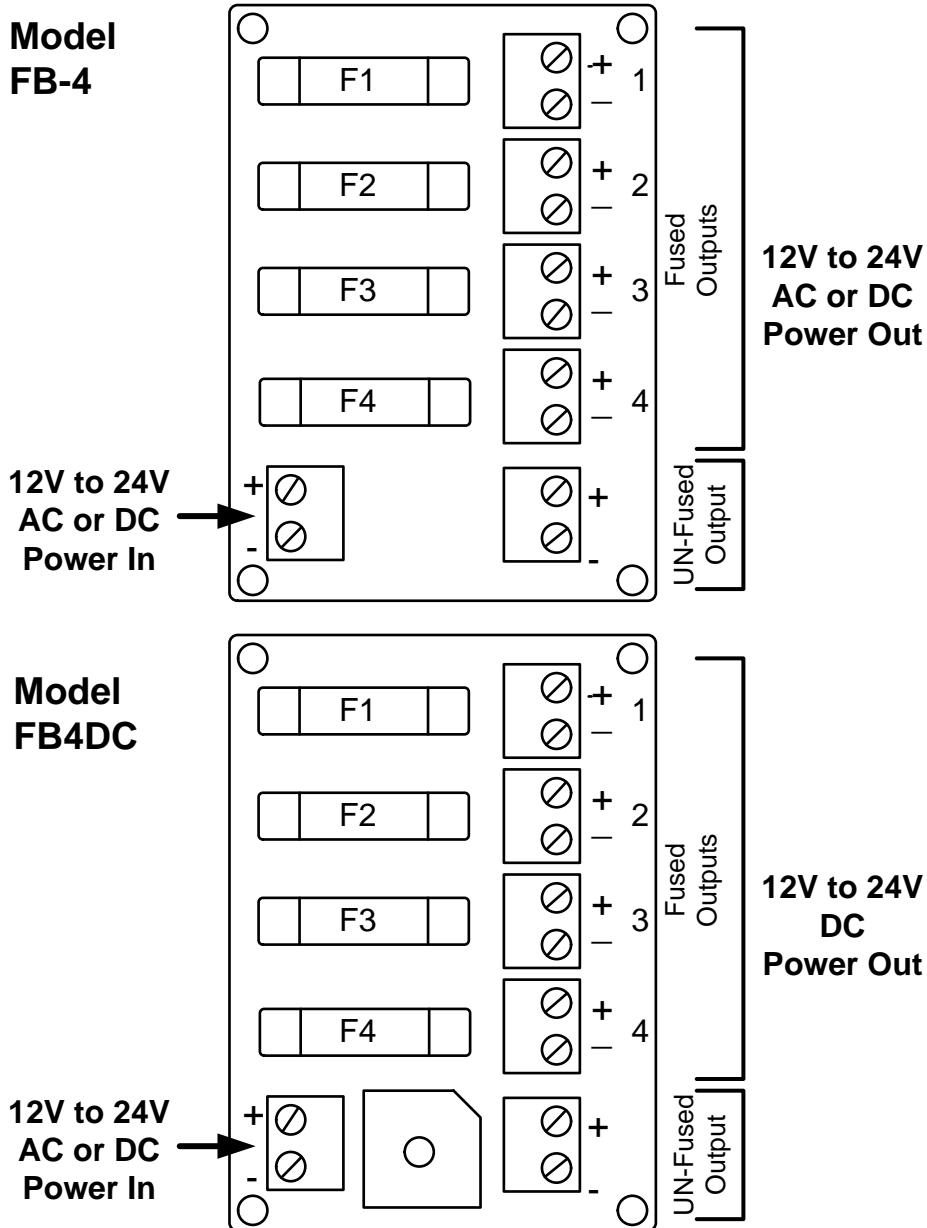
# **SDC** SECURITY DOOR CONTROLS

801 Avenida Acaso, Camarillo, Ca. 93012 • (805) 494-0622 • Fax: (805) 494-8861  
 www.sdcsecurity.com • E-mail: service@sdsecurity.com

## INSTALLATION WIRING DIAGRAM FB-4 and FB4DC FUSED TERMINAL BOARDS

The FB-4 provides four (4) individually fused outputs for modular system protection. A 2 amp fuse is supplied for each of the 4 fused outputs. Determine the load requirement for each output and change the fuse with a different rating as needed. The output voltage supplied to each output is the same as the voltage input. The total current required for all of the outputs must not exceed the power supply output current rating.

The FB4DC includes an integrated full wave bridge rectifier to allow the use of an AC transformer or a DC power supply to provide a DC output voltage.

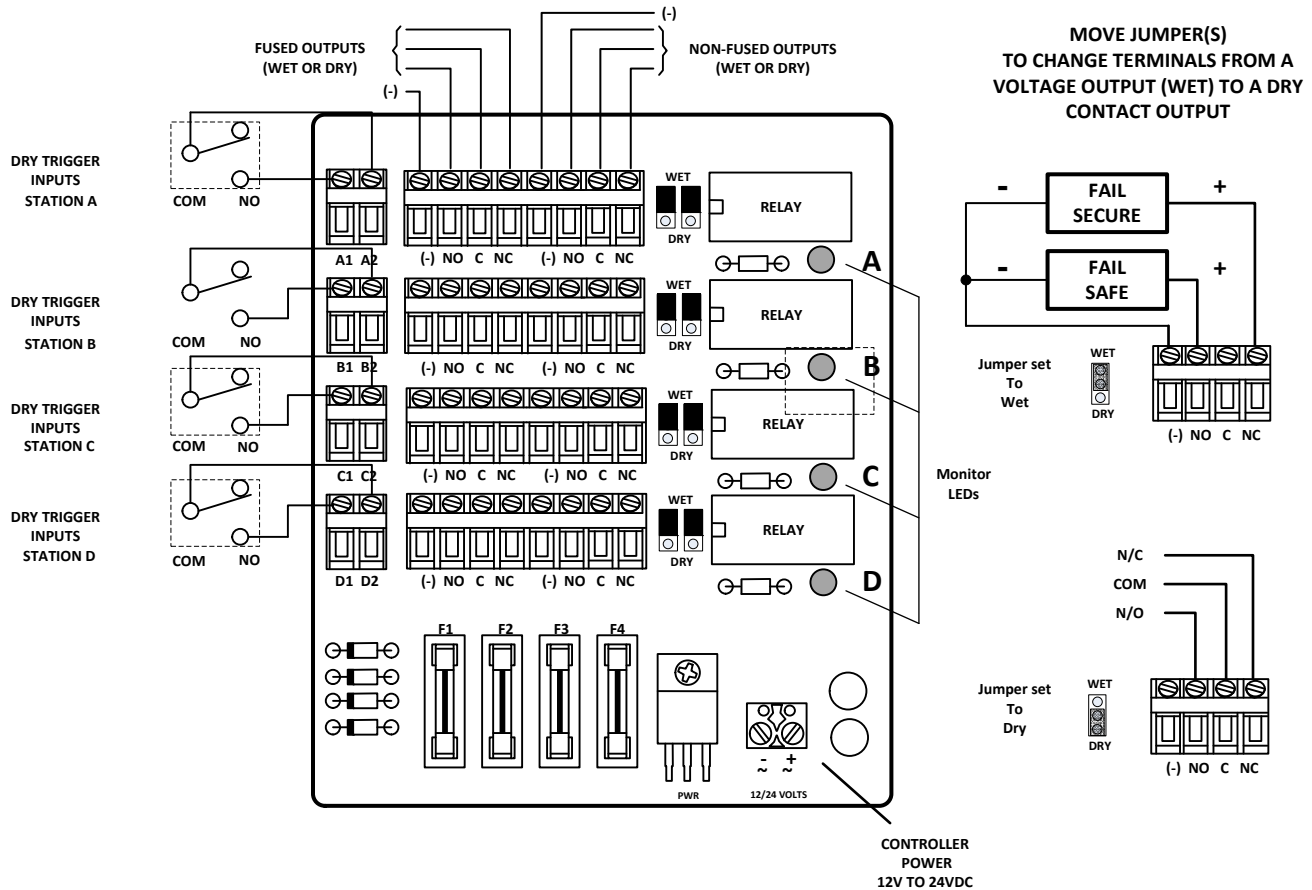


# SDC SECURITY DOOR CONTROLS

801 Avenida Acaso, Camarillo, Ca. 93012 • (805) 494-0622 • Fax: (805) 494-8861  
 www.sdcsecurity.com • E-mail: service@sdsecurity.com

## CR4 INSTALLATION WIRE DIAGRAM FOUR STATION CONTROL RELAY MODULE

The CR4 module operates on 12V or 24V DC and provides control of four (4) stations. Each CR4 station accepts a Dry (NO) trigger input and provides one (1) Fused 2 Amp SPDT Output (jumper selectable Wet or Dry) and one (1) Non-fused Dry (2 Amp) SPDT output (jumper selectable Wet or Dry). Closing a switch across the Dry Trigger Input for Station A, B, C or D will release the output for the amount of time that the trigger input is held closed. The CR4 module can be used to indicate status or implement multiple door interlocks.



**Controller Dimensions:** 4.25" x 3.40" x 5/8" (107.95mm x 86.36mm x 15.875mm)

**Controller Input Voltage:** 12V or 24VAC or DC; 0.15 Amp Maximum

**Controller Stations:** Four (4) Independent Stations

**Control Inputs (Per Station):** One (1) (Dry Contact Required)

**Controller Outputs (Per Station):** One (1) SPDT Fused Wet or Dry Output  
 One (1) SPDT Non Fused Wet or Dry Output

**Relay Contact Ratings:** 2 Amp @ 30VDC (resistive)

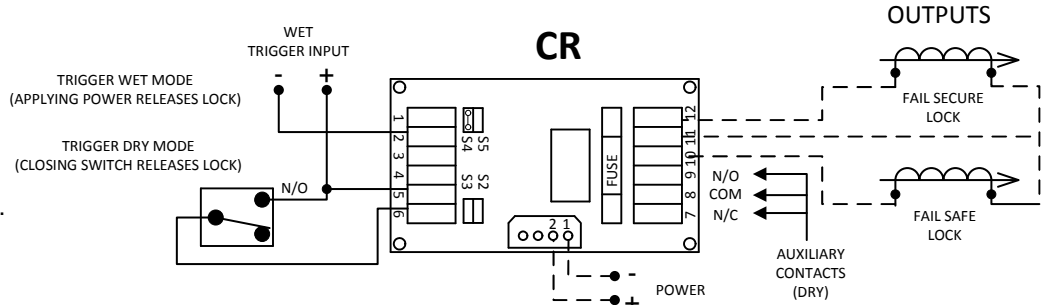
# SDC SECURITY DOOR CONTROLS

801 Avenida Acaso, Camarillo, Ca. 93012 • (805) 494-0622 • Fax: (805) 494-8861  
 www.sdcsecurity.com • E-mail: service@sdsecurity.com

## INSTALLATION WIRING DIAGRAM DOOR CONTROL MODULES

### CR CONTROL RELAY MODULE

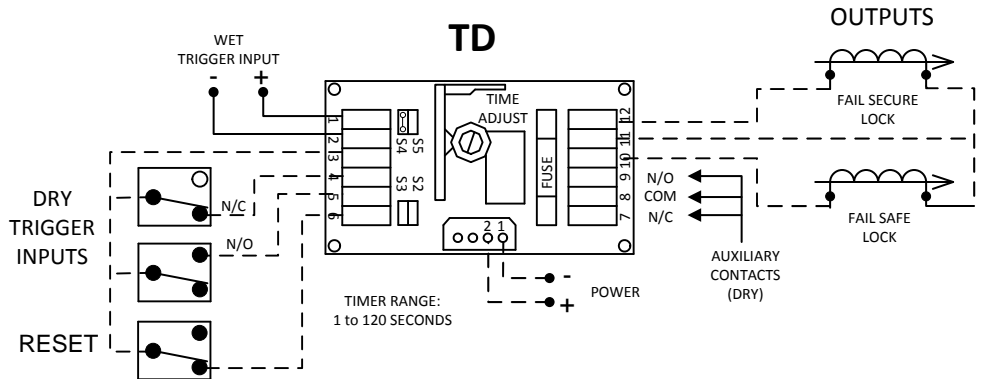
1. Select wet or dry trigger input.
2. Wet trigger input must be the same as output voltage, AC or DC.
3. N/O trigger inputs shown. When using N/C trigger inputs, outputs are reversed.



1 SPDT voltage output Max. 5 amp @ 12/24VDC  
 1 SPDT dry contact 5 amp @ 30VAC

### TD TIME DELAY RELAY MODULE

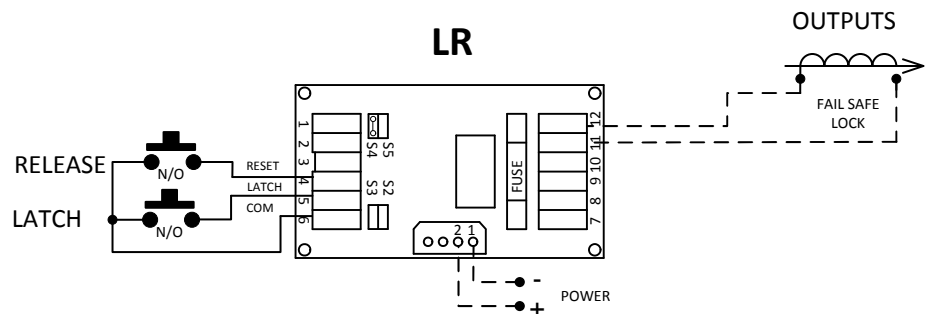
1. Wet and dry trigger input may be used.
2. Wet trigger input may be 12V or 24V AC or DC.
3. Normally off wet trigger input shown. When using normally on trigger input, outputs are reversed.
4. Reset; adding door position switch resets timer to assure immediate relocking when door closes to guard against unauthorized entry of following pedestrian.



1-120 Second Adjustable time delay. 1 SPDT voltage output  
 Max. 5 amp @ 12/24VDC. 1 SPDT dry contact 5 amp @ 30VAC

### LR LATCHING RELAY MODULE

1. Momentarily activating the Latch input activates and latches the lock output .
2. Momentarily activating the Release input releases the lock output

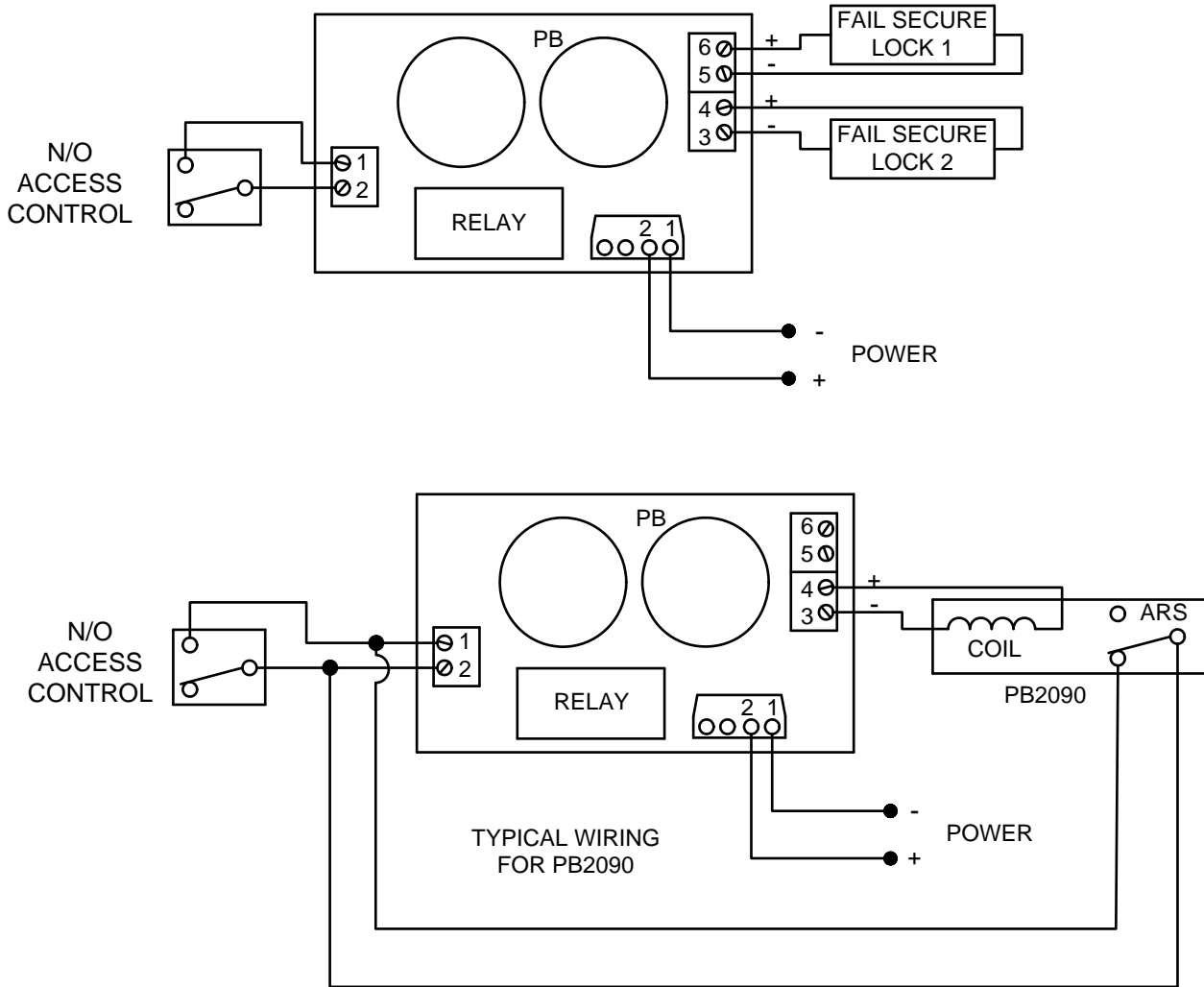


1 SPDT voltage output Max. 5 amp @ 12/24VDC

# SDC SECURITY DOOR CONTROLS

801 Avenida Acaso, Camarillo, Ca. 93012 • (805) 494-0622 • Fax: (805) 494-8861  
 www.sdcsecurity.com • E-mail: service@sdsecurity.com

## INSTALLATION WIRE DIAGRAM DOOR CONTROL MODULES PB-8 & PB-16



### POWER BOOSTER MODULES

1. Dry trigger input only
2. Both outputs are fail secure

#### PB-8

Power Booster for High Inrush Electric Panic Devices and Locks  
 1 Amp continuous @ 24 VDC, 8 Amp surge output.

#### PB-16

Power Booster for High Inrush Electric Panic Devices and Locks  
 a Amp continuous @ 24 VDC, 16 Amp surge output.

# SDC SECURITY DOOR CONTROLS

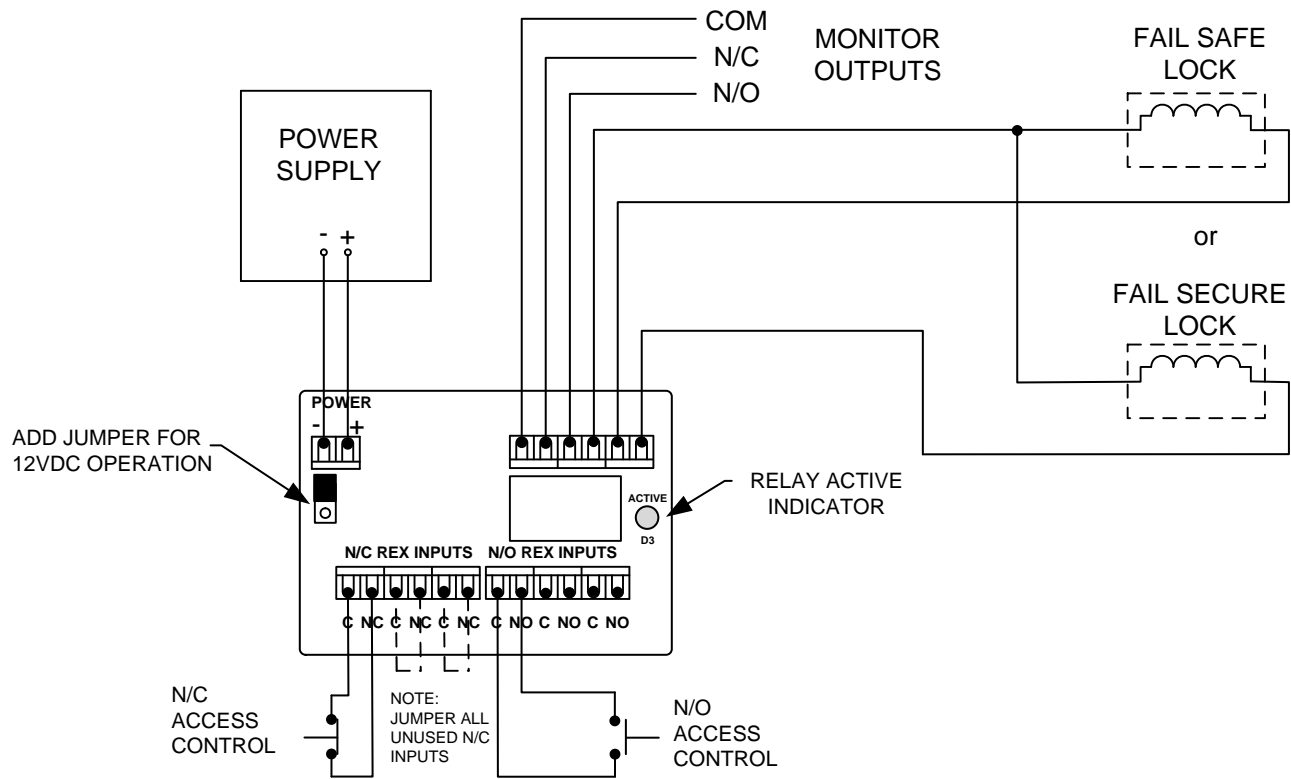
801 Avenida Acaso, Camarillo, Ca. 93012 • (805) 494-0622 • Fax: (805) 494-8861  
 www.sdcsecurity.com • E-mail: service@sdsecurity.com

The SDC ACM-1 Access Control Module is an installer friendly interface relay board designed to release a magnetic locking device or electric strike, to provide a lock status output and to provide easy to use multiple wiring terminals for additional access control REX (Request to Exit) inputs.

## Operation

When any REX input is activated, the relay will release the magnetic lock or electric strike. The Lock Status Output will change state and the green LED will illuminate.

Compatible with any Request to Exit (REX) output, i.e. Request-to-Exit Push Bar, Keypad, Card Reader, Motion Sensor, Push Button or Key Switch.



## ELECTRICAL DATA

- 12/24vdc Input Voltage.
- 75mA Input controller current.
- 3 – N/C Normally Closed Inputs with screw terminals.
- 3 – N/O Normally Open Inputs with screw terminals.
- 5 Amp (Resistive) Fail Safe Lock Output.
- 5 Amp (Resistive) Fail Secure Lock Output.
- Lock Status Output – SPDT (Form C) Dry Contact.
- Green LED Indicator – Illuminated when lock is activated.
- Size: 3.20" (81.28mm) W x 2.00" (50.8mm) L x 1.00" (25.4mm) H.
- Fits all SDC Power Supplies. Requires 1 Module space.
- Supplied with mounting screws and standoffs for J-box mounting.

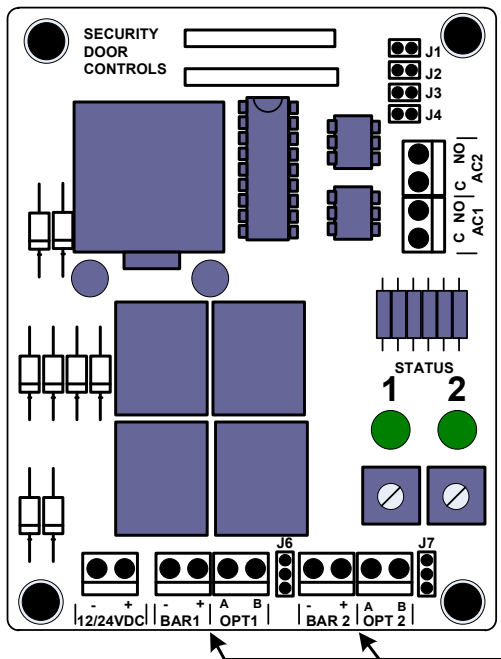
Any suggestions or comments to this instruction or product are welcome. Please contact us through our website or email [engineer@sdsecurity.com](mailto:engineer@sdsecurity.com)



# SECURITY DOOR CONTROLS

801 Avenida Acaso, Camarillo, Ca. 93012 • (805) 494-0622 • Fax: (805) 494-8861  
www.sdcsecurity.com • E-mail: service@sdsecurity.com

## INSTALLATION INSTRUCTIONS MODEL EMC ELECTRIC LATCH RETRACTION SEQUENCER MODULE



- ← **FEATURE JUMPERS** Select Single or Pairs of Doors activation. Select time period to delay operator activation
- ← **ACCESS CONTROL INPUTS** A momentary closure will retract the latch. The device will release after the input is removed and the operator activation delay period has expired.
- ← **STATUS LED'S** Provides a visual indication of the device latch status and time delay status  
Grn= Device not powered (Latch Extended)  
Red= Device powered (Latch Retracted)
- ← **OPERATOR ACTIVATION PERIOD ADJ.** Adjust to control the length of time that the operator output relay activates. (Factory set at 5 seconds)
- ← **DOOR OPERATOR OUTPUTS (OPT)** Isolated relay contacts provide a delayed signal to activate the automatic door operator.
- ← **ELR DEVICE OUTPUTS (BAR)** Connect the SDC 6000FE or 6000PE device here.

### OPERATION:

The EMC dual channel sequencer module may be used with the S6000FE and S6000PE series Electric Latch Retraction device to provide a delayed signal to operate an automatic door operator or when powering a pair of devices from a single SDC 600 series power supply.

Each of the two sequencer channels provide a voltage output to power an ELR device and a "delayed" SPST dry auxiliary output for activation of an automatic door operator. Each of the two sequencer channels may be operated independently or in tandem mode for pairs of doors.

When the EMC is used in the tandem mode, power supply requirements for a pair of doors are minimized. Since the attached electric latch retraction devices are powered in a sequential manner, the inrush current of each device is staggered. This creates a lower current requirement upon activation. A smaller power supply can now be used to operate the pair of devices .

### ELECTRICAL SPECIFICATIONS

**EMC:** Electric Latch Retraction Sequencer  
Input Voltage: 12Vvdc or 24vdc  
Input Current: 140mA max  
Output Voltage: 12VDC or 24VDC (Same as Input Voltage)  
Operator Contacts: 10 AMP @ 30VDC (Resistive)  
Access Control Inputs: N/O Dry Contact

**S6000FE:**  
**S6000PE:** Electric Latch Retraction Device  
Input Voltage: 24VDC  
Current Req: 1 Amp Activation/ 180ma Holding

### Recommended Power Supply

**602RF:** Regulated Power Supply  
Input Voltage: 120vac  
Input Current: 600mA max  
Output Voltage: 12VDC or 24VDC  
Output Current: 1 AMP @ 12vdc or 24vdc

Any suggestions or comments to this instruction or product are welcome. Please contact us through our website or email engineer@sdsecurity.com

# TYPICAL WIRING

