

ENFORCER®

EV-2646-NKGQ (NTSC)

EV-2646-PKGQ (PAL)

Armored Ball Turret Camera

Manual



- 1/3" SONY Super HAD CCD
- 600 TV Lines
- Digital Noise Reduction (DNR)
- 32x Digital Slow Shutter
- 42 IR LEDs
- 2.8~12mm lens

SLI® **SECO-LARM**®

FC **RoHS** **CE**

Note: Model numbers that end with "Q" or that have a round green "Q" sticker signify RoHS-compliant products.

Specifications:

Model Number	EV-2646-NKGQ	EV-2646-PKGQ
Type	Turret Dome Camera	
CCD	1/3" SONY Super HAD CCD	
Resolution	600 TV Lines	
Video Output	1.0Vp-p composite video, 75Ω	
Video Output Format	NTSC	PAL
Pickup Elements	768x494 pixels	752x582 pixels
Lens (DC Auto Iris)	2.8~12mm	
Minimum Illumination	0.000006-lux (IR LEDs on)	
Digital Slow Shutter (DSS)	Auto 32x	
Digital Noise Reduction (DNR)	Auto	
S/N Ratio	52dB (AGC Off, Weight on)	
White Balance	ATW	
Shutter Control	1/60	
Gain Control	Middle	
IP Rating	IP65	
# of Infrared LEDs	42 (850nm)	
LED Range	65 ft (20m)	
Power Source	12VDC/24VAC Dual	
Current Draw	450mA	
Operating Temperature	14°~122° F (-10°~50° C)	
Dimensions	5 1/2"x4 3/8"x5 1/2" (140x111x140 mm)	
Weight	3-lb (1400g)	

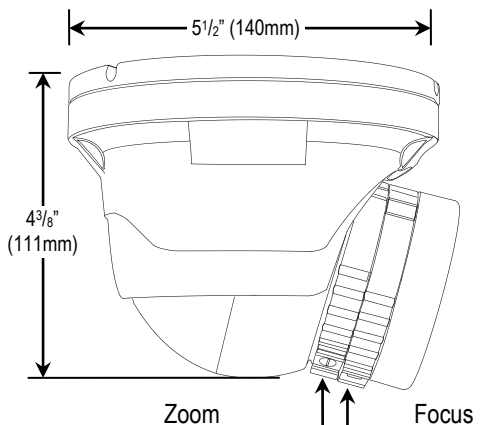
Parts List:

1 x Camera ball
1 x Case

1 x Base
3 x Mounting screws

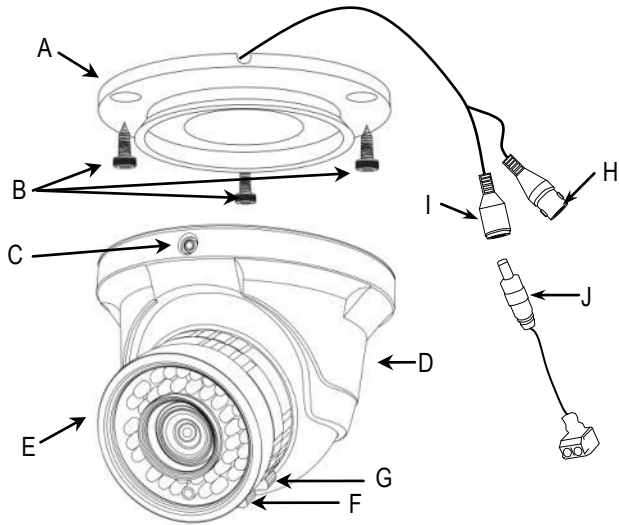
1 x Allen wrench
1 x Pigtail connector
with terminal block

Dimensions:



Overview:

- A. Base
- B. Mounting screws
- C. Set screw
- D. Case
- E. Camera ball
- F. Focus
- G. Zoom
- H. Female BNC connector
- I. DC Jack
- J. Pigtail connector with terminal block

**Before Starting:**

1. Please read this manual carefully and keep it for future reference.
2. Use the camera within given temperature and electrical limits.
3. Do not aim the LED light directly at the eyes when the LEDs are on.
4. Do not point the camera at the sun. Heat could damage the camera, even when not in use.
5. Do not mount the camera in areas exposed to radiation, strong magnetic fields, or strong electrical signals.*
6. Do not open or disassemble the camera. There are no field serviceable parts inside.
7. Do not drop the camera or subject it to strong vibrations.

***Note:** Many video monitors produce strong electromagnetic fields close to the display CRT, especially when the monitor is turned on or during de-gaussing, which occurs automatically with many monitors when turning on.

Installation:

1. Run a 12VDC or 24VAC power supply wire and a video cable with a male BNC connector through the wall to where the camera is to be mounted.
2. Loosen the two set screws with the included allen wrench and remove the case from the base.
Note: The camera ball is NOT attached to the case or base. It sits loose inside the case. Therefore, be very careful when removing the case from the base not to drop the camera ball.
3. Mount the base to the wall using the three included mounting screws.
4. Run the camera's BNC and power connectors through the camera base, and connect them to the video and power wires that were run through the wall.
5. Place the case over the camera ball and loosely secure it using the included allen wrench.
6. Once the ball is pointing in the desired direction, tighten the outer case ring to secure the camera in its position.
7. With the camera ball tight, set your desired zoom/focus to cover the area you wish to protect.
8. Do a final test of the video camera and the monitor.

Note: The base also allows for surface wiring of the camera. However, for a cleaner and more secure installation, run the wires through the wall.

Troubleshooting

The screen is blank.	<ul style="list-style-type: none">• Check that the camera is powered up.• Check that the power supply's polarity is correct.• Check that the monitor is powered up.• Check that the video cable connecting the camera to the monitor is connected properly.
The screen image is dim.	<ul style="list-style-type: none">• Clean the lens using a soft, clean cloth.• Check that the light source is adequate.
The screen image has poor contrast.	<ul style="list-style-type: none">• Adjust the monitor's contrast knob.• Change the position of the camera.
The screen image flickers.	<ul style="list-style-type: none">• Change the position of the camera.
The screen image is distorted.	<ul style="list-style-type: none">• Change the position of the camera.
The camera case is hot.	<ul style="list-style-type: none">• Check that the correct power supply is in use.
IR LEDs do not turn on.	<ul style="list-style-type: none">• Check that the correct power supply is in use.

IMPORTANT

Users and installers of this product are responsible for ensuring this product complies with all national, state, and local laws and statutes related to monitoring and recording audio and video signals. SECO-LARM will not be held responsible for the use of this product in violation of any current laws or statutes.

WARNING

Stop using the camera if you see a malfunction such as smoke or unusual heat, as it could cause fire or electric shock. Do not open the case of this device, as there are no user-serviceable components inside.

FCC COMPLIANCE STATEMENT

Information to the user: This equipment has been tested and found to comply with the limits for a class B digital device, pursuant to part 15 of the FCC rules. These limits are designed to provide reasonable protection against harmful interference when the equipment is operated in a commercial environment. This equipment generates, uses, and can radiate radio frequency energy and, if not installed and used in accordance with the instruction manual, may cause harmful interference to radio communications. Operation of this equipment in a residential area is likely to cause harmful interference in which case the user will be required to correct the interference at his or her own expense.

WARRANTY: This SECO-LARM product is warranted against defects in material and workmanship while used in normal service for a period of three (3) years from the date of sale to the original consumer customer. SECO-LARM's obligation is limited to the repair or replacement of any defective part if the unit is returned, transportation prepaid, to SECO-LARM.

This Warranty is void if damage is caused by or attributed to acts of God, physical or electrical misuse or abuse, neglect, repair or alteration, improper or abnormal usage, or faulty installation, or if for any other reason SECO-LARM determines that such equipment is not operating properly as a result of causes other than defects in material and workmanship.

The sole obligation of SECO-LARM, and the purchaser's exclusive remedy, shall be limited to replacement or repair only, at SECO-LARM's option. In no event shall SECO-LARM be liable for any special, collateral, incidental, or consequential personal or property damages of any kind to the purchaser or anyone else.

NOTICE

The information and specifications printed in this manual are current at the time of publication. However, the SECO-LARM policy is one of continual development and improvement. For this reason, SECO-LARM reserves the right to change specifications without notice. SECO-LARM is also not responsible for misprints or typographical errors.

Copyright © 2011 SECO-LARM U.S.A., Inc. All rights reserved. This material may not be reproduced or copied, in whole or in part, without the written permission of SECO-LARM.

SECO-LARM U.S.A., Inc.
16842 Millikan Avenue, Irvine, CA 92606
Tel: 800-662-0800 / 949-261-2999

Website: www.seco-larm.com
E-mail: sales@seco-larm.com

 PIKHR1

MIEV-2646-xKGQ_1106.docx