

SECO-LARM

Large IR Vandal Dome Cameras

Manual



Model No.	Resolution	Lens	# of IR LEDs
-----------	------------	------	--------------

NTSC

EV-2186-NKEQ	420 TV Lines	2.8~11mm	18
EV-2786-NKEQ	600 TV Lines	2.8~11mm	18

PAL

EV-2186-PKEQ	420 TV Lines	2.8~11mm	18
EV-2786-PKEQ	600 TV Lines	2.8~11mm	18



Specifications:

		NTSC	EV-2186-NKEQ	EV-2786-NKEQ
		PAL	EV-2186-PKEQ	EV-2786-PKEQ
Type		Vandal Dome Camera		
CCD		1/3" Sony Super HAD II CCD		
Resolution		420 TVL	600 TVL	
Lens		2.8~11mm DC Auto Iris		
# of IR LEDs		18 (850nm)		
IR range		50~65 ft (15~20 m)		
Pickup elements	NTSC	510x492 pixels	768x494 pixels	
	PAL	500x528 pixels	752x582 pixels	
Sync		Internal		
Video output		1Vp-p composite video, 75Ω		
Minimum illumination		0-lux (LEDs ON)		
S/N ratio		>48dB		
Shutter control		DC auto iris		
Gain control		Auto		
White balance		Auto		
Operating voltage		12VDC ±10%		
Current draw	LEDs OFF	80mA		
	LEDs ON	280mA		
IP Rating		IP65		
Operating temperature		-4°~122° F (-20°~50° C)		
Dimensions		5 1/2" x 4 1/2" (140x115 mm)		
Weight		27-oz (752g)		

Parts List:

1 x Camera

4 x Mounting screws

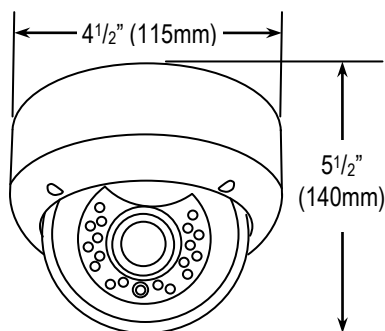
1 x DC plug with terminal block

1 x Manual

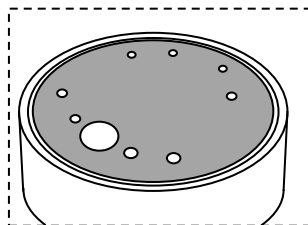
4 x Screw anchors

1 x Allen wrench

Dimensions:

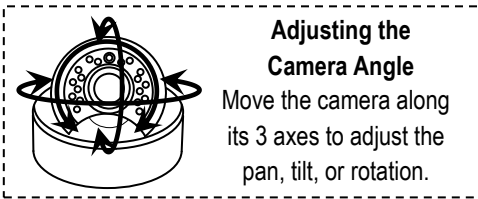
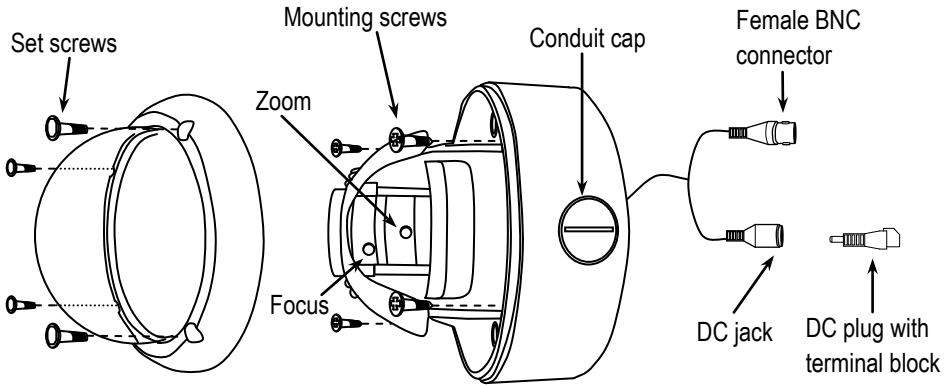


Applying the Rubber Seal:



If using the camera outdoors, use the rubber seal. To use, remove the backing and apply to the camera base.

Overview:



Important:

Do not cut the DC jack or the female BNC connector as this will void the warranty.

Before Starting:

1. Please read this manual carefully and keep it for future reference.
2. Use the camera within given temperature and electrical limits.
3. Do not aim the LEDs directly at the eyes when the LEDs are on.
4. Do not point the camera at the sun. Heat could damage the camera, even when not in use.
5. Do not mount the camera in areas exposed to radiation, strong magnetic fields, or strong electrical signals¹.
6. Do not open or disassemble the camera. There are no field-serviceable parts inside.
7. Do not drop the camera or subject it to strong vibrations.

Note: Many video monitors produce strong electromagnetic fields close to the display CRT, especially when the monitor is turned on or during de-Gaussing, which occurs automatically with many monitors when turning on.

Installation:

1. Run hidden cables from the video source and 12VDC power supply and connect to the camera. **Do not cut the DC jack or the female BNC connector as this will void the warranty. If needed, use the included SECO-LARM DC plug with terminal block.**
2. Test to make sure the voltage from the power supply is correct. Use only 12VDC.
3. Undo the 4 set screws on the side of the dome cover using the included allen wrench and remove the dome from the base.
4. If mounting outdoors, apply the rubber seal to the base as shown on page 2, *Applying the Rubber Seal*.
5. Hold the camera against the wall, ceiling, or other mounting surface while watching the monitor to find the best mounting location. Mark that location with a pencil.
6. If the installation involves surface wiring, remove the conduit cap using a screwdriver and run wires through the hole.
6. Mount the mounting base to the wall using the 4 included mounting screws. If necessary, use the included screw anchors.
7. Adjust the camera angle as shown above.
8. Test the video signal.
9. To adjust zoom and focus, loosen the lock knobs by hand or with a screwdriver. Slide left or right to adjust. **Do not use power tools. Lens damage may result.**
10. Reattach the dome to the camera using the included allen wrench to tighten the set screws.
11. Do a final test of the video camera and monitor.

Troubleshooting:

The screen is blank.

- Check that the camera is powered up.
 - Check that the power supply's polarity is correct.
 - Check that the monitor is powered up.
 - Check that the video cable connecting the camera to the monitor is connected properly.
-

The screen image is dim

- Clean the lens using a soft, clean cloth.
 - Check that the light source is adequate.
-

The screen image has poor contrast.

- Adjust the monitor's contrast knob.
 - Change the position of the camera.
-

The screen image flickers.

- Change the position of the camera.
-

The screen image is distorted.

- Change the position of the camera.
-

The camera case is hot.

- Check that the correct power supply is in use.
-

IR LEDs do not turn on.

- Check that the correct power supply is in use.
-

IMPORTANT

Users and installers of this product are responsible for ensuring this product complies with all national, state, and local laws and statutes related to monitoring and recording audio and video signals. SECO-LARM will not be held responsible for the use of this product in violation of any current laws or statutes.

WARNING

Stop using the camera if you see a malfunction such as smoke or unusual heat, as it could cause fire or electric shock. Do not open the case of this device, as there are no field-serviceable components inside.

FCC COMPLIANCE STATEMENT

Information to the user: This equipment has been tested and found to comply with the limits for a class B digital device, pursuant to part 15 of the FCC rules. These limits are designed to provide reasonable protection against harmful interference when the equipment is operated in a commercial environment. This equipment generates, uses, and can radiate radio frequency energy and, if not installed and used in accordance with the instruction manual, may cause harmful interference to radio communications. Operation of this equipment in a residential area is likely to cause harmful interference in which case the user will be required to correct the interference at his or her own expense.

WARRANTY: This SECO-LARM product is warranted against defects in material and workmanship while used in normal service for a period of one (1) year from the date of sale to the original customer. SECO-LARM's obligation is limited to the repair or replacement of any defective part if the unit is returned, transportation prepaid, to SECO-LARM.

This Warranty is void if damage is caused by or attributed to acts of God, physical or electrical misuse or abuse, neglect, repair or alteration, improper or abnormal usage, or faulty installation, or if for any other reason SECO-LARM determines that such equipment is not operating properly as a result of causes other than defects in material and workmanship.

The sole obligation of SECO-LARM and the purchaser's exclusive remedy, shall be limited to replacement or repair only, at SECO-LARM's option. In no event shall SECO-LARM be liable for any special, collateral, incidental, or consequential personal or property damages of any kind to the purchaser or anyone else.

NOTICE

The information and specifications printed in this manual are current at the time of publication. However, the SECO-LARM policy is one of continual development and improvement. For this reason, SECO-LARM reserves the right to change specifications without notice. SECO-LARM is also not responsible for misprints or typographical errors.

Copyright © 2011 SECO-LARM U.S.A., Inc. All rights reserved. This material may not be reproduced or copied, in whole or in part, without the written permission of SECO-LARM.

SECO-LARM U.S.A., Inc.
16842 Millikan Avenue, Irvine, CA 92606
Tel: 800-662-0800 / 949-261-2999

Website: www.seco-larm.com
E-mail: sales@seco-larm.com



MIEV-2x86-xKEQ_1011.docx