

Description

Talkaphone's ETP-SML Lighted Surface Mount Accessory is designed to surface mount any Talkaphone flush mount emergency phone indoors or outdoors and to identify the location of an emergency phone with lettering on both sides. The emergency phone faceplate is also illuminated at all times for clear visibility during the night. The unit is constructed of durable stainless steel with a weather-protective hood.

Features

- Durable housing is suitable for mounting an emergency phone outdoors on a wall or a pole
- Emergency phone faceplate is illuminated at all times by an LED Panel Light
- Includes two removable internal panels for mounting additional devices, including model ETP-GSM cellular interface and a power supply
- Vandal-resistant stainless steel construction
- A variety of signage, graphics, and color choices are available



Specifications

Dimensions (W x D x H):	10.72 x 6.90 top [5.28 bottom] x 14.26 in. (272 x 175 top [134 bottom] x 362 mm)
Weight:	12 lbs. (5.4 kg)
Construction:	16GA (.0625 in.) brushed stainless steel
Colors:	Safety Yellow is standard. Available in custom colors.
Signage:	0.75 in. high reflective black "EMERGENCY" lettering with wide-angle visibility is standard. Available as "ASSISTANCE", "INFORMATION", or custom lettering, colors, and graphics.
Lighting:	LED Panel Light: Ultra bright LEDs, 50,000 hour lifetime
Power:	LED Panel Light: 2.7 watts max, 12-120VAC/DC
Mounting:	Mounts to a wall or straps to a pole or a kiosk
Warranty:	2-year warranty

ETP-SML – Lighted Surface Mount Accessory

Accessories

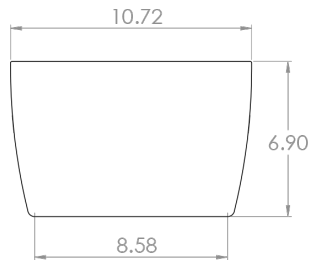
Pole Mounting Kit:

Order **ETP-PMKT** Pole Mounting Kit for strapping ETP-SML to a pole.

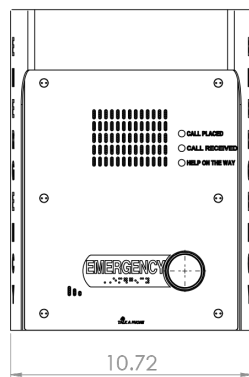
Strapping Tool:

Order **ETP-PMKT-TOOL** Strapping Tool for use with **ETP-PMKT** Pole Mounting Kit.

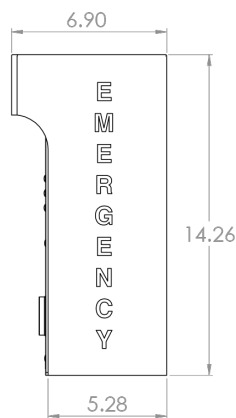
Dimensional Diagram



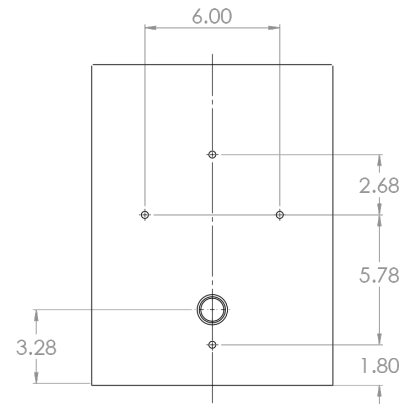
TOP VIEW



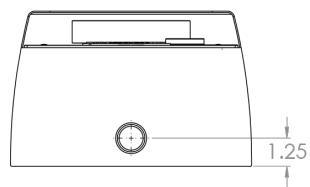
FRONT VIEW



SIDE VIEW



REAR VIEW



BOTTOM VIEW

All dimensions are in inches and are provided for reference only.