

Description

Use the pole mounting kit, model **ETP-PMKT**, to strap a Talk-A-Phone surface mount or wall mount to a post.

Features

- Allows for easy, safe mounting to a horizontal or vertical post
- For indoor or outdoor use
- Designed to accommodate a post of up to 12" diameter



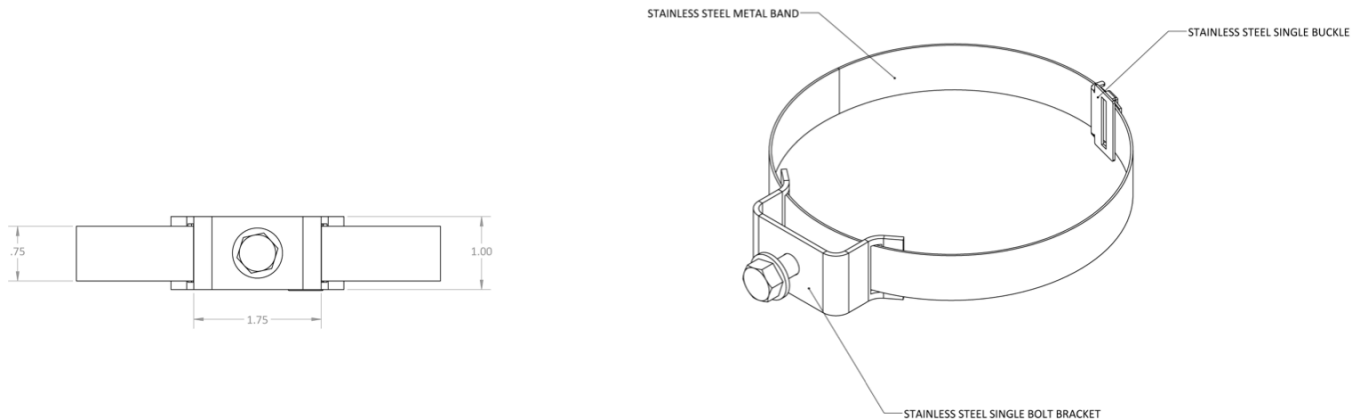
Specifications

Contents: 4x 3/4" 1-bolt flared leg brackets (includes bracket, bolt, and washer)
 2x 3/4" buckles
 80" strand of 3/4" band

Weight: 2 lbs (0.9 kg)

Strapping Tool: Use Talk-A-Phone model **ETP-PMKT-TOOL** strapping tool

Dimensional Diagram



All dimensions are in mm and are provided for reference only.