



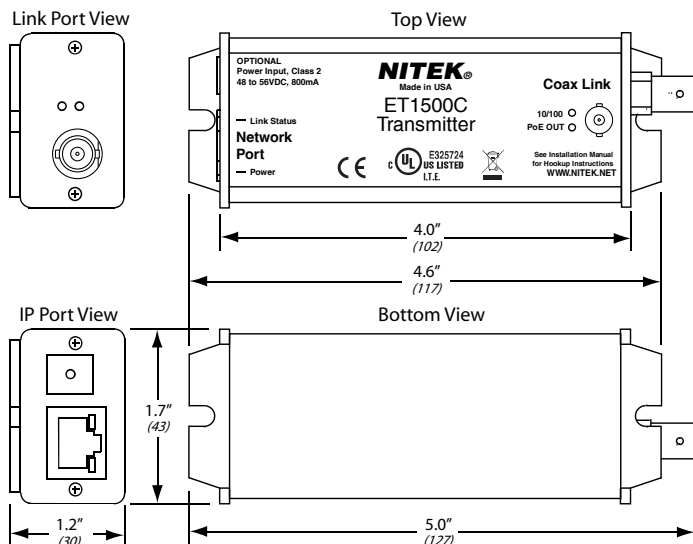
Description

The **ET1500C** is another component of the NITEK cutting edge **EtherStretch** line. This Environmentally Hardened **Etherstretch** solution allows for the utilization of existing cable infrastructure (coax or UTP) to transmit data from IP cameras and other network devices along with PoE power to operate these network devices over the wire for distances up to 500 meters or 1640 feet.

The **ET1500C** is part of an overall system. The transmitter works in conjunction with a multi-port receiver and requires very little installation time and no set up and or configuration. These units quickly turn ordinary RG59 coax cable into a high speed network communication and PoE pathway for distances up to 500 meters or 1640 feet.

The **ET1500C** is transparent to the network thus requiring no IP and MAC addressing. Simply connect your network devices to the networking ports of the transmitter and receiver along with existing cabling and the system begins communicating. LED indicators show the status of network communication and PoE power. The **ET1500C** requires no network settings to be changed or adjusted.

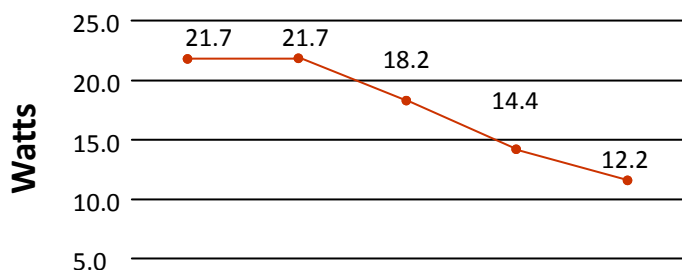
The NITEK **EtherStretch ET1500C** extends network communications to overcome cable distance limitations offering connections to devices in locations traditional networking does not allow. The ET1500C is ideal for retrofitting existing installations. The unit is constructed of industrial grade RoHS compliant plated aluminum which is finished with a corrosion resistant finish making it very durable.



Features

- Environmentally hardened – meets NEMA TS-1/TS-2
- Supports 10/100 and PoE over RG59 cables up to distances of 500 meters (1640 feet)
- Fully transparent to the network
- Supports any network device, including mega-pixel technology IP cameras
- Easy to install, no set up required
- Lifetime Warranty
- LED indicators for network signals, link status and power
- Optional power supply can insert PoE power for non-PoE switches
- Surge protected inputs
- Ground loop isolation
- Made in the U.S.A.

Available PoE Wattage At PoE Device



100 Meters 328 Feet	200 Meters 656 Feet	300 Meters 984 Feet	400 Meters 1,312 Feet	500 Meters 1,640 Feet
21.7 Watts	21.7 Watts	18.2 Watts	14.4 Watts	12.2 Watts

* Results charted were calculated using RG59U coaxial cable with a 20AWG center conductor.

Patent Pending



IEC/UL 60950-1



USA

5410 Newport Drive, # 24
Rolling Meadows, IL 60008
Phone: (847) 259-8900
Fax: (847) 259-1300
E-mail: info@nitek.net
WWW.NITEK.NET

EUROPE

De Aar 99
8253 PN Dronten
The Netherlands
Tel: +31(0) 321 310 043
E-mail: info@nitekeurope.net
WWW.NITEK.NET

TECHNICAL SPECIFICATION

Network Transmission Device

Network Port	RJ45 Connector
Link Port	BNC Coax Jack
Ethernet	100BASE-TX Full Duplex
Max Operating Distance	1,640ft /500m
Rating/Listing	
UL	IEC/UL 60950-1
NEMA TS-2	Temperature & Humidity NEMA 2.2.7
	Mechanical Vibration NEMA 2.2.8
	Mechanical Shock NEMA 2.2.9
	Operating Voltage NEMA 2.1.2
	Operating Frequency NEMA 2.1.3
	Transient Test NEMA 2.1.6 thru 2.1.8
Operating Temperature	-40° to 75° C / -40° to 167° F
Humidity	Up to 95% non-condensing
Dimensions	1.2" x 1.7" x 5.0" including tabs & BNC
Mounting	Two 3/8 inch mounting slots
Shipping Weight	2 lbs

Common Installation Type

