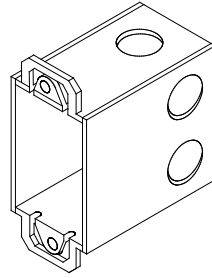


## (B) Single-Gang, Flush (B0)

Used with Series MIZ, RSS

See Notes 1 & 8

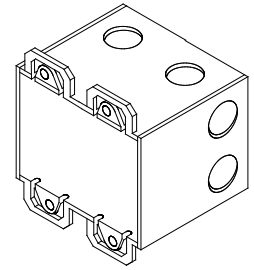


### Maximum Number of Conductors

AWG. #18	AWG. #16	AWG. #14	AWG. #12
4	4	4	4

## (F) Double-Gang, Flush (B0)

See Note 4

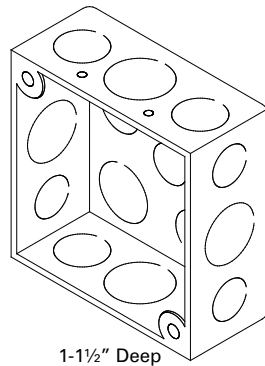


### Maximum Number of Conductors

AWG. #18	AWG. #16	AWG. #14	AWG. #12
4	4	4	4

## (D) 4" Square, Flush (B0)

See Note 2



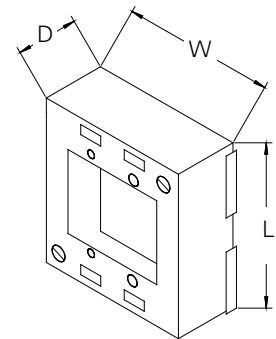
### Maximum Number of Conductors

AWG. #18	AWG. #16	AWG. #14	AWG. #12
4	4	4	4

## (G) Double-Gang, Surface (B0)

Used with Series RSS

See Note 5



Length	Width	Depth	Gang #
4-3/4"	4-3/4"	1-3/4"	2

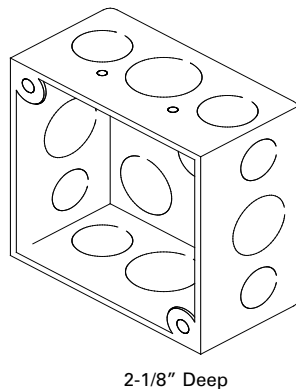
### Maximum Number of Conductors

AWG. #18	AWG. #16	AWG. #14	AWG. #12
4	4	4	4

## (E) 4" Square, Deep, Flush (B0)

Used with Series 31T, 43T, AMT, ET-1010, HS4, HS, MB, MT, MT4, RSS, RSSP

See Note 3

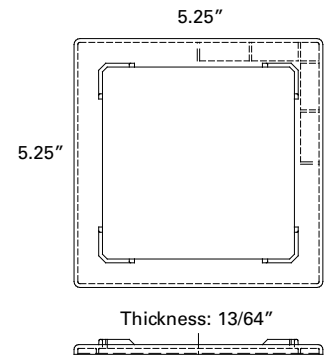


### Maximum Number of Conductors

AWG. #18	AWG. #16	AWG. #14	AWG. #12
8	8	8	8

## (H) NATP (Order Codes: Red 8440, White 8441)

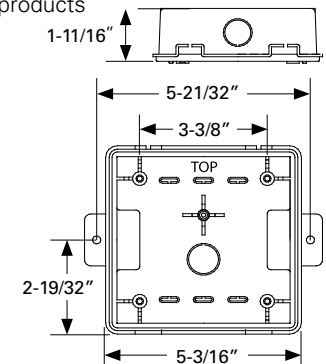
Used with Series RSS



## (I) WPBB (Order Code: 9014)

For surface mounting AS outdoor products

Used with Series ASWP Weatherproof



### Maximum Number of Conductors

AWG. #18	AWG. #16	AWG. #14	AWG. #12
8	8	8	8

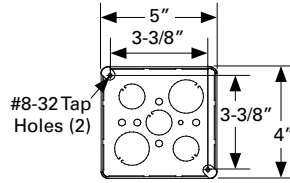
# Mounting Accessories

## (J) BB Backbox (Order Codes: Red 2830, Gray 2349)

Standard steel backbox with knockouts for interior surface mounting, concealed conduit mounting or semi-flush applications. It is painted to match the signal.

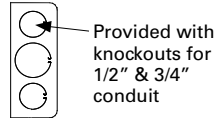
Used with Series 31T, 43T, AH, MB, MT4, RSS

See Note 9



### Maximum Number of Conductors

AWG. #18	AWG. #16	AWG. #14	AWG. #12
4	4	4	4



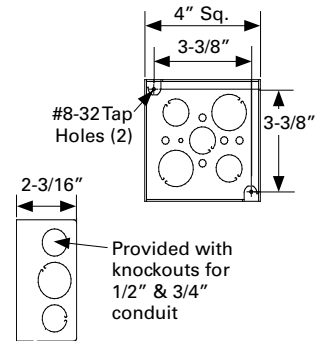
## (N) DBB Backbox (Order Code: 2955)

Standard steel backbox provided with knockouts for interior surface mounting, concealed conduit mounting or semi-flush applications. It is painted to match the signal.

Used with Series 31T, 43T, AMT, ET-1010, HS4, HS, MB, MT, MT4, RSS

### Maximum Number of Conductors

AWG. #18	AWG. #16	AWG. #14	AWG. #12
8	8	8	8

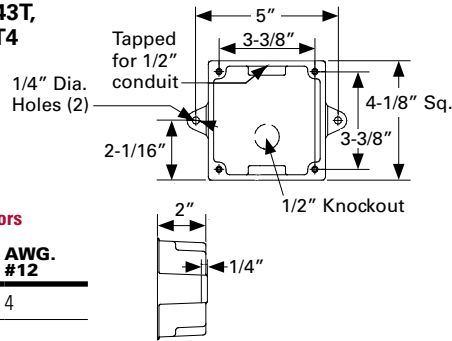


## (K) WBB Weather Resistant Backbox (Order Codes: Red 2959, White 2411)

Sturdy die-cast housing, threaded conduit hole and knockout for outdoor applications. It is painted to match the signal.

Used with Series 31T, 43T, AHWP, ET-1010, MB, MT4

See Note 2

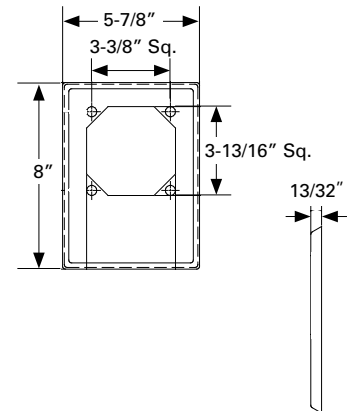


### Maximum Number of Conductors

AWG. #18	AWG. #16	AWG. #14	AWG. #12
4	4	4	4

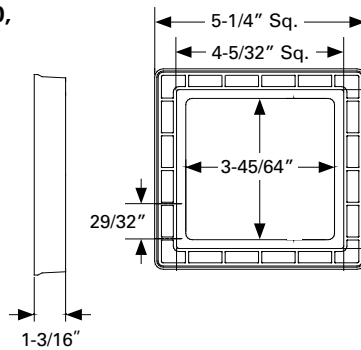
## (O) RP-R Retrofit Plate (Order Code: 5042)

Used with Series 31T, 43T, AMT, CH70, E70, ET70, ET-1010, ET-1080, HS4, HS, MB, MT, MT4, RSS



## (L) ISP2 Surface Adapter (Order Code: Red 3194, White 3195)

Used with Series AMT, CH70, E70, ET70, HS4, HS, MT

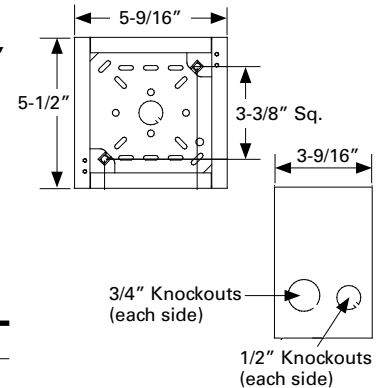


## (P) SBB Backbox (Order Codes: Red 3204, White 3193)

For surface mounting speakers, chimes, and electronic applications

Used with Series 43T, AMT, CH70, E70, ET70, ET-1080, HS4, HS, MB, MT, RSS

See Note 11



### Maximum Number of Conductors

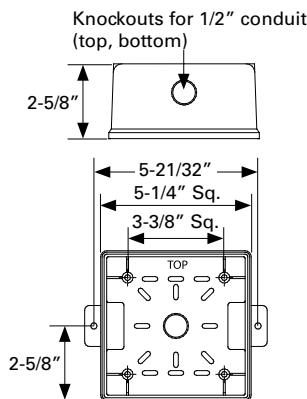
AWG. #18	AWG. #16	AWG. #14	AWG. #12
8	8	8	8

## (M) IOB Backbox (Order Codes: Red 5046, White 5047)

For surface mounting MT products

Used with Series AMT, ET70WP, HS4, HS, MT, MTWP

See Note 10



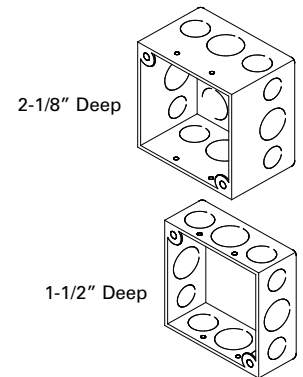
### Maximum Number of Conductors

AWG. #18	AWG. #16	AWG. #14	AWG. #12
8	8	8	8

## (Q) 4" Square Deep w/ Extension Ring, Flush (B0)

Used with Series CH70, CH90, E70, ET70, E90, ET90, ET-1080

See Note 6

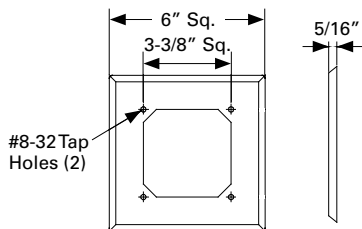


Exterior Ring Depth	1-1/2"	2-1/8"
AWG. #18	8	8
AWG. #16	8	8
AWG. #14	8	8
AWG. #12	4	8

**(R) SFP Semi-Flush Plate (Order Codes: Red 2957, White 2958)**

Stamped aluminum surface wall plate which mounts behind the basic unit and serves to cover recessed backboxes in semi-flush mounting applications. It is painted to match the signal.

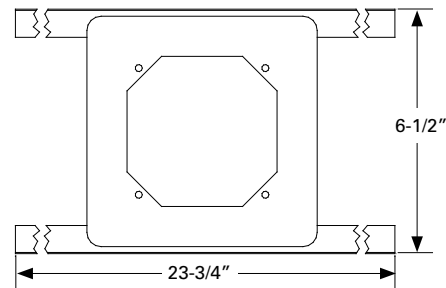
**Used with Series 31T, 43T, AMT, CH70, E70, ET70, ET-1010, ET-1080, HS4, HS, MB, MT, MT4, RSS**



**(V) SSB-4 Ceiling Support Bridge (Order Code: 3380)**

Provisions for (4) J-nuts #8-32 ib 3-3/8" square. Material: Steel

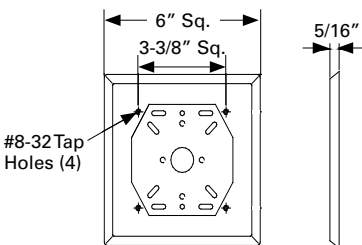
**Used with Series CH70, CH90, E70, ET70, E90, ET90, ET-1080**



**(S) AP Adapter Plate (Order Code: 2961)**

Stamped aluminum adapter plate designed for applications where semi-flush installations cannot be used. The plate can be mounted to standard octagon or round backboxes single or double gang boxes or plaster rings. The backbox and basic unit are then fastened to the plate. This type mounting is referred to as a concealed conduit installation. It is painted to match the signal.

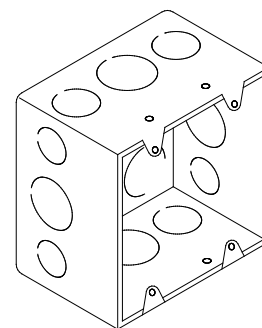
**Used with Series 43T, MB**



**(W) 4-11/16" Square, Deep Surface (B0)**

**Used with Series DSM**

See Note 7

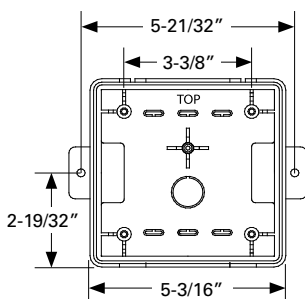
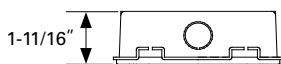


**Maximum Number of Conductors**

AWG. #18	AWG. #16	AWG. #14	AWG. #12
10	10	10	10

**(T) WPSBB-R (Order Codes: Red 9751, White 3033)**

**Used with Series RSSWP Weatherproof**

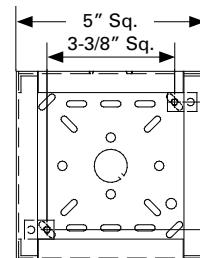
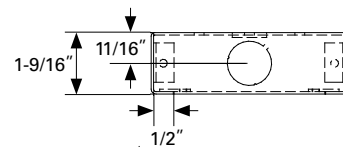


**Maximum Number of Conductors**

AWG. #18	AWG. #16	AWG. #14	AWG. #12
8	8	8	8

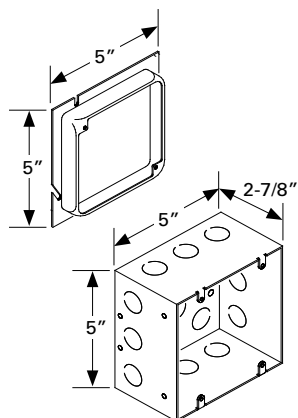
**(X) SHBB Square, Surface Backbox (Order Codes: Red 7254, White 7255)**

**Used with Series 43T, MB, RSS**



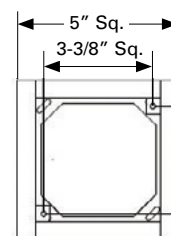
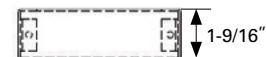
**(U) 5" Square Backbox w/ Extension Ring, Flush (B0)**

**Used with Series CH70, CH90, E70, ET70, E90, ET90, ET-1080**



**(Y) SER-R Square Semi-Flush Extension Ring (Order Codes: Red 3045, White 3049)**

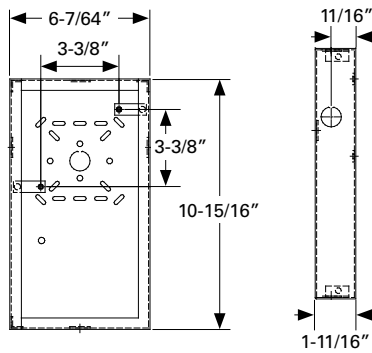
**Used with Series CH70, E70, ET70**



# Mounting Accessories

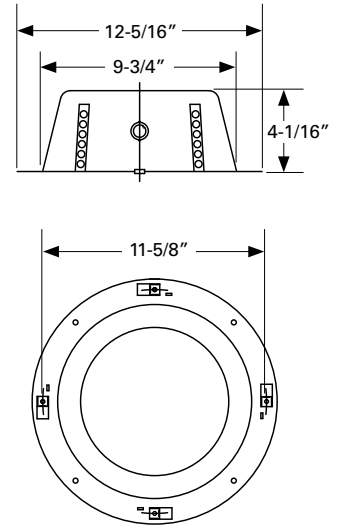
**(Z) SBL-2 Backbox (Order Codes: Red 6988, White 6989)**

Used with Series RSSP



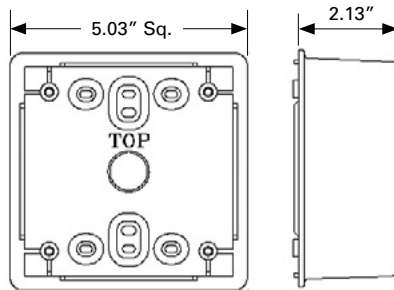
**(DD) CBB-8 8" Ceiling Speaker Backbox (Order Code: 3314)**

Used with Series S8" Ceiling Speakers

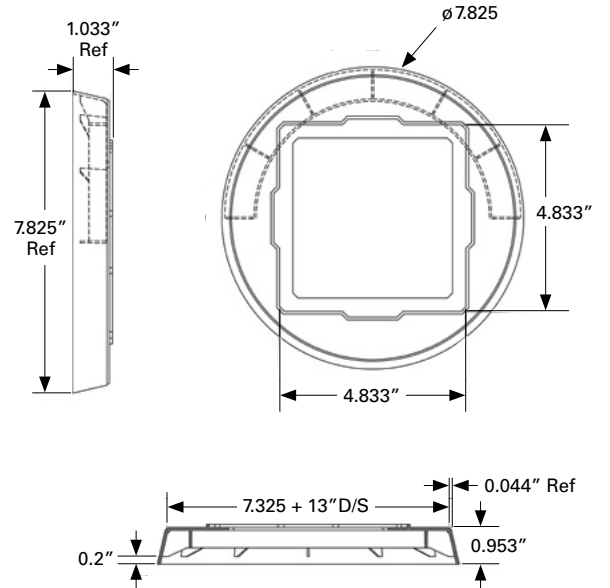


**(AA) E50SB-R (Order Codes: Red 0230, White 0231)**

Used with Series E50

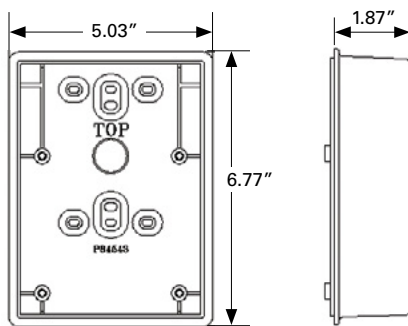


**(EE) E60 Extension Ring (Order Code: Red 3758, White 3757)**



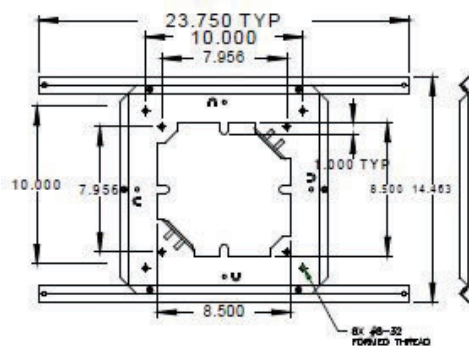
**(BB) E50SSB-R (Order Codes: Red 0232, White 0233)**

Used with Series E50

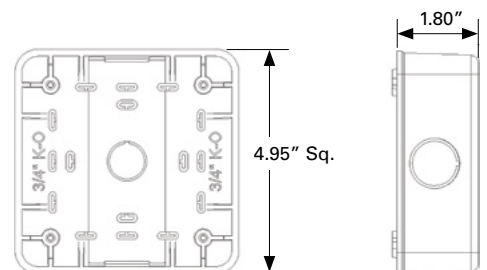


**(CC) SSB-8 8" Ceiling Support Bridge (Order Code: 3573)**

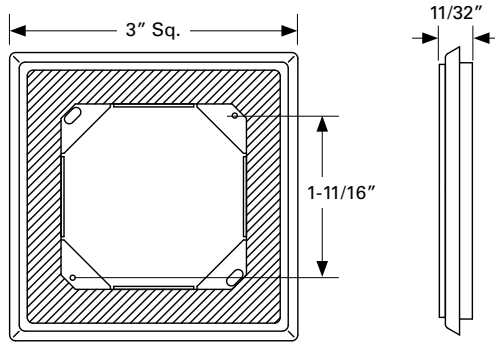
Used with Series S 8" Ceiling Speakers



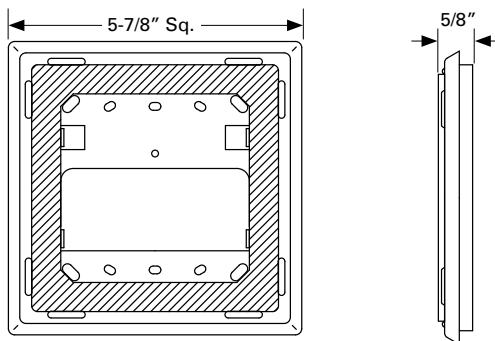
**(FF) ZBB (Order Codes: Red 6036, White 6045)**



**(GG) WFP Plate (Order Codes: Red 4696, White 4697)**



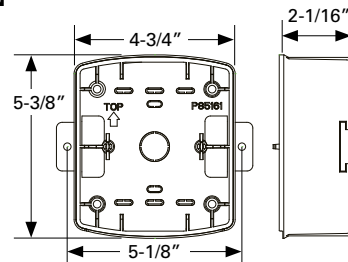
**(HH) WFPA Plate (Order Codes: Red 4696, White 4697)**



**(II) ESB Backbox (Order Codes: Red 2749, White 2750)**

For indoor surface mounting of Exceder products

Used with Exceder ST, HS, HN



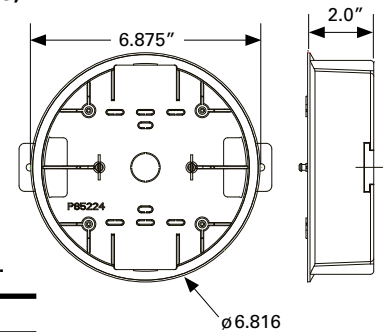
**Maximum Number of Conductors**

AWG. #18	AWG. #16	AWG. #14	AWG. #12
4	4	4	4

**(JJ) ESBC Backbox (Order Codes: Red 2751, White 2752)**

For indoor surface mounting of Exceder products

Used with Exceder STC, HSC, HNC



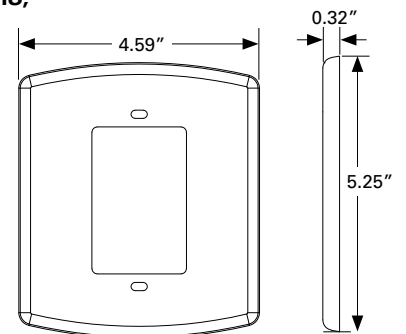
**Maximum Number of Conductors**

AWG. #18	AWG. #16	AWG. #14	AWG. #12
4	4	4	4

**(KK) ESB-KIT (Order Codes: Red 0533, White 0534)**

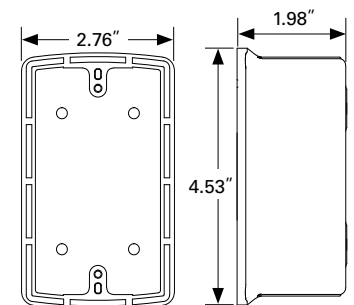
Trim Plate Kit for Exceder LED

Used with Exceder LST, LHS, LHN



**(LL) LSBB Backbox (Order Codes: Red 2402, White 2403)**

Used with Exceder LST, LHS, LHN



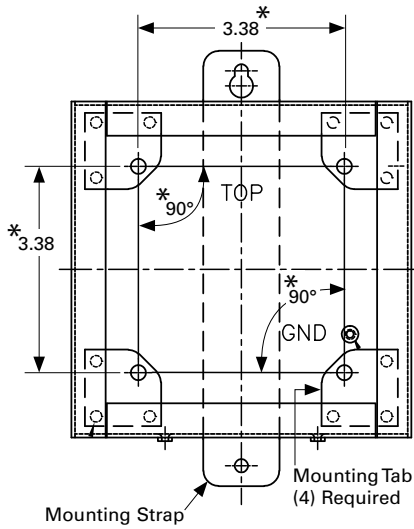
**Maximum Number of Conductors**

AWG. #18	AWG. #16	AWG. #14	AWG. #12
4	4	4	4

# Mounting Accessories

## (MM) OSB

Used with ET1080

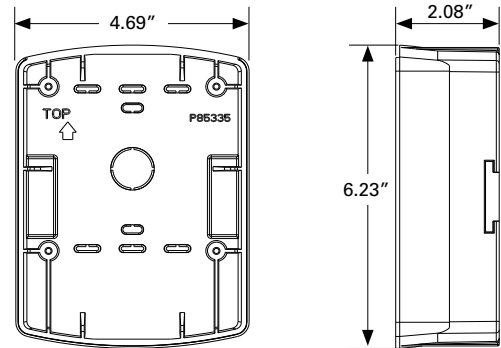


\*Refer to specification sheet S7000 for mounting option details.

## (NN) LSPKBB Backbox (Order Codes: Red 0756, White 0757)

For indoor surface mounting of Exceder LED Speaker products

Used with Exceder LSPK, LSPST

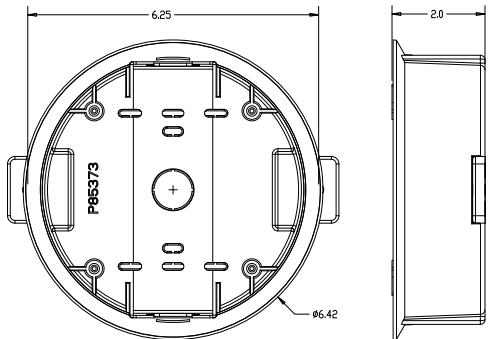


### Maximum Number of Conductors

AWG. #18	AWG. #16	AWG. #14	AWG. #12
4	4	4	4

## (OO) LSPKBB-C Backbox (Order Codes: Red 0927, White 1003)

Used with Exceder LED Ceiling LSTC, LHSC, LHNC, LSPKC, LSPSTC



### Maximum Number of Conductors

AWG. #18	AWG. #16	AWG. #14	AWG. #12
4	4	4	4

- Figure B is typical of a Steel City LXM-WOW box or equal. Figure B should be a 3.5" deep backbox for conduit installations and is typical of a Steel City CY-1/2 box or equal.
- Figure D is typical of a Steel City 52151 box or equal.
- Figure E is typical of a Steel City 52171 box or equal.
- Figure F is typical of two Steel City LXM-WOW boxes or equal.
- Figure G is typical of a Wiremold 5748-2 box or equal.
- Figure Q is typical of a Steel City 52171 box with a Steel City 53151 extension ring or equal.
- Figure W is typical of a Steel City 72171-1 box or equal.
- Use 3.5" deep backbox on all MIZ products when EMT conduit is used.
- When used with AC Horn (J), "BB" must be used for surface mount.
- HS4, HS, MT or MTWP Strobe are for outdoor mounting.
- Use with Series RSSP.
- Figure U is typical of a RANDL Industries backbox. ("Total Number of conductors shall be in accordance with NEC table 314.16 (B)").

Mounting Matrix

	Series E90/ET90	Series RSS/RSSR	Series RSSP	Series 31T	Series E50	Series 43T Bells	Series CH	Series ET80	Series ET1010	Series MB Motor Bells	Series E70/ET70	Series E60	Series MIZ/MIZ-TC	Series MT	Series HS4/HS	Series SM/D SM	Series AMT	Series RSSWP(1), ASWP(2), AHW(3), MTWP(4), MT-12/24(4), ET70WP(4)	Series S8	Series Exceder - STC, HSC, HNC	Series Exceder - ST, HS, HN	Series Exceder LED - LST, LHS, LHN	Series Exceder LED - LSPK, LSPST	Series Exceder LED - LSTC, LHSC, LHNC, LSPKC, LSPSTC			
(A) Universal Mounting Plate																											
(B) 1-GANG x 2" Deep - Flush (BO) Note 1 & 8		X										X															
(D) 4" x 4" x 1.5" Deep - Flush (BO) Note 2		X	X	X		X				X																	
(E) 4" x 4" x 2.125 Deep - Flush (BO) Note 3		X	X	X	X	X		X		X				X	X		X										
(F) 2-Gang x 3.5" Deep - Flush (BO) Note 4 & 8		X												X	X		X										
(G) 2-Gang x 1.75" Deep - Surface (BO) Note 5		X																									
(H) NATP Trim Plate		X																									
(I) WPBB-R Weatherproof Backbox for ASWP																								2			
(J) BB Surface (WSI) Note 9		X		X		X				X																	
(K) WBB Weatherproof (WSI)				X		X			X	X														3			
(L) ISP Adapter (WSI) for Square Products							X	X						X	X		X										
(M) IOB Surface & Weatherproof (WSI) Note 10											X			X	X		X							4			
(N) DBB Surface (WSI)		X		X		X			X	X				X	X		X										
(O) RP-R Retrofit Plate		X		X		X	X	X		X				X	X		X										
(P) SBB Surface (WSI) Note 11		X	X			X	X	X		X	X			X	X		X										
(Q) 4" x 4" x 2.125" Box w/ 1.5" Extension Ring - Flush (BO) Note 6		X		X			X	X			X	X															
(R) SPT Semi-Flush Plate (WSI)		X		X		X	X	X		X	X			X	X		X										
(S) AP Adapter Plate (WSI)						X			X	X	X																
(T) WPSBB-R Weatherproof Backbox for RSSWP																								1			
(U) 5" Square Backbox w/ Extension Ring, Flush (BO)		X					X	X				X															
(V) SSB-4 Ceiling (WSI) Support Bridge		X					X	X			X	X															
(W) 4.6875" x 4.6785" x 2.125" Deep Surface (BO)																X											
(X) SHBB (WSI) Shallow Surface		X				X				X																	
(Y) SER Semi-Flush Extension Ring (Retrofit Appl.)		X					X				X																
(Z) SBL-2 Surface (WSI) Note 11		X	X	X		X	X	X		X																	
(AA) E50SB Backbox for E50 Speaker						X																					
(BB) E50SSB Backbox for E50 Speaker Strobe						X																					
(CC) SSB-8 8" Speaker Support Tile Bridge																								X			
(DD) CBB-8 8" Ceiling Speaker Backbox																								X			
(EE) E60 Extension Ring												X															
(FF) ZBB																											
(II) ESB Backbox																								X			
(JJ) ESBC Backbox																								X			
(LL) LSBB Backbox																								X			
(NN) LSPKBB Backbox																								X			
(OO) LSPKBB-C Backbox																								X			
<b>Data Sheet Number(s)</b>	<b>S0310</b>	<b>S1610</b>	<b>S0410</b>	<b>S9008</b>	<b>S0410</b>	<b>S0500</b>	<b>S0510</b>	<b>S0600</b>	<b>S0710</b>	<b>S0800</b>	<b>S0800</b>	<b>S1500</b>	<b>S0310</b>	<b>S1610</b>	<b>S1611</b>	<b>S1700</b>	<b>S2000</b>	<b>S2400</b>	<b>S3000</b>	<b>S4000</b>	<b>S9004</b>	<b>S1100</b>	<b>Exceder</b>	<b>Exceder</b>	<b>Exceder LED</b>	<b>Exceder LED Speaker</b>	<b>Exceder LED Ceiling</b>

**Mounting Notes**

▲ Caution: The mounting options figures show the maximum number of field wires (conductors) that can enter the backbox used with each mounting option. If these limits are exceeded, there may be insufficient space in the backbox to accommodate the field wires and stresses from the wires could damage the product. Although the limits shown for each mounting option comply with the National Electrical code (NEC), Wheelock recommends use of the largest backbox option and the use of approved stranded field wires whenever possible, to provide additional wiring room for easy installation and minimum stress on the product from wiring.

▲ Caution: Check that the installed product will have sufficient clearance and wiring room prior to installing backboxes and conduit, especially if sheathed multiconductor cable or 3/4" conduit fittings are used.

1. Mounting hardware for each mounting option is supplied.
2. Conduit entrances to the backbox should be selected to provide sufficient wiring clearance for the installed product. When extension rings are required, conduit should enter through the backbox, not the extension ring. Use Steel City #53151 (1-1/2" deep) or #53171 (2-1/8" deep) extension rings (as noted in the mounting options) or equal with the same cut-out area.
3. When terminating field wires, do not use more lead length than required. Excess lead length could result in insufficient wiring space for the appliance.
4. Use care and proper techniques to position the field wires in the backbox so that they use minimum space and produce minimum stress on the product. This is especially important for stiff, heavy gauge wires and wires with thick insulation or sheathing.
5. Do not pass additional wires (used for other than the appliance) through the backbox "unless the backbox is of a sufficient size to permit additional wiring as described in NEC 314.16 (B)". Such additional wires could result in insufficient wiring space for the appliance.

**Note:** Due to continuous development of our products, specifications and offerings are subject to change without notice in accordance with Wheelock Inc. standard terms and conditions.

## Backbox Mounting Heights for Wheelock Wall-Mounted Horizontal Strobe Appliances

NFPA-72 (2002)

7.5.4\* Appliance Location. Wall-mounted appliances shall be mounted such that the entire lens is not less than 2.0 m (80 in.) and not greater than 2.4 m (96 in.) above the finished floor.

Backbox Mounting Options*	RSSP Flush Surface Retrofit		Exceder ST, HS, HN		RSS Strobe		MT and AMT Multitone Strobe		Exceder LED - LST, LHS, LHN		Exceder LED Speakers - LSPK, LSPST	
	80 In.	80 In.	6 In.	80 In.	6 In.	80 In.	6 In.	80 In.	6 In.	80 In.	6 In.	
(B) 1-Gang x 2" Deep - Flush (BO)		80 3/4	5 1/4	79 1/8	6 7/8				79	7		
(D) 4" x 4" x 1.5" Deep - Flush (BO)	83 15/16	80 1/4	5 3/4	78 5/8	7 3/8	77 1/8	8 1/8				80 1/4	5 3/4
(E) 4" x 4" x 2.125" Deep - Flush (BO)	83 15/16	80 1/4	5 3/4	78 5/8	7 3/8	77 7/8	8 1/8				80 1/4	5 3/4
(F) 2-Gang x 3.5" Deep - Flush (BO)		80 3/4	5 3/4	79 1/8	6 7/8	78 3/8	7 5/8					
(G) 2-Gang x 1.75" Deep - Surface (BO)		79 7/8	6 1/8	78 1/4	7 3/4	77 1/2	8 1/2					
(M) IOB Surface & Weatherproof (WSI)						77 1/4	8 3/4					
(P) SBB Surface (WSI)						77 1/8	8 7/8					
(Q) 4" x 4" x 2.125" Box w/ 1.5" Extension Ring - Flush (BO)	83 15/16	80 1/4	5 3/4	78 5/8	7 3/8	77 7/8	8 1/8	78 1/8	7 1/2			
(U) 5" Square Backbox w/ Extension Ring, Flush (BO)	83 7/16			78 1/8	7 7/8	77 3/8	8 5/8					
(X) SHBB (WSI) Shallow Surface				78 1/8	7 7/8							
(Y) 4" x 4" x 1.5" Box w/ 1.5" Extension Ring Plate (BO)												
(Z) SBL-2 Surface (WSI)	80 1/2											
(II) ESB Backbox 5.375" x 4.75" x 2.0625"		79 9/16	6 7/16									
(LL) LSBB Backbox 4.53" x 2.76" x 1.98"								78 3/4	7 1/4			
(NN) LSPKBB Backbox 6.23" x 4.69" x 2.08"											78 1/2	7 1/2

Backbox Mounting Options*	Series CH70 Chime Strobe		Series ET80 Speaker Strobe		Series E70 Speaker Strobe		Series ET70 Speaker Strobe		Series SA-70S Self Amplified Speaker Strobe	
	80 In.	6 In.	80 In.	6 In.	80 In.	6 In.	80 In.	6 In.	80 In.	6 In.
(P) SBB Surface (WSI)	77 3/4	8 1/4	79 3/16	6 13/16	77 3/4	8 1/4	77 3/4	8 1/4	79 3/16	6 13/16
(Q) 4" x 4" x 2.125" Box w/ 1.5" Extension Ring - Flush (BO)	77 1/2	7 1/2	80	6	78 1/2	7 1/2	78 1/2	7 1/2	80	6
(U) 5" Square Backbox w/ Extension Ring - Flush (BO)	78	7	79 1/2	5 1/2	78	7	78	7	79 1/2	5 1/2
(X) SHBB (WSI) Shallow Surface										
(Y) 4" x 4" x 1.5" Box w/ 1.5" Extension Ring Plate - Flush (BO)	78 1/2	7 1/2	80	6						

\* Measured from bottom of backbox (inches)

**Note:** (BO) = By Others; (WSI) = Wheelock Product

**Eaton**  
 1000 Eaton Boulevard  
 Cleveland, OH 44122  
 United States  
 Eaton.com

Cooper Notification  
 273 Branchport Ave.  
 Long Branch, NJ 07740  
 CooperNotification.com

© 2014 Eaton  
 All Rights Reserved  
 Printed in USA  
 Publication No. TD001008EN  
 July 2014

Eaton is a registered trademark.  
 All other trademarks are property of their respective owners.

