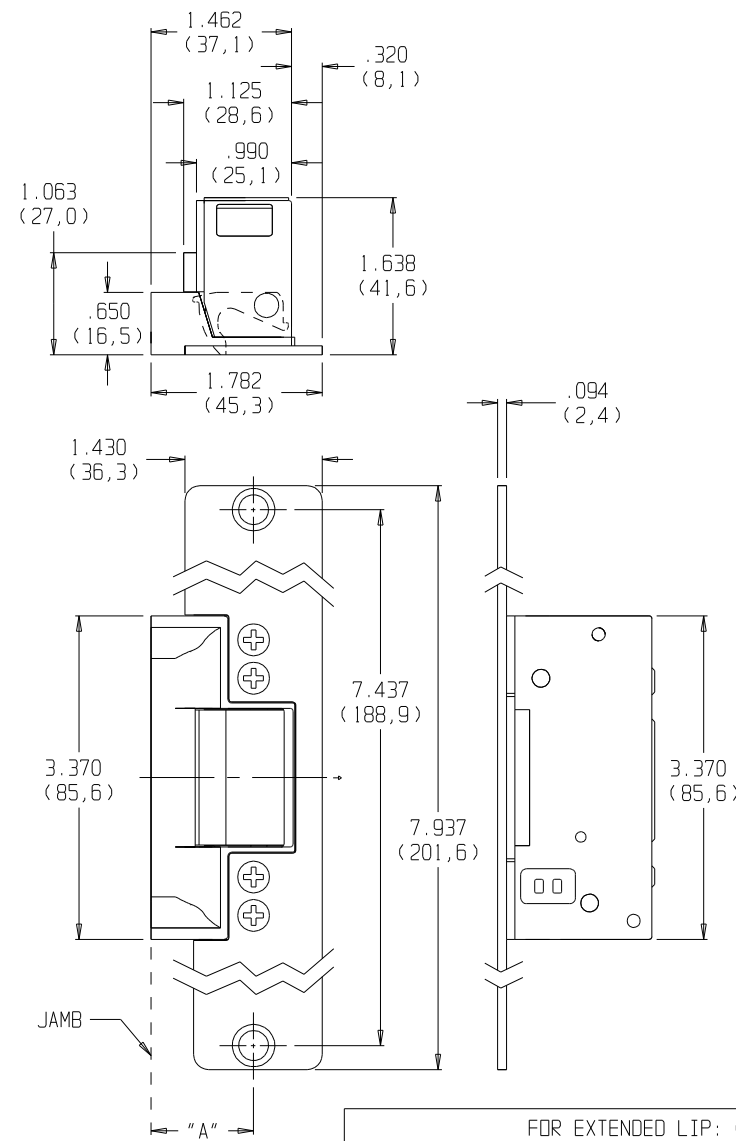


INSTALLATION INSTRUCTIONS

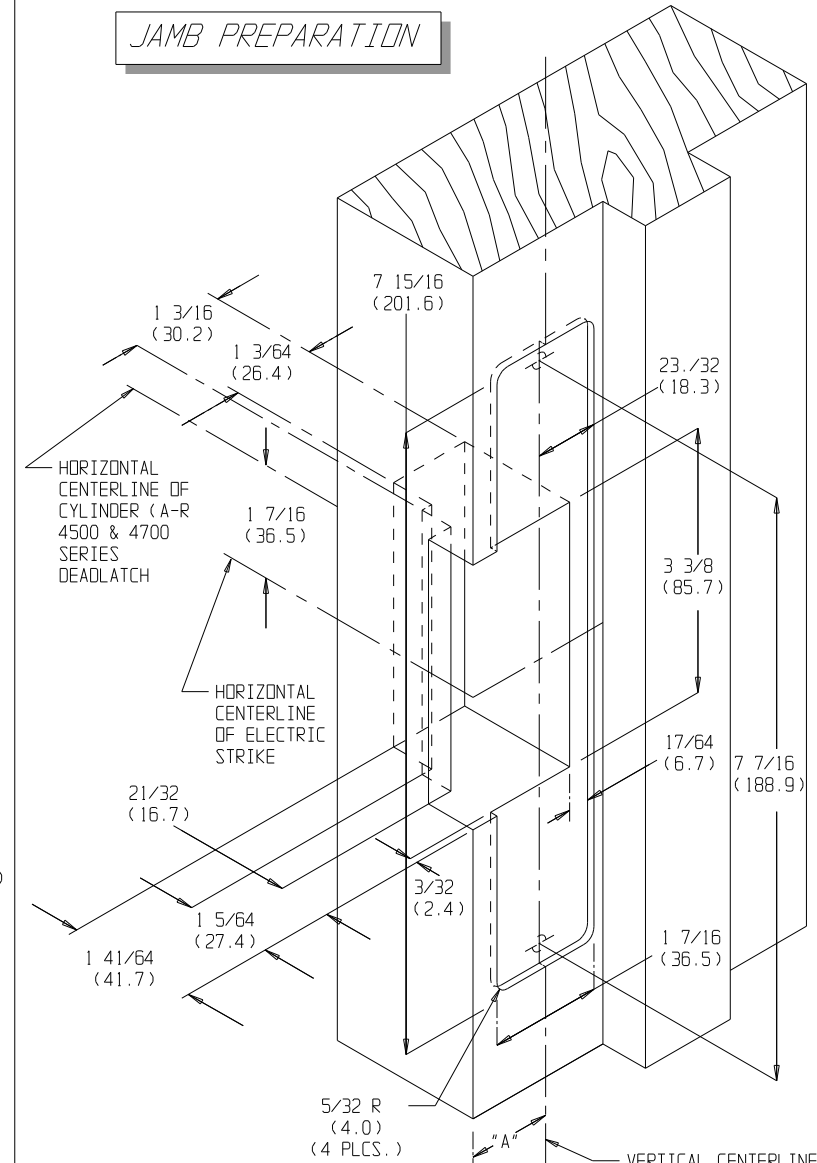
1. PREPARE DOOR JAMB PER DRAWING.
2. ATTACH SUBCOVER AND FACE PLATE TO THE CASE ASSEMBLY USING FOUR 8-32 X 1/4 SCREWS.
3. USING WIRE NUTS PROVIDED, CONNECT WIRES FROM SOLENOID TO THE WIRES COMING FROM THE LOW VOLTAGE SIDE OF THE TRANSFORMER.
4. INSERT ELECTRIC STRIKE INTO JAMB. ATTACH WITH TWO #12 COMBINATION SCREWS.

| | | |
|------------------------------|---|-----------------------------|
| STATIC STRENGTH 1500 lbs. | DYNAMIC STRENGTH 70-foot-pound-force | ENDURANCE 250,000 cycles |
|------------------------------|---|-----------------------------|

ELECTRIC STRIKE DIMENSIONS



JAMB PREPARATION



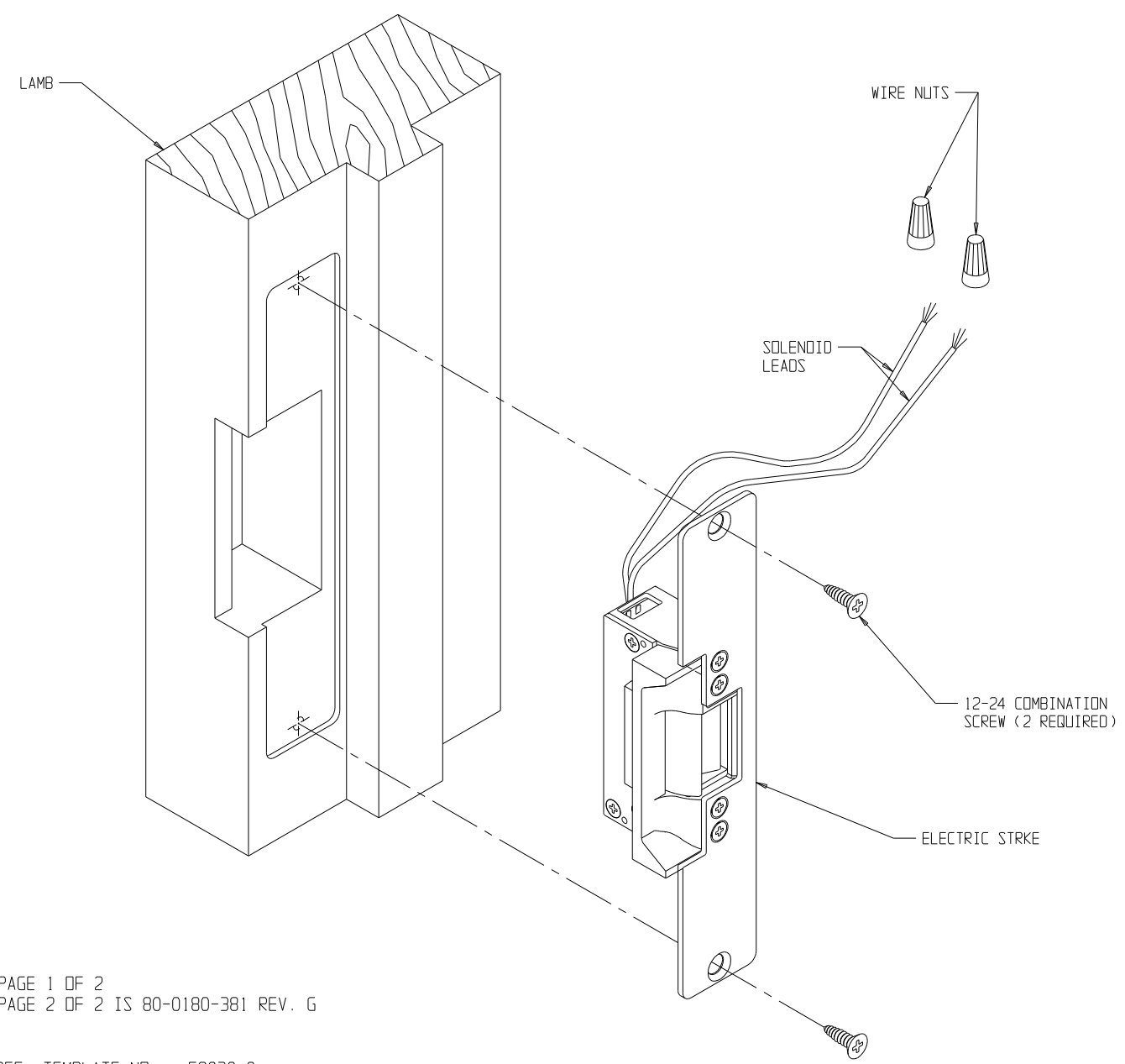
FOR EXTENDED LIP: (DIM "A" DOOR + TO JAMB EDGE)

| DASH NO. | DIM "A" | DASH NO. | DIM "A" | DASH NO. | DIM "A" |
|----------|---------|----------|---------|----------|---------|
| NONE | 1.06 | -05 | 2.00 | -10 | 2.63 |
| -01 | 1.50 | -06 | 2.13 | -11 | 2.75 |
| -02 | 1.63 | -07 | 2.25 | -12 | 2.88 |
| -03 | 1.75 | -08 | 2.38 | -13 | 3.00 |
| -04 | 1.88 | -09 | 2.50 | | |

NOTE: WHEN DOOR SILENCERS ARE USED ON FRAME, ADJUST STRIKE LOCATION TO ENSURE COMMON LATCH AND STRIKE CENTERLINES.

STANDARD UNIT FITS DIM. "A" UP TO 1 1/16" (SEE DASH NO.)

PRODUCT MUST BE INSTALLED ACCORDING TO ALL APPLICABLE BUILDING AND LIFE SAFETY CODES



PAGE 1 OF 2
PAGE 2 OF 2 IS 80-0180-381 REV. G

REF. TEMPLATE NO. : 52030-0

Adams Rite
ASSA ABLOY

www.adamsrite.com
Phone: 800-626-7590
800-872-3267
Fax: 866-582-4641
800-232-7329

80-0180-357
Rev. G

Notes:

Fail-Secure Operation - Unlocks when energized. If power fails the strike remains in a locked condition.

Fail-Safe Operation - Locks when energized. Used in applications requiring automatic unlocking in case of power failure.

Available Voltages: 12V AC Intermittent duty, 12V AC/DC Continuous duty, 16V AC Intermittent duty, 16V AC/DC Continuous duty, 24V AC Intermittent duty, 24V AC/DC Continuous duty.

Warning !

AC Intermittent duty solenoids are designed to be energized 30 seconds at a time. Energizing for longer periods will damage the solenoid.

AC Continuous duty strikes are supplied with a A/R # 4603 rectifier attached to the solenoid leads. These are silent operation strikes - without the "buzzing" sound. They use a DC solenoid with an externally attached, full-wave bridge rectifier.

Wiring

The number of wires will vary depending on features of the strike. The voltage and amperage ratings are marked on all strike labels. The solenoid wires are not polarized.

Monitoring (Optional)

Monitored strikes contain two, internally mounted, switches: one is activated by the latch bolt's penetration of the strike and the other indicates that the strike jaw is either locked or unlocked by the solenoid.

All unused leads from monitor switches should be insulated.

- Common contact -Black
- Normally open contact (NO) -White
- Normally closed contact (NC) -Red
- Maximum switching current -7 Amps @ 250 VAC

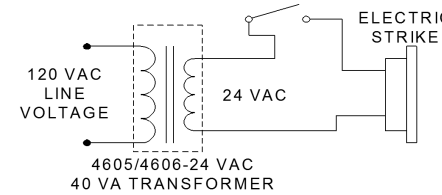
Warning !

Intermittent duty solenoids should not be converted to fail-safe configuration. Fail-safe units use only continuous duty solenoids.

Solenoid Data

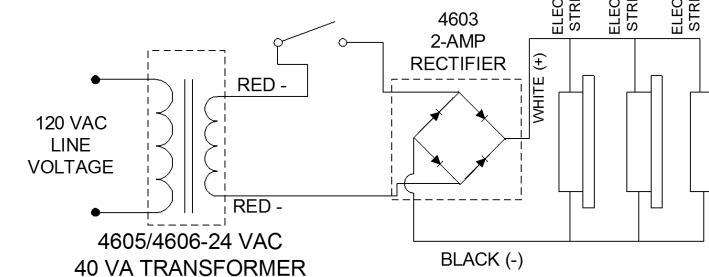
| | | | | | | |
|--------------|------------------------|----------------------------|-----------------------------------|-----------------------------------|----------------------------------|----------------------------------|
| 24 VDC CONT. | WHITE STRIPE ON BLACK | 141.6 | .170 | .170 | 4.09 | 4.09 |
| 16 VDC CONT. | GREEN STRIPE ON BLACK | 61.8 | .222 | .222 | 3.05 | 3.05 |
| 12 VDC CONT. | RED STRIPE ON BLACK | 34.6 | .332 | .332 | 3.81 | 3.81 |
| 24 VAC INT. | | | .744 | .431 | 19.15 | 6.43 |
| 16 VAC INT. | BLUE STRIPE ON BLACK | 16.3 | 1.030 | .636 | 17.30 | 6.60 |
| 12 VAC INT. | YELLOW STRIPE ON BLACK | 8.8 | 1.420 | .813 | 17.74 | 5.82 |
| DESCRIPTION | WIRE COLOR | COIL RESISTANCE (OHMS ±5%) | PEAK INSTANTANEOUS CURRENT (AMPS) | CONTINUOUS OR HOLD CURRENT (AMPS) | PEAK INSTANTANEOUS POWER (WATTS) | CONTINUOUS OR HOLD POWER (WATTS) |

Control Switch (N.O.)
(ex. Pushbutton, keypad, Card Reader)
DRY CONTACTS!



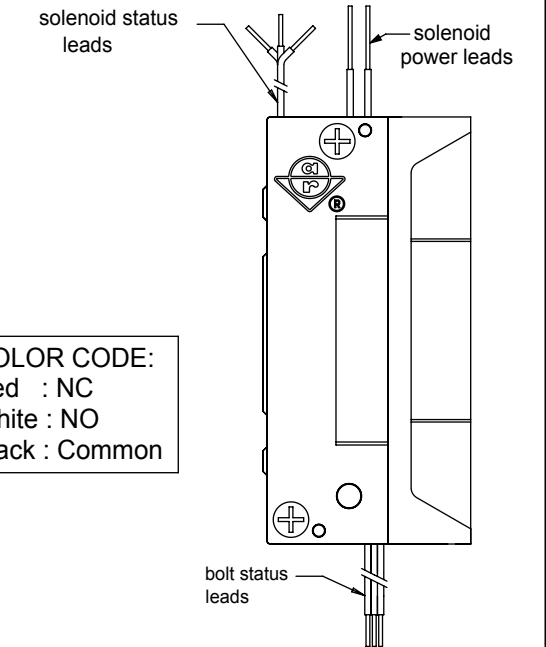
**TYPICAL ELECTRIC STRIKE WIRING DIAGRAM
INTERMITTENT DUTY FAIL-SECURE 24 VAC**

Control Switch (N.O.)
(ex. Pushbutton, keypad, Card Reader)
DRY CONTACTS!

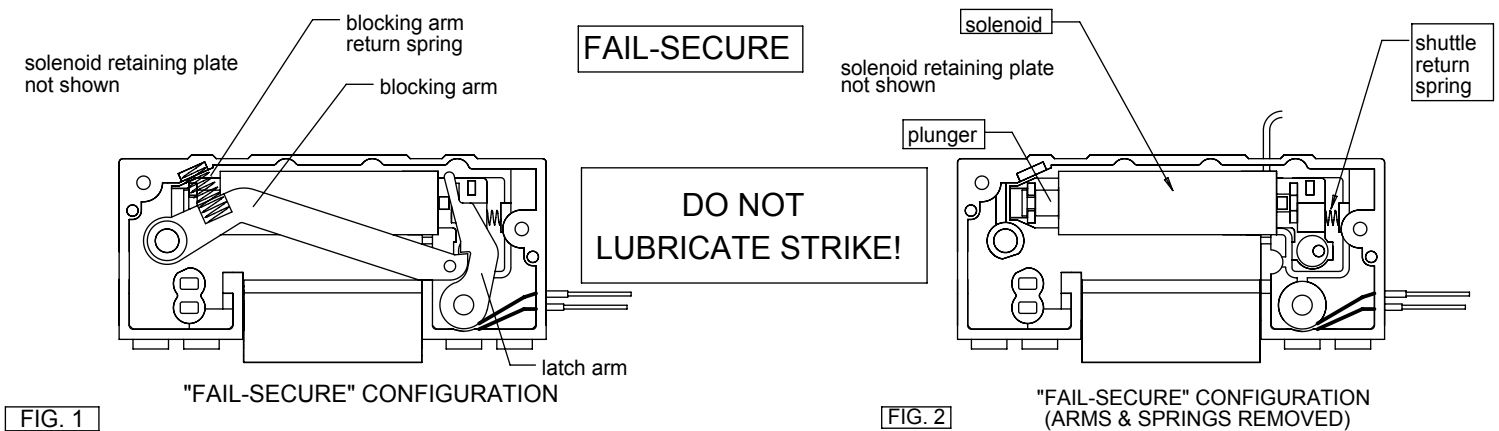


**TYPICAL ELECTRIC STRIKE WIRING DIAGRAM
INTERMITTENT/CONTINUOUS DUTY 24 VDC**

WIRE CODING (MONITORED VERSION)



FIELD REVERSIBLE (FAIL-SECURE)



FIELD REVERSIBLE (FAIL-SAFE)

