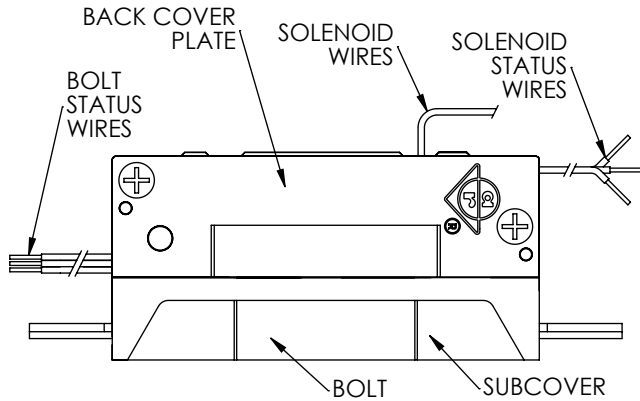
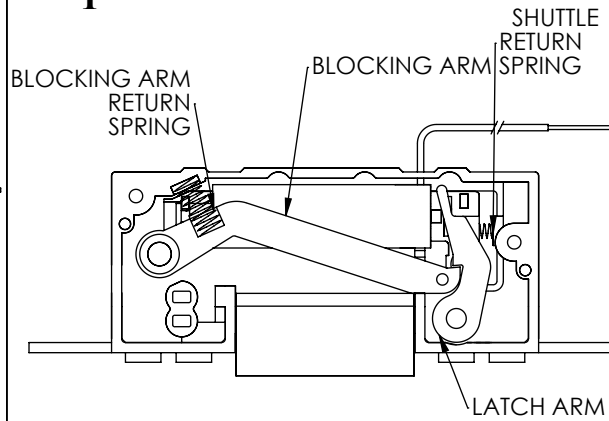


WIRE CODING FOR MONITORED VERSION



MONITOR WIRING	POWER INPUT WIRING
NC: RED	12VAC: YELLOW/BLACK
NO: WHITE	12VDC, 24VAC: RED/BLACK
COMMON: BLACK	24VDC: WHITE/BLACK

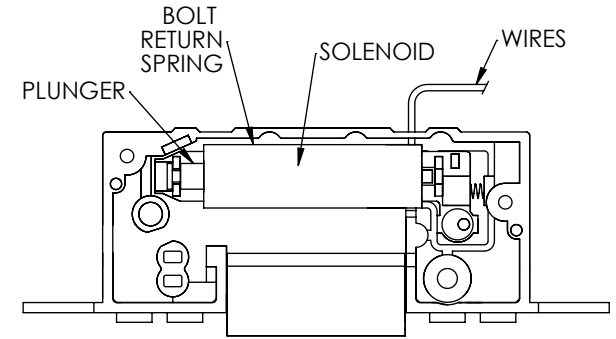
STEP 1



REMOVE SUBCOVER (ONE SCREW)
 REMOVE BACK COVER PLATE (TWO SCREWS)
 CAREFULLY REMOVE BLOCKING ARM SPRING
 REMOVE BLOCKING ARM AND LATCH ARM

STEP 2

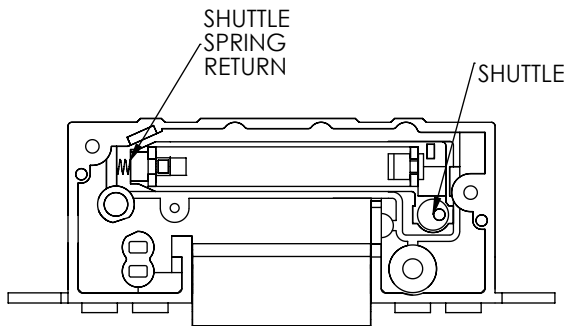
FAIL SECURE



REMOVE SOLENOID

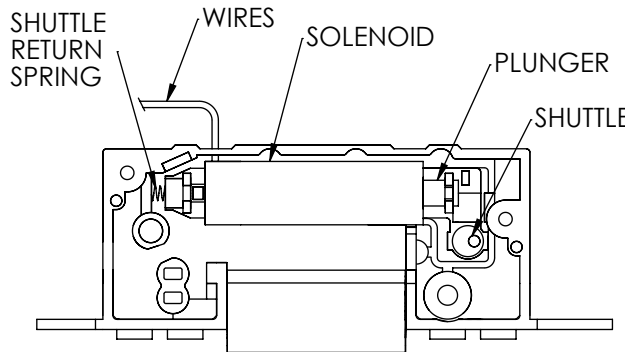
STEP 3

FAIL SAFE



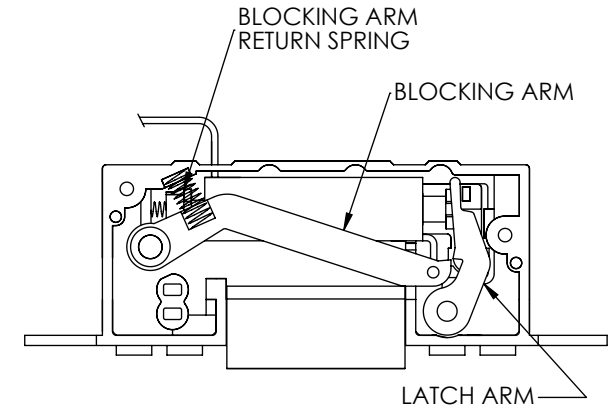
TRANSFER SHUTTLE RETURN SPRING TO OPPOSITE END OF SHUTTLE. NOTE: WHATEVER THE FUNCTION, THE SHUTTLE RETURN SPRING SHOULD ALWAYS BE AT OPPOSITE END TO THE SOLENOID PLUNGER.

STEP 4



REVERSE SOLENOID AND REPLACE, ENSURING CORRECT PLACEMENT AND ALIGNMENT. WITH THE SOLENOID SEATED PROPERLY THE SHUTTLE SHOULD MOVE FREELY.

STEP 5



REPLACE LATCH ARM AND BLOCKING ARM (WITH SPRING)
 REPLACE BACK COVER PLATE
 REPLACE SUBCOVER
 * TEST PRIOR TO INSTALLATION*



www.adamsrite.com
 Phone: 800-626-7590
 800-872-3267

Fax: 866-582-4641
 800-232-7329

7100 EL-STRIKE FIELD CONVERSION

80-0180-472

Rev. C

Ecn 11955D

INSTALLATION INSTRUCTIONS

Date: 07/20/12

Appvd: MP

