



273 Branchport Avenue  
Long Branch, NJ 07740  
(800) 631-2148  
[www.cooperwheelock.com](http://www.cooperwheelock.com)

*Thank you for using our products.*

**INSTALLATION INSTRUCTIONS  
ECONOMY  
12VDC POWER SUPPLY**

*Use this product according to this instruction manual. Please keep this instruction manual for future reference.*

**MODEL NO.:** EPS-1205

**DESCRIPTION :**

Filtered 12VDC Power Supply designed to power Wheelock's AFT-100 AM/FM Tuner, or any 12VDC powered device requiring up to 500 mA of current, and with a polarized receptacle, as illustrated in Figure 1.

**SPECIFICATIONS :**

Output Voltage (Nominal):	12VDC
Output Voltage Range (Min.-Max.):	11.4VDC-18.4VDC
Input Voltage Range (Min.-Max.):	105VAC-129VAC, 60Hz
Maximum Output Current:	500mA
Maximum Ripple Voltage:	2.5V Peak To Peak
Duty Cycle	Continuous
Operating Temperature:	32 ° F (0 ° C) TO 120 ° F (49 ° C)
Output Termination:	Polarized Plug (See Figure 1.)

**UNPACKING :**

The unit was carefully checked before leaving the factory. Inspect the shipping container and unit carefully for indication of improper handling during shipping. If the unit has been damaged, save all packing materials and place a claim immediately with the distributor from whom the unit was purchased. If shipped directly to you, file an immediate claim to the carrier.

 **WARNING**

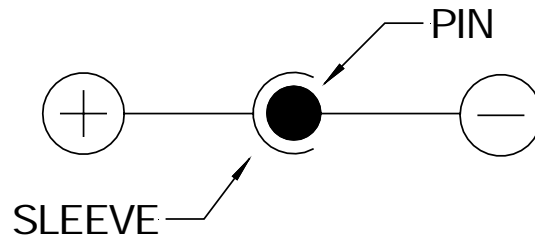
- 1. THIS DEVICE IS DESIGNED FOR INDOOR USE ONLY. DO NOT EXPOSE TO RAIN OR MOISTURE.**
- 2. THIS DEVICE IS NOT INTENDED FOR USE IN HAZARDOUS LOCATIONS AS DEFINED BY THE NATIONAL ELECTRICAL CODE (NEC) AND BY THE NATIONAL FIRE PROTECTION ASSOCIATION (NFPA).**
- 3. THERE ARE NO USER-REPLACEABLE PARTS WITHIN THE UNIT.**
- 4. THIS DEVICE IS INTENDED TO BE CORRECTLY ORIENTATED IN A VERTICAL OR FLOOR MOUNT POSITION.**

Copyright 2006 Cooper Wheelock, Inc. All rights reserved.

## INSTALLATION :

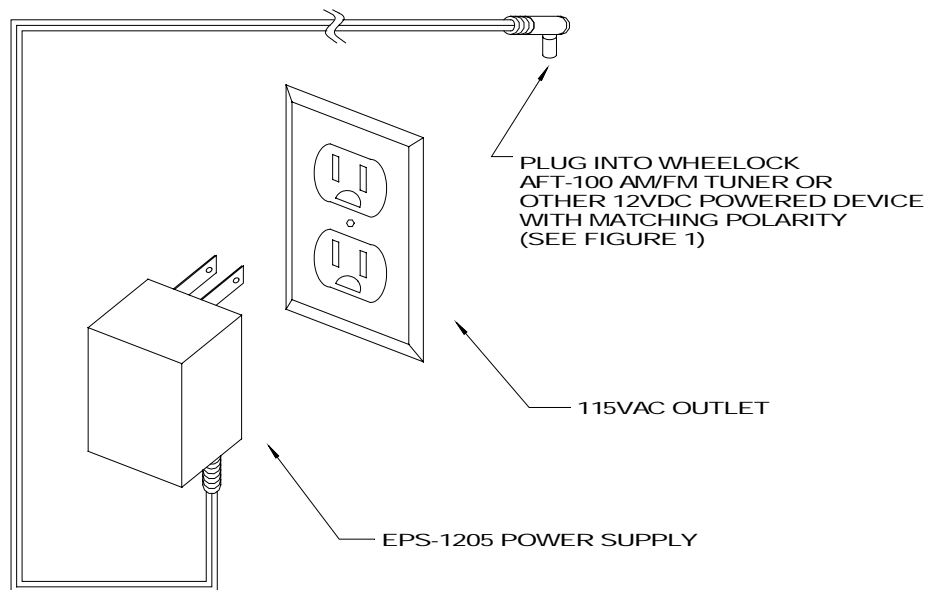
1. Be sure the receptacle polarity of the device to be powered by the EPS-1205, matches the EPS-1205 plug polarity, as shown in Figure 1.

*Figure 1: EPS-1205 Plug Polarity*



2. Plug the Power Supply cord into the 12VDC receptacle on the Wheelock AFT-100 AM/FM Tuner, or other 12VDC powered device.
3. Plug the Power Supply into a 115VAC, 60Hz power outlet.

*Figure 2: EPS-1205 Power Supply Installation*



**ANY MATERIAL EXTRAPOLATED FROM THIS DOCUMENT OR FROM COOPER WHEELOCK MANUALS OR OTHER DOCUMENTS DESCRIBING THE PRODUCT FOR USE IN PROMOTIONAL OR ADVERTISING CLAIMS, OR FOR ANY OTHER USE, INCLUDING DESCRIPTION OF THE PRODUCT'S APPLICATION, OPERATION, INSTALLATION AND TESTING IS USED AT THE SOLE RISK OF THE USER AND COOPER WHEELOCK WILL NOT HAVE ANY LIABILITY FOR SUCH USE.**

## *Limited Warranty*

Cooper Wheelock, Inc. products must be used within their published specifications and must be PROPERLY specified, applied, installed, operated, maintained, and operationally tested in accordance with these instructions at the time of installation and at least twice a year or more often in accordance with local, state and federal codes, regulations and laws. Specification, application, installation, operation, maintenance, and testing must be performed by qualified personnel for proper operation in accordance with all of the latest National Fire Protection Association (NFPA), Underwriters' Laboratories (UL), Underwriters' Laboratories of Canada (ULC), National Electrical Code (NEC), Occupational Safety and Health Administration (OSHA), local, state, county, province, district, federal and other applicable building and fire standards, guidelines, regulations, laws and codes including, but not limited to, all appendices and amendments and the requirements of the local authority having jurisdiction (AHJ). Cooper Wheelock, Inc. products when properly specified, applied, installed, operated, maintained, and operationally tested as provided above are warranted against mechanical and electrical defects for a period of three years from date of manufacture (as determined by date code). Correction of defects by Cooper Wheelock, Inc providing repairs or a replacement shall be at Cooper Wheelock, Inc.'s sole discretion and shall constitute fulfillment of all warranty obligations. The foregoing limited warranty shall immediately terminate in the event any part not furnished by Cooper Wheelock, Inc. is installed in the product. The foregoing limited warranty specifically excludes any software required for the operation of or included in a product. **COOPER WHEELOCK, INC. MAKES NO REPRESENTATION OR WARRANTY OF ANY OTHER KIND, EXPRESS, IMPLIED OR STATUTORY WHETHER AS TO MERCHANTABILITY, FITNESS FOR A PARTICULAR PURPOSE OR ANY OTHER MATTER.**

Users are solely responsible for determining whether a product is suitable for the user's purposes, or whether it will achieve the user's intended results. There is no warranty against damage resulting from misapplication, improper specification, abuse, accident, or other operating conditions beyond Cooper Wheelock, Inc.'s control.

Some Cooper Wheelock, Inc. products contain software. With respect to those products, Cooper Wheelock, Inc. does not warranty that the operation of the software will be uninterrupted or error-free or that the software will meet any other standard of performance, or that the functions or performance of the software will meet the user's requirements. Cooper Wheelock, Inc. shall not be liable for any delays, breakdowns, interruptions, loss, destruction, alteration, or other problems in the use of a product arising out of or caused by the software.

The liability of Cooper Wheelock, Inc. arising out of the supplying of a product, or its use, whether based on warranty, negligence, or otherwise, shall not in any case exceed the cost of correcting defects as stated in the limited warranty and upon expiration of the warranty period all such liability shall terminate. Cooper Wheelock, Inc. is not liable for labor costs incurred in removal, reinstallation, or for damage of any type whatsoever, including but not limited to, loss of profit or incidental or consequential damages. The foregoing shall constitute the sole remedy of the purchaser and the exclusive liability of Cooper Wheelock, Inc.

In no case will Cooper Wheelock, Inc.'s liability exceed the purchase price paid for a product.

## *Limitation of Liability*

Cooper Wheelock, Inc.'s liability on any claim of any kind, including negligence, breach of warranty, or otherwise, for any loss or damage resulting from, arising out of, or connected with any contract, or from the manufacture, sale, delivery, resale, repair or use of any product shall be limited to the price applicable to the product or part thereof which gives rise to the claim. Cooper Wheelock, Inc.'s liability on any claim of any kind shall cease immediately upon the installation in the product of any part not furnished by Cooper Wheelock, Inc. In no event shall Cooper Wheelock, Inc. be liable for any claim of any kind unless it is proven that our product was a direct cause of such claim. **FURTHER, IN NO EVENT, INCLUDING IN THE CASE OF A CLAIM OF NEGLIGENCE, SHALL COOPER WHEELOCK, INC. BE LIABLE FOR INCIDENTAL, INDIRECT, SPECIAL OR CONSEQUENTIAL DAMAGES.** Some states do not allow the exclusion or limitation of incidental or consequential damages, so the preceding limitation may not apply to all purchasers.

09/06