

* Try these other fine ELK products *

Magic Module Series

- MM443** Magic Module, 4 Input, 4 Output, Programmable
- MM447** Automation Controller w/Voice, Caddx Interface
- MV480** Recordable Voice Module, 400 Channels
- MKHOME1** Home Control Kit for Caddx NX Controls
- MK400** Starter Kit, Includes MM443 & MK485
- MK485** Programming Kit, MB485, Cables, Software
- MK410** X-10® Transceiver Kit, Programmed MM443
- MK420** iButton™ Access Kit w/ MM443, MA100, MA101
- MA100** iButton™ 'Touchkey' Reader & Interface Pack
- MA101** iButton™ 'Touchkeys', 10 pcs w/keyring holders
- MA290** Proximity / Wiegand Data Interface to MM443
- MB485** Data Bus Interface, RS232 to RS485
- MC100** Clock / Calendar Module for MM443
- ML8** Link Interface to Caddx NX Controls
- MT100** Temperature Sensor Module for MM443
- MM220** Magic Module, 2 Input, 2 Output, Programmable

Rust Free Sirens / Speakers

- 1RT** Speaker & Stainless Steel Enclosure
- 150RT** Siren & Stainless Steel Enclosure
- 155RT** Voice Siren in Stainless Steel Box

Speakers & Sirens

- 44** Speaker, 30 W, 8 Ohm Compact Horn
- 45** Siren, Compact Horn, 118db
- 55** Voice Siren, Compact Horn
- M120** Siren, Single Tone, 107db, Mini Horn
- SP15** Speaker, 15 watt, Small Horn
- SP30** Speaker, 30 watt, Horn
- SP35** Speaker, 20 watt, Interior
- SP40** Speaker, 40 watt, Horn
- SS15** Siren, Dual Tone, 110db, Horn
- SS30** Siren, Dual Tone, 120db, Horn
- SS36** Siren, Dual Tone, 105db, Interior

ECHO™ Sirens & Speakers

- 73** ECHO Speaker, 20 Watt, Interior
- 74** ECHO Dual Tone Siren, Interior
- 75** ECHO Voice Siren, Interior
- 870** ECHO Speaker, Self Amplified

Siren & Voice Drivers

- 100** High Performance Siren Driver
- 110** Voice Siren Driver, English & Spanish
- 120** Recordable Voice Module and Siren
- 124** Recordable Voice Module, 4 Channels

Surge Suppressors

- 950** Surge Suppressor, Phone & Power Line
- 951** Surge Suppressor, Phone - Single Line
- 955** Surge Suppressor, Phone - Dual Line

Relay Modules

- 912** Compact Relay, 12 Vdc, SPDT
- 912B** Heavy Duty Compact Relay, 12/24 Vdc, SPDT
- 924** Sensitive Relay, 12/24 Vdc, DPDT
- 941** Alarm Output Director
- 960** Delay Timer Relay, 1 sec. to 60 min.

Power Products

- 1240** Battery, Lead Acid, 12v, 5Ah
- 1270** Battery, Lead Acid, 12v, 8Ah
- 12100** Battery, Lead Acid, 12v, 12Ah
- 12170** Battery, Lead Acid, 12v, 18Ah
- 12250** Battery, Lead Acid, 12v, 25Ah
- P112** 12 Volts DC, 1 Amp Power Supply w/Enclosure
- P124** 24 Volts DC, 800mA Power Supply w/Enclosure
- P1216** 12 Volts DC, 1.5 Amp Power Supply
- P412** 12 Volts DC, 4 Amp Power Supply
- P624** Power Supply & Battery Charger
- PD9** Power Distribution Module
- 965** Low Battery Cutoff and Power Switch
- TRG1640** Transformer, 16.5VAC @ 40 VA
- TRG2440** Transformer, 24VAC @ 40 VA

Accessories

- 129** Computer Sound Card Interface
- 800** Audio Amplifier, 10 Watts
- 900-2** "B" Connectors, Unfilled, 500 pcs
- 902-2** "B" Connectors, Gel filled, 500 pcs
- 980** Telephone Line Fault Monitor
- 998** Warning Alarm System Decals
- 999** Double Sided Tape
- SL1** Strobe Light, 4 colors available
- WK1** Wall Mount Kit for SL1 Strobes

For more information contact your local Distributor or:
 ELK PRODUCTS, INC 828-397-4200 FAX 828-397-4415
<http://www.elkproducts.com> Email: info@elkproducts.com

Audio Amplifier

ELK-800

APPLICATION:

A compact, low cost audio amplifier designed for paging (public address) applications. The ELK-800 can be centrally or remotely installed. It operates on low voltage, thus saving money by requiring only 22-24 gauge telco or alarm type wire. It can drive multiple speakers and features short circuit protection and built-in volume adjust.



ELK-800

Audio Amplifier



FEATURES:

- Small, Compact Public Address Amplifier.
- Expanded Telephone System Paging.
- Amplified Telephone Ringer Where Speaker Tone Signaling Is Available.
- Eliminates Large Bulky Amplifiers.
- No Need For 70 Volt Line Transformers.
- Uses Inexpensive 22-24 AWG Wire.
- Drives Ordinary Horn Or Cone Speakers.
- Built-in Volume Control.
- Lifetime Limited Warranty. Made in the USA.

SPECIFICATIONS:

- Output Rating: 10 Watts.**
- Speaker (Output) Load: 2 to 16 Ohms.**
- Power Input: 12 to 24 Volts AC or DC**
- Current Draw: 50 to 800 mA
- Input Impedance: 1000 Ohms nominal.
- Size: 4.5" x 3" x 1.2".

Features and Specifications subject to change without notice.

**NOTE: The ELK-800 is primarily designed for short duration (intermittent) paging applications. For long durations, such as playing music, you may need to reduce the volume output, or lower the power input voltage, or lower the speaker loading in order to keep the ELK-800 from overloading and shutting down.



828-397-4200 Voice
 828-397-4415 Fax
<http://www.elkproducts.com>
 email: info@elkproducts.com
 PO Box 100 • Hwy. 70W • Hildebran, NC 28637 • USA

Instructions Printed On Inside

ELK-800 v.2 Installation

Wiring Connections

POWER: Connect to a good quality 12 to 24 volts A.C. or D.C.** Power Source. No Polarity. D.C. Power is recommended for a cleaner output.

****NOTE:** The ELK-800 is primarily designed for short duration (intermittent) paging applications. For long durations, such as playing music, you may need to reduce the volume output, or lower the power input voltage, or lower the speaker loading in order to keep the ELK-800 from overloading and shutting down.

INPUT: Connect an audio input source. ie: microphone, telephone PBX or KEY system paging output, etc., even an ordinary single line phone set (see diagram below).

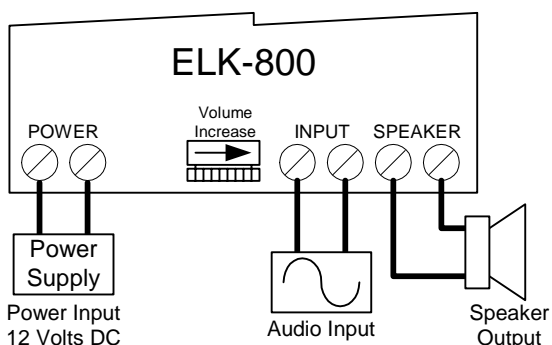
SPEAKER: Two (2) ohm maximum load. Speakers may be series/parallel wired for multiple speaker combinations up to 16 speakers.**

Volume Control

Turn the volume control clockwise (CW) to increase volume. Adjust to a comfortable level.

Power Supply Wire Sizing

Number of Speakers	Wire Length (ft)	
	24 AWG	22 AWG
4	100	160
2	200	320
1	400	640



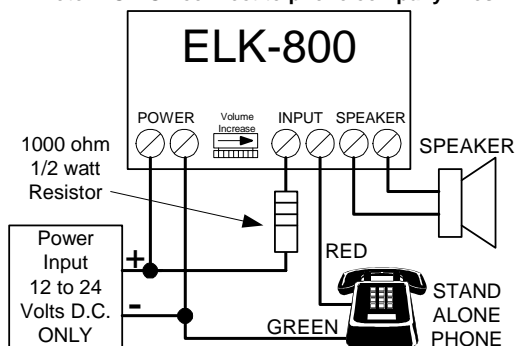
Input Wire Sizing

When using a remote power supply and 24 AWG wire, the length of the audio wire should be limited to 3000 feet with a maximum of four (4) ELK-800 amplifiers connected. Standard telephone twisted pair wire is a good choice for the audio wire run.

Recommended Speaker Spacing for Paging Applications

Ambient Sound Level	Location	Speaker Spacing
Quiet 50 to 65db	Offices	120 feet (14,400 sq. ft.)
Moderate 65 to 80db	Light Manufacturing	90 feet (8,100 sq. ft.)
Noisy 80 to 90 db	Heavy Manufacturing	60 feet (3,600 sq. ft.)
Very Noisy +90db		40 feet (1,600 sq. ft.)

Basic Public Address "PA" System
Note: DO NOT connect to phone company lines



Example: Three Speakers on an ELK-800
Total Resistance = 6 OHMS

