

Model EL4500U (for use with Network cable)

Installation and Operation Manual

Includes one ET4500U Transmitter and one ER1500U Receiver



Reduce risk of fire or electrical shock. Do not expose this product to rain or moisture.

Note: This installation should be made by a qualified service person and conform with local codes.

Introduction

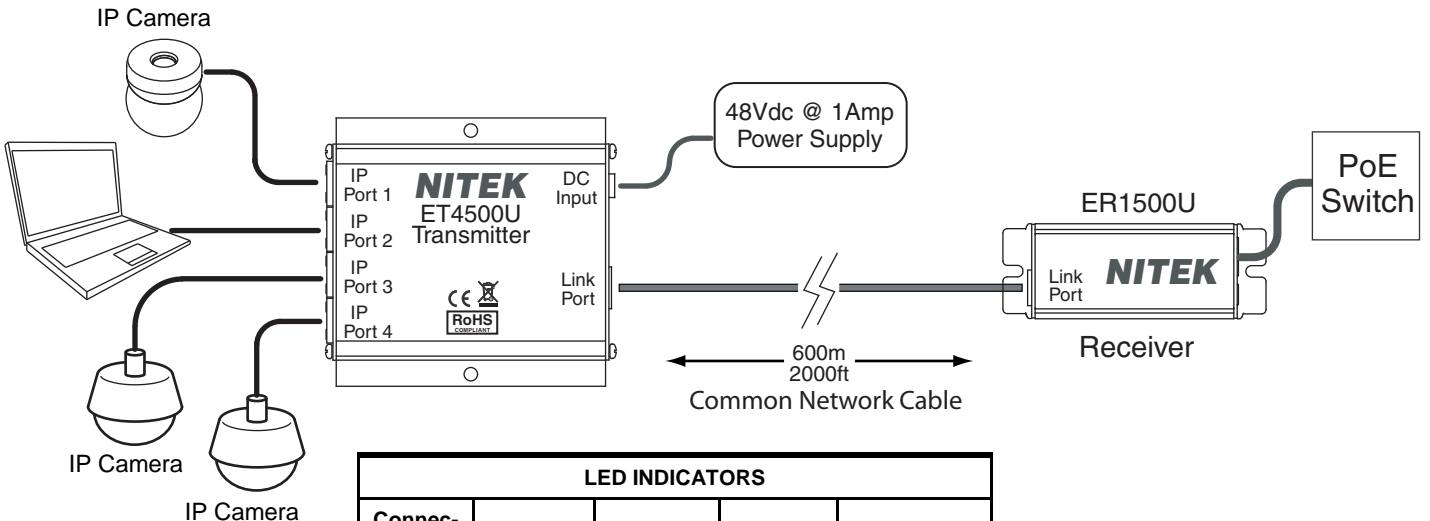
The EL4500U system uses a four channel transmitter and a single channel receiver to extend Ethernet & PoE. The EL4500U can be used on new or existing cable and is designed to greatly extend the distances to which IP cameras and network devices can operate. In addition to network communication the EL4500U is ideal for PoE applications. It allows all power to flow from the head end for most camera applications. In unique cases where high power PoE is needed it can inject up to 25 watts of power at the transmitter end.

TYPE 1 Installation

Install EL4500U with a PoE Source Switch and IP Cameras

Refer to the diagram below when installing. A common hookup involves a length of network cable up to 2,000ft / 600m, the EL4500U transmitter and receiver pairs (ET4500U & ER1500U), an IP camera or other peripheral network device (both universally referred to as the Power Device or PD), and a 3rd party PoE network switch or Power Sourcing Equipment/PSE.

To hook up the EL4500U begin by connecting the ER1500U to the Power Sourcing Equipment, usually a switch (RJ45-to-RJ45) via a CAT5/CAT6 patch cable. Next connect the ER1500U "Link Port" to category cable running from the ER1500U to the ET4500U. The IP cameras interface with the ET4500C via RJ45 and a CAT5/CAT6 patch cords. Power for the IP Cameras is provided from the PS48 power supply connected to the ET4500U.



LED INDICATORS				
Connector	LED	OFF	ON	FLASHING
Network Port	PoE Out	No PoE Power Out	PoE Power Good	
	Link Status	No Ethernet Link	Ethernet Link Good	
Link Port	Power	No Power	Power Good	
	10/100	No Link	100Mb	10Mb

Patent Pending



<h1>NITEK®</h1>	USA	5410 Newport Drive, # 24 Rolling Meadows, IL 60008 Phone: (847) 259-8900 Fax: (847) 259-1300 E-mail: info@nitek.net WWW.NITEK.NET	EUROPE	De Aar 99 8253 PN Dronten The Netherlands Tel: +31(0) 321 320 043 E-mail: info@nitekeurope.net WWW.NITEK.NET
-----------------	------------	---	---------------	--