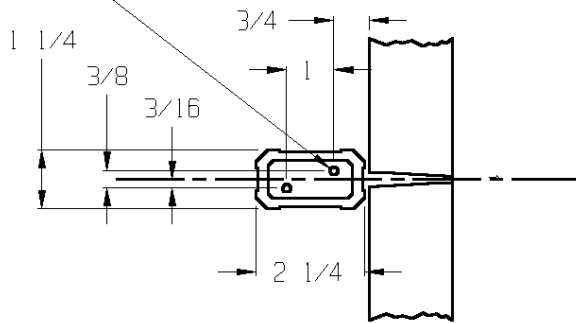


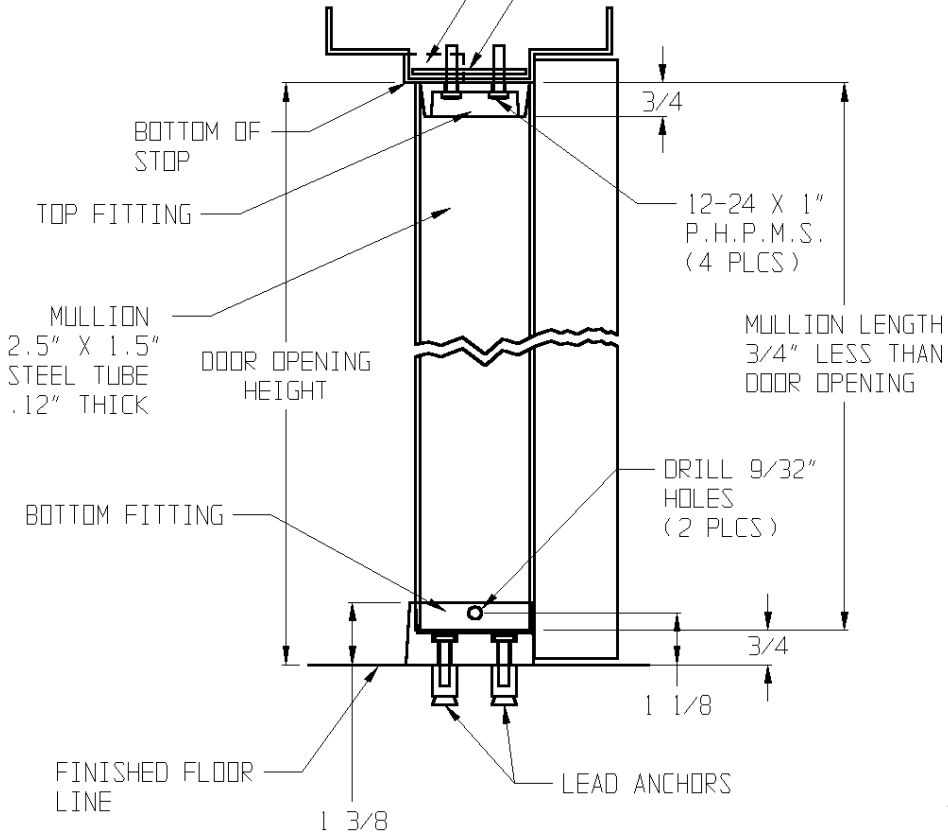
DRILL 11/64" (#16) HOLES
AND TAP 12-24 THD (2 PLCS)



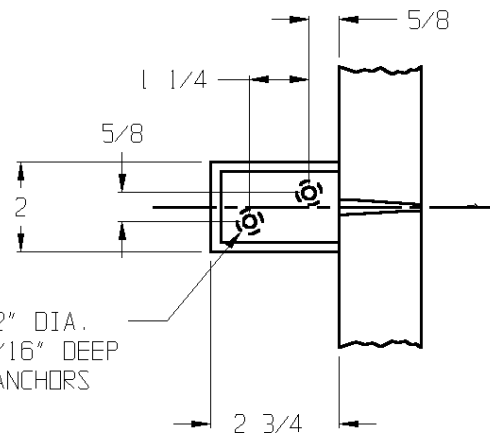
TOP FITTING

IF STOP WIDTH IS LESS THAN
2 1/2" WIDE, BLOCKING MUST
BE SUPPLIED BY OTHERS

REINFORCEMENT BY
FRAME MANUFACTURER



BOTTOM FITTING



DRILL 17/32" DIA.
HOLES X 15/16" DEEP
FOR 12-24 ANCHORS
(2 PLCS)

ADAMS RITE MANUFACTURING COMPANY
CITY OF INDUSTRY, CA 91749

3889 REMOVABLE MULLION
FOR HOLLOW METAL OR WOOD DOORS

REF. INSTRUCTION SHEET NO.:
80-0180-221

TEMPLATE NO.:
40035-0

DATE:
03-02-95